

Description

The Model TWS is a two-wire loop powered signal transmitter for use with strain gage Target inline, insertion or sanitary flowmeters. The Model TWS provides a 4-20 mA current loop signal that is proportional to the flow rate squared. The Model TWS can be integrally mounted or remote mounted up to 50 ft.

Technical Information

Functional Specifications

Ambient Temperature	-20° to 140°F (-29° to 60°C)
Power Input	12 to 36 VDC (2 - wire)
Load Impedance (ohm)	= 50 x (VDC supply -12)
Outputs	4-20 mA DC proportional to flow rate squared 4 mA represents zero flow and 20 mA is full-scale flow
Display	None
Low Flow Cutoff	Factory set based on flowmeter turndown
Enclosure Protection	NEMA 4X/IP 66
Response Time	0.1 sec undamped

Performance Specifications

Accuracy	± 0.1% full scale
Repeatability	± 0.1% of point
Enclosure Protection	NEMA 4X/IP66
Agency Approvals	CSA Class I, Groups B,C, D Class II, Groups E, F, G EEx d IIC

Functional Specifications

Materials of Construction	
Case	Polyester coated aluminum
Electrical Connection	3/4" FNPT

Dimensions (inch)

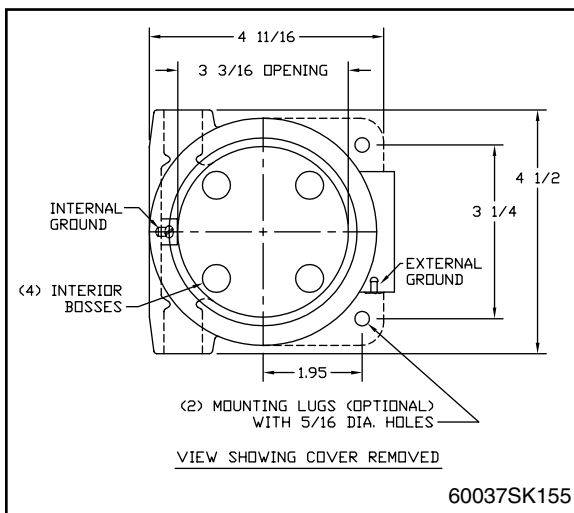


Figure 1

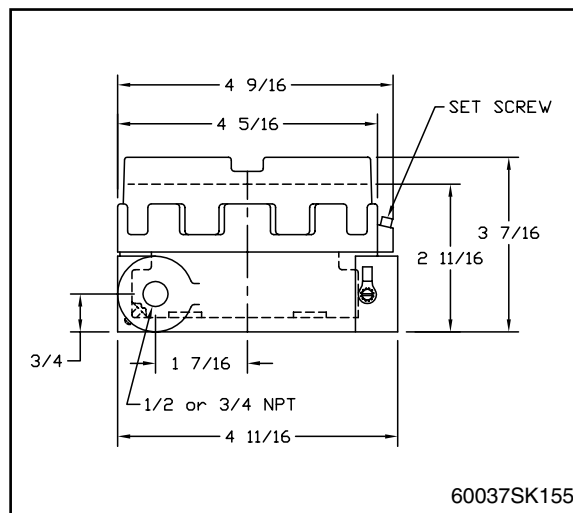


Figure 2

Ordering Information

Specify model number, remote or integral mounting and type of output at the time of ordering.