

Description

The Model TWL is a two-wire loop powered signal transmitter for use with strain gage Target inline, insertion or sanitary flowmeters. The Model TWL provides a 4-20 mA linear loop signal that is proportional to the flow rate. The Model TWL can be integrally mounted or remote mounted up to 50 ft.

Functional Specifications

Ambient Temperature	-20° to 140°F (-29° to 60°C)
Power Input	12 to 36 VDC (2 - wire)
Load Impedance (ohm)	= 50 x (VDC supply – 12)
Outputs	4-20 mA DC proportional to flow rate 4 mA represents zero flow and 20 mA is full-scale flow
Display	None
Low Flow Cutoff	Factory set based on flowmeter turndown
Response Time	0.1 sec undamped

Performance Specifications

Accuracy	± 0.1% full scale
Repeatability	± 0.1% of point
Enclosure Protection	NEMA 4X/IP 66
Agency Approvals	CSA Class I, Groups B,C, D Class II, Groups E, F, G EEx d IIC

Physical Specifications

Materials of Construction	
Case	Polyester coated aluminum
Electrical Connection	3/4" FNPT

Dimensions (inch)

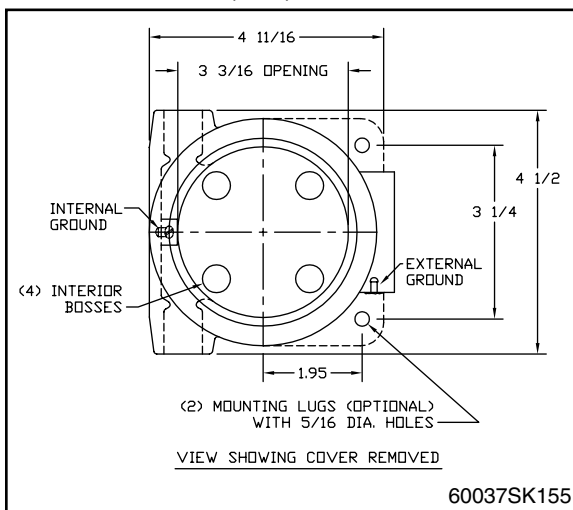


Figure 1

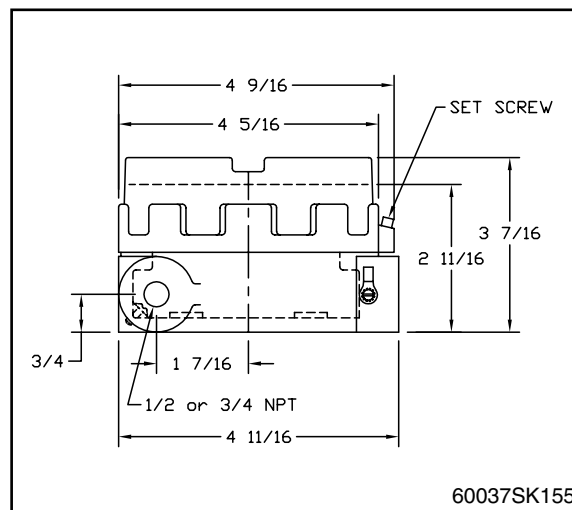


Figure 2

Ordering Information

Specify model number, remote or integral mounting and type of output at the time of ordering.