

Description

Provides electrical contact closure upon completion of batching cycle and continuous digital totalized readings. The 6 inch dial face with gasketed viewing glass display, contains 5 digits to display totalization and can be configured to display any standard engineering unit (i.e. U.S. gallons, Imp. gallons, pounds, and liters). A large sweep hand is located in the center of the register. The sweep hand is set to the desired quantity by a hand set knob and manually re-set for each batch. When the dial hand reaches zero, the switch is activated. The dial hand indicates the quantity remaining to complete the batch.

Mounts to

Meter Type	Size	Meter Materials
Nutating Disc	1" - 2 1/2"	Teflon® Coated Cast Iron
	1" - 2"	Bronze
Oscillating Piston	1" or 2"	Stainless Steel

Technical Information
Functional Specifications

Registration	U.S. gallons, Imp. gallons, pounds, liters, etc.
Value per Rev	1/10/100/other/1000 max
Operation	Mechanical drive
Sweep Hand	Re-set for batching
Display Outputs	Digital Non-resettable Total with sweep hand
Display Digits	5
Microswitch	Form C Dry Contact Rating: 10A @ 120 VAC, SPDT
Temperature	Use vertical extension if liquid > 250° F (121° C)



Figure 1. R-31C Electriccontact Batch/Totalizer Register in Explosion Proof Enclosure

Physical Specifications

Materials of Construction	
Case	Teflon® coated aluminum
Frame	Zinc
Shafts	Brass
Gears	Brass
Bearings	Graphite Bronze
Number Wheels	Brass
Pointer	Aluminum
Dial	Aluminum
Adapter	Aluminum
Mounting Position	Top/Horizontal Vertical Dial Face
Enclosure	Explosion Proof

Ordering Information

	MODEL	3	1	A	1
Switch	_____				
A10 Amp @120 VAC (explosion proof)	_____				
Engineering Units*	_____				
1Gallons	_____				
2Pounds	_____				
3Cubic Feet	_____				
4Liters	_____				
5Imperial Gallons	_____				
6Barrels	_____				
7Other	_____				
Unit Value	_____				
A1	_____				
B10	_____				
C100	_____				
D1000	_____				
EOther (many other ranges available as std.)	_____				
Switch Type	_____				
1Type C (operate at zero setting)	_____				
Register Extension	_____				
0No	_____				
16"	_____				
212"	_____				

*A multiplying factor is used with totalizer reading

Dimensions (inch)

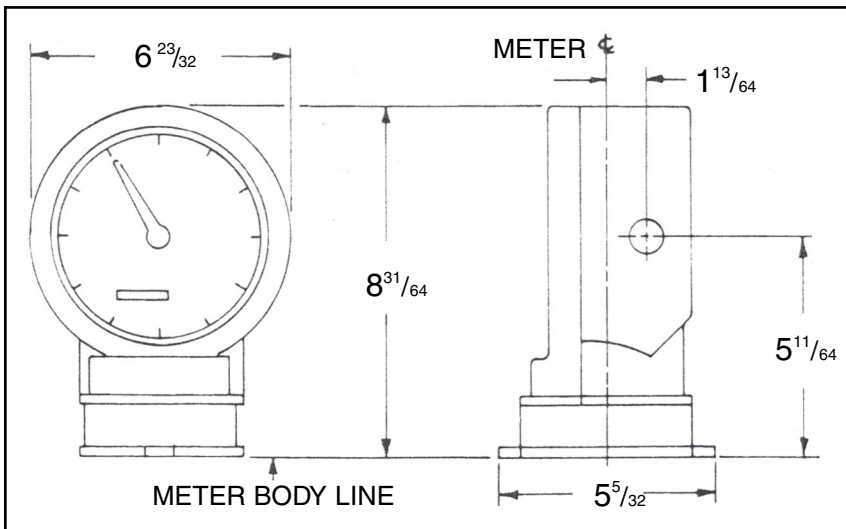


Figure 2