

Description

Transmits a scaled electrical pulse signal (switch closure type) for each discrete unit of liquid volume metered during a batching cycle and continuous digital totalized readings. The 6 inch dial face with gasketed viewing glass display, contains 5 digits to display totalization and can be configured to display any standard engineering unit (i.e. U.S. gallons, Imp. gallons, pounds, and liters). A large sweep hand is located in the center of the register. The sweep hand can not be reset. A microswitch is activated each revolution of the sweep hand. The value of the pulse is equal to the range of the dial face. Variations are possible by adding lobes to the cam (up to 10) and or changing the range of the dial face. Maximum sweep hand speed is 60 RPM.

Mounts to

Meter Type	Size	Meter Materials
Nutating Disc	1" - 2 1/2"	Teflon® Coated Cast Iron
	1" - 2"	Bronze
Oscillating Piston	1" or 2"	Stainless Steel

Technical Information

Functional Specifications

Registration	U.S. gallons, Imp. gallons, pounds, liters, etc.
Value per Rev	1/10/100/1000/other
Operation	Mechanical drive
Sweep Hand	Non resettable
Display Outputs	Digital Non-resettable Total with sweep hand
Display Digits	5
Microswitch	Form C Dry Contact Rating: 10A@ 120 VAC, SPDT/120 or 600 pulses/min
Temperature	Use vertical extension if liquid > 250° F (121° C)



Figure 1. R-30D Pulse Transmitter Batch/Totalizer Register

Physical Specifications

Materials of Construction	
Case	Teflon® coated aluminum
Frame	Zinc
Shafts	Brass
Gears	Brass
Bearings	Graphite Bronze
Number Wheels	Brass
Pointer	Aluminum
Dial	Aluminum
Adapter	Aluminum
Mounting Position	Top/Horizontal Vertical Dial Face

Ordering Information

MODEL 3 0 3

Switch _____

A 120 pulses/min. 10 amp @ 120VAC SPDT (non-explosion proof)
 B 600 pulses/min. 10 amp @ 120VAC SPDT (non-explosion proof)

Engineering Units _____

1 Gallons
 2 Pounds
 3 Cubic Feet
 4 Liters
 5 Imperial Gallons
 6 Barrels
 7 Other

Unit Value _____

A 1
 B 10
 C 100
 D 1000
 E Other (many other ranges available as std.)

Switch Type _____

3 Type D (operate as a pulse transmitter)

Register Extension _____

0 No
 1 6"
 2 12"

**A multiplying factor is used with totalizer reading*

Dimensions (inch)

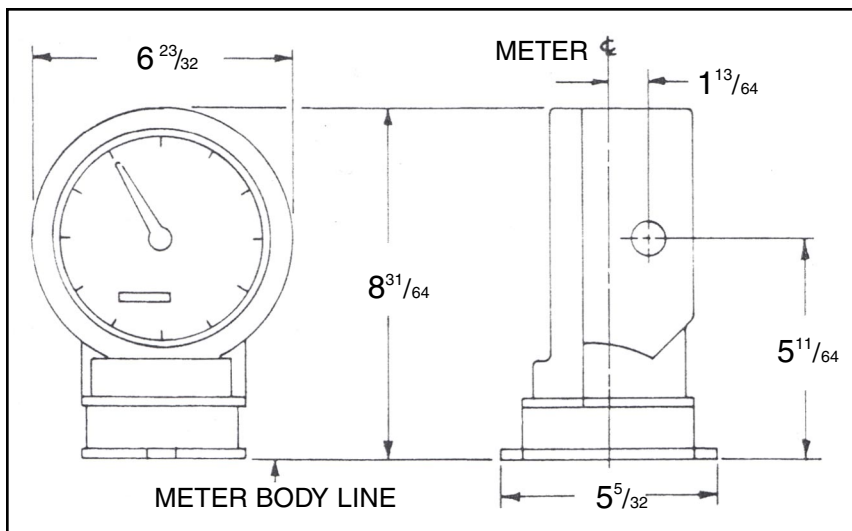


Figure 2