

**Description**

Provides electrical contact closure upon completion of batching cycle and continuous digital totalized readings. The 6 inch dial face with gasketed viewing glass display, contains 5 digits to display totalization and can be configured to display any standard engineering unit (i.e. U.S. gallons, Imp. gallons, pounds, and liters). A large sweep hand is located in the center of the register. The sweep hand is set at the zero position by a hand set knob and manually re-set for each batch. When the dial hand reaches the fixed quantity setting, the switch is activated. The fixed quantity is factory set to your specifications.

Mounts to

Meter Type	Size	Meter Materials
Nutating Disc	1" - 2 1/2"	Teflon® Coated Cast Iron
	1" - 2"	Bronze
Oscillating Piston	1" or 2"	Stainless Steel

**Technical Information**  
**Functional Specifications**

Registration	U.S. gallons, Imp. gallons, pounds, liters, etc.
Value per Rev	1/10/100/1000/other
Operation	Mechanical drive
Sweep Hand	Re-set for batching
Display Outputs	Digital Non-resettable Total with sweep hand
Display Digits	5
Microswitch	Form C Dry Contact Rating: 10A @ 120 VAC, SPDT
Temperature	Use vertical extension if liquid > 250° F (121° C)



**Figure 1. R-30A Electriccontact Batch/Totalizer Register**

**Physical Specifications**

Materials of Construction	
Case	Teflon® coated aluminum
Frame	Zinc
Shafts	Brass
Gears	Brass
Bearings	Graphite Bronze
Number Wheels	Brass
Pointer	Aluminum
Dial	Aluminum
Adapter	Aluminum
Mounting Position	Top/Horizontal Vertical Dial Face

## Ordering Information

				<b>MODEL 3 0 A</b>				<b>2</b>
<b>Switch</b>	A.....10 Amps @ 120 VAC or 2 Amps @ 600 VAC SPDT							
<b>Engineering Units*</b>	1 .....Gallons 2 .....Pounds 3 .....Cubic Feet 4 .....Liters 5 .....Imperial Gallons 6 .....Barrels 7 .....Other							
<b>Unit Value</b>	A.....1 B.....10 C.....100 D.....1000 E.....Other (many other ranges available as std.)							
<b>Switch Type</b>	2 .....Type A (operate at some fixed quantity setting)							
<b>Register Extension</b>	0 .....No 1 .....6" 2 .....12"							

*\*A multiplying factor is used with totalizer reading*

## Dimensions (inch)

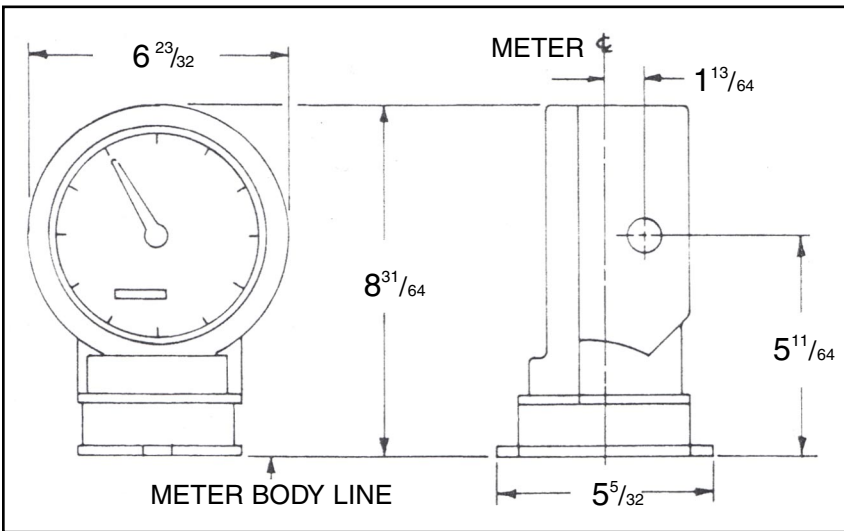


Figure 2