

Description

Transmits a high frequency scaled electrical pulse signal for each discrete unit of liquid volume metered. Transmitter is magnetically coupled to the meter shaft and uses an optical encoder for CW or CCW shaft rotation.

Mounts to

Meter Type	Size	Meter Materials
Nutating Disc	¾" - 2 ½"	Teflon® Coated Cast Iron
	1" - 2"	Bronze Bronze
Oscillating Piston	1" or 2"	Stainless Steel

Technical Information

Functional Specifications

Registration	No display
Operation	Magnetically coupled drive
Power Supply	12-24 VDC
Power Consumption	0.375 Watts at 15 VDC
Output Signal	12 to 15 VDC , 70 microseconds square pulse nominal @ 15 VDC Open collector: 0 to supplied voltage, internal 10 K/¼ Watts Pull up resistor option supplied
Temperature	Use vertical extension if liquid > 250° F (121° C)



Figure 1. R-25 Pulse Transmitter with Explosion Proof Enclosure

Physical Specifications

Materials of Construction	
Case	Aluminum
Mounting Position	Top, horizontal
Enclosure	Explosion Proof, Watertight
Electrical Connection	½" FNPT Qty = 4
Signal Wiring	18 gauge 3 or 4 conductor shielded

Ordering Information

MODEL 2 5

Engineering Units	_____
1Gallons
2Pounds
3Imperial Gallons
4Liters
9Special
Register Extension	_____
0No
16"
212"

From the tables below, select meter size, range, and K-factor.

Note: These K-factors are calculated for ideal conditions. Wear of any parts cannot be anticipated. For critical applications, the meter should be recalibrated to establish an exact K-factor for that meter

NUTATING DISC			
Size	GPM	Ratio	K-Factor Pulses/Gallon
¾"	.5 - 5	256:1	459
		64:1	1836
1"	1 - 20	125:1	692
		25:1	3463
		5:1	17316
1 ¼"	2 - 30	125:1	347
		25:1	1735
		5:1	8676
1 ½"	3 - 50	125:1	173
		25:1	869
		5:1	4347
2"	5 - 100	125:1	78
		25:1	390
		5:1	2600
2 ½"	8 - 160	125:1	42
		25:1	391
		5:1	1953

Table 1

OSCILLATING PISTON			
Size	GPM	Ratio	K-Factor Pulses/Gallon
1"	7-70	125:1	148
		25:1	738
		5:1	3688
2"	15-150	125:1	64
		25:1	318
		5:1	1590

Table 2

Dimensions

(inch)

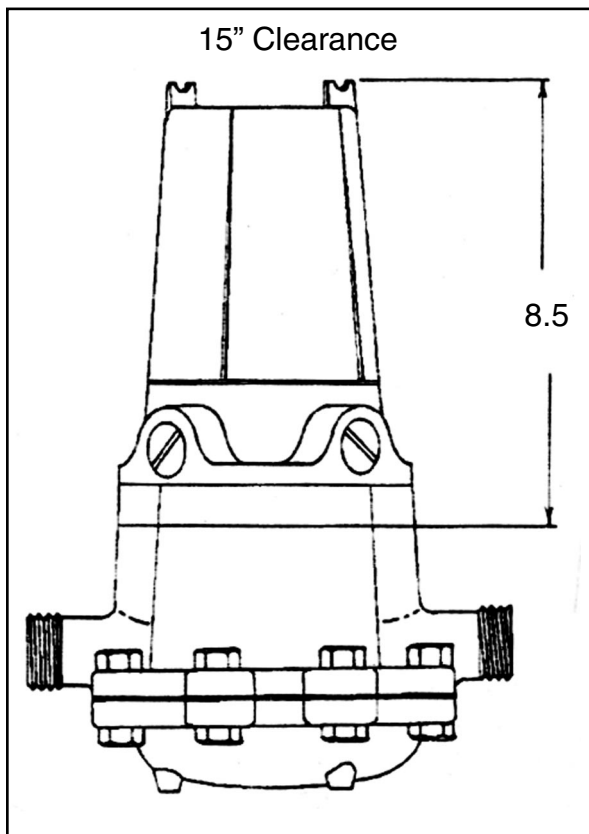


Figure 2