

Description

Provides continuous resettable digital totalized readings. Transmits a scaled electrical pulse signal (switch closure type) for each discrete unit of liquid volume metered. The display contains 5 re-settable digits to display totalization and 8 digits for continuous totalization. The face plate can be configured to display any standard engineering unit (i.e. U.S. gallons, Imp. gallons, pounds, and liters).

Mounts to

Meter Type	Size	Meter Materials
Nutating Disc	1" - 2 1/2"	Teflon® Coated Cast Iron
	1" - 2"	Bronze
Oscillating Piston	1" or 2"	Stainless Steel



Figure 1. R-22C Explosion Proof Mechanical Totalizing Register with Pulse Transmitter

Technical Information
Functional Specifications

Registration	U.S. gallons, Imp. gallons, pounds, liters, etc.
Operation	Mechanical drive
Power Supply	10-15 VDC
Power Consumption	0.105 Watts at 15 VDC
Output Signal	10 to 15 VDC, square pulse
Pulse Rate	10 pulses/unit
Display Outputs	5 digit re-settable total and 8 digit total
Display digits	5 and 8
Temperature	Use vertical extension if liquid > 250° F (121° C)
Agency Approvals	UL and CSA Class I Division I Group D

Physical Specifications

Materials of Construction	
Case	Aluminum
Number Wheels	Acetal Resin
Face Plate	Plastic
Gears	Brass
Mounting Position	Top/Horizontal Vertical Dial Face

Ordering Information

MODEL 2 2 C

Engineering Units	_____
1Gallons
2Pounds
3Imperial Gallons
4Liters
5Special
Unit Value	_____
A0.1
B1
C10
Register Extension	_____
0No
16"
212"

Dimensions

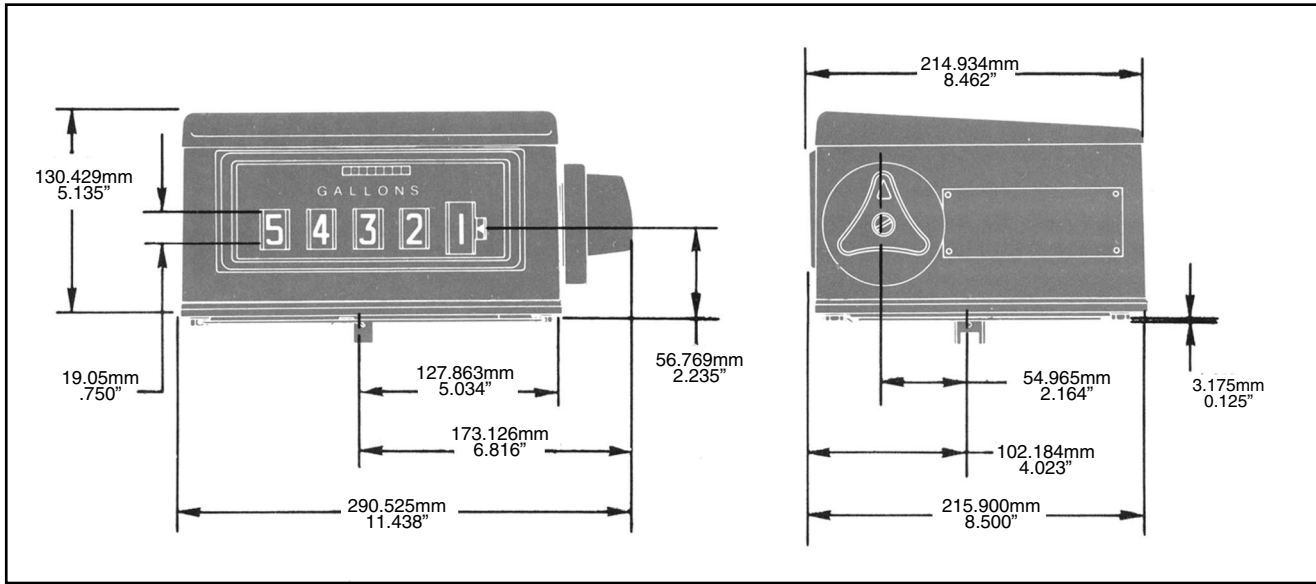


Figure 2

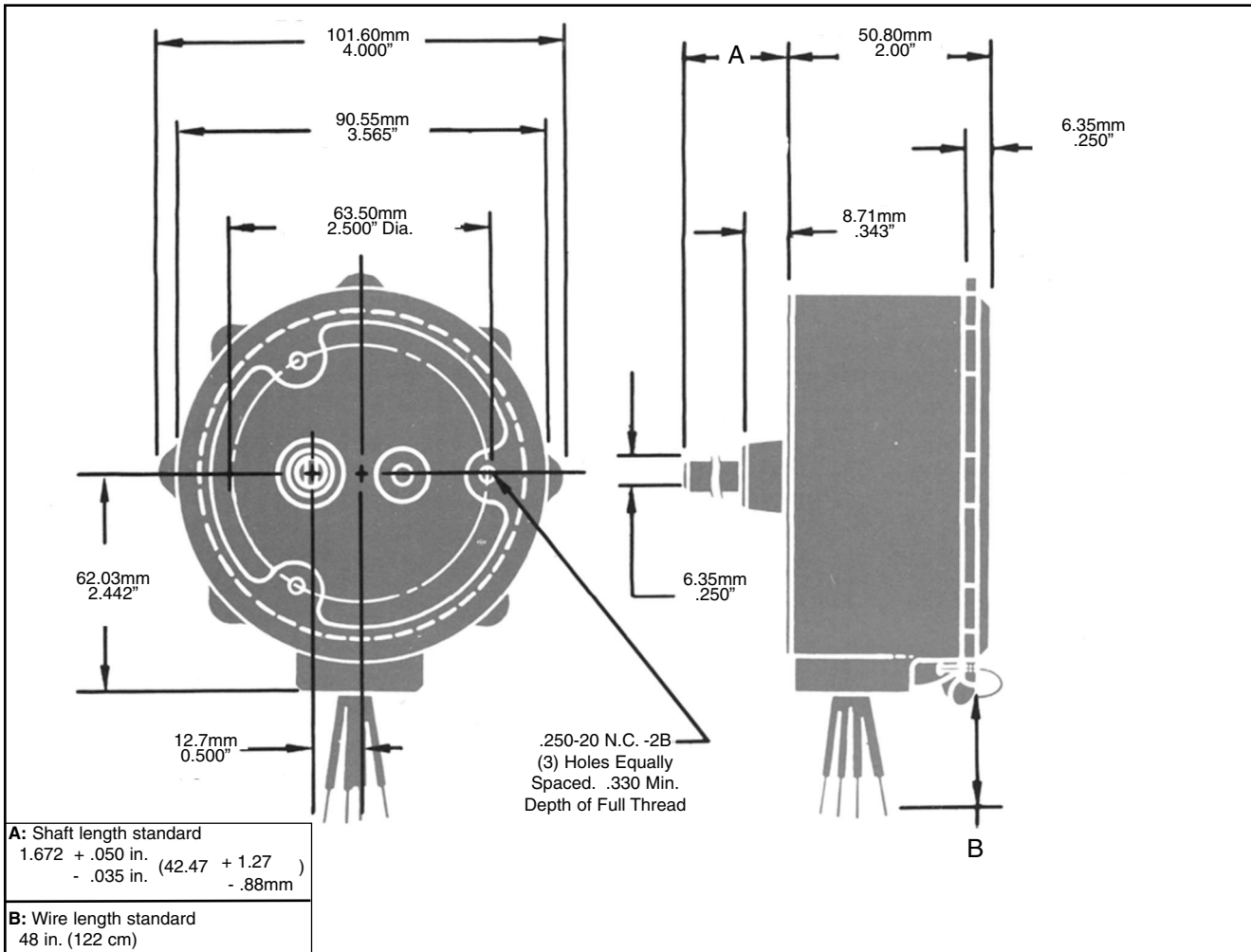


Figure 3