

Description

Provides continuous re-settable digital totalized readings. Transmits a scaled electrical pulse signal (switch closure type) for each discrete unit of liquid volume metered. The display contains 5 resettable digits to display totalization and 8 digits for continuous totalization. The face plate can be configured to display any standard engineering unit (i.e. U.S. gallons, Imp. gallons, pounds, and liters).

Mounts to

Meter Type	Size	Meter Materials
Nutating Disc	1" - 2 1/2"	Teflon® Coated Cast Iron
	1" - 2"	Bronze
Oscillating Piston	1" or 2"	Stainless Steel



Figure 1. R-22B Mechanical Totalizing Register with Pulse Transmitter

Technical Information
Functional Specifications

Registration	U.S. gallons, Imp. gallons, pounds, liters, etc.
Operation	Mechanical drive
Reed Switch	Form A Dry Contact Resistive: 50 VA, 3.0 Amp, not to exceed 250 VDC
Reed Switch Rate	1 pulse/unit
Display Outputs	5 digit re-settable Total and 8 digit Total
Display Digits	5 and 8
Temperature	Use vertical extension if liquid > 250° F (121° C)
Agency Approvals	UL and CSA Class I Division I Group D

Physical Specifications

Materials of Construction	
Case	Aluminum
Number Wheels	Acetal Resin
Face Plate	Plastic
Gears	Brass
Mounting Position	Top/Horizontal Vertical Dial Face

Ordering Information

MODEL 2 2 B

Engineering Units	1Gallons	2Pounds	3Imperial Gallons	4Liters	9Special
Unit Value	A0.1	B1	C10		
Register Extension	0No	16"	212"		

Dimensions

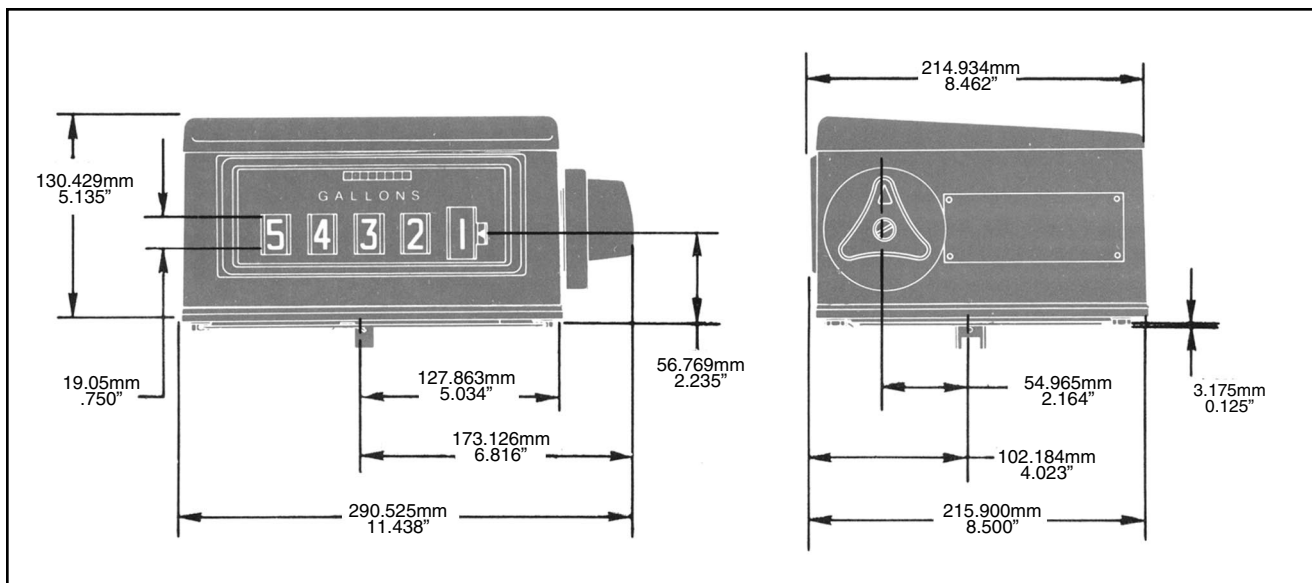


Figure 2

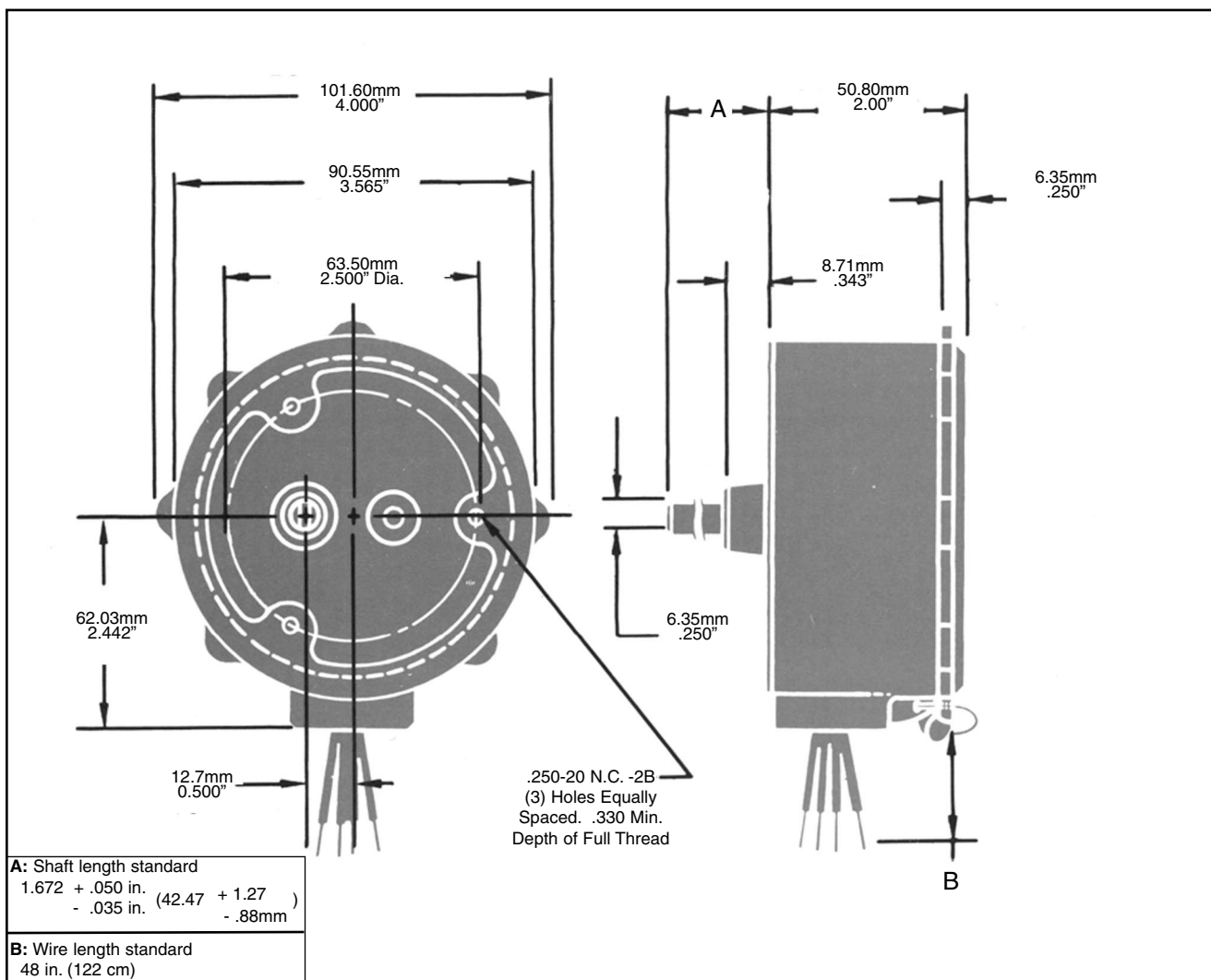


Figure 3