

Description

Provides continuous re-settable digital totalized readings. The display contains 5 re-settable digits to display totalization and 8 digits for continuous totalization. The face plate can be configured to display any standard engineering unit (i.e. U.S. gallons, Imp. gallons, pounds, and liters).

Mounts to

Meter Type	Size	Meter Materials
Nutating Disc	1" - 2 1/2"	Teflon® Coated Cast Iron
	1" - 2"	Bronze
Oscillating Piston	1" or 2"	Stainless Steel



Figure 1. R-22A Mechanical Totalizing Register

Technical Information
Functional Specifications

Registration	U.S. gallons, Imp. gallons, pounds, liters, etc.
Operation	Mechanical drive
Display Outputs	5 digit re-settable total and 8 digit total
Display Digits	5 and 8
Temperature	Use vertical extension if liquid > 250° F (121° C)

Physical Specifications

Materials of Construction	
Case	Aluminum
Number Wheels	Acetal Resin
Face Plate	Plastic
Gears	Brass
Mounting Position	Top/Horizontal Vertical Dial Face

Dimensions

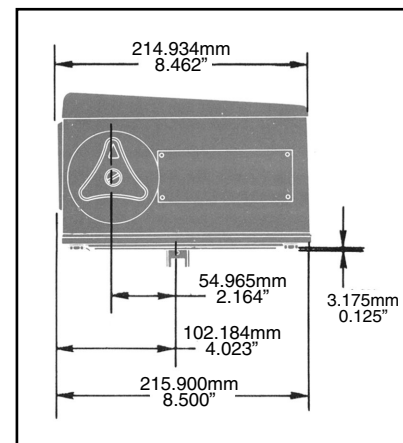


Figure 2

Ordering Information

MODEL 2 2

Engineering Units	_____	_____	_____
1	Gallons		
2	Pounds		
3	Imperial Gallons		
4	Liters		
9	Special		
Unit Value	_____	_____	_____
A	0.1		
B	1		
C	10		
Register Extension	_____	_____	_____
0	No		
1	6"		
2	12"		

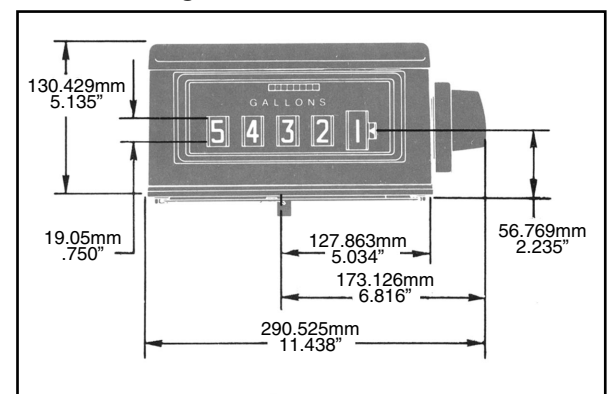


Figure 3