

Description

Provides manual batching and continuous digital totalized readings. The 6 inch dial face with gasketed viewing glass display, contains 5 digits to display totalization and can be configured to display any standard engineering unit (i.e. U.S. gallons, Imp. gallons, pounds, and liters). A large sweep hand is located in the center of the register which is mounted to the meter case using two screws. The sweep hand is set at the zero position by a hand set knob and manual re-set for each batch.

Mounts to

| Meter Type | Size | Meter Materials |
|--------------------|-------------|--------------------------|
| Nutating Disc | 1" - 2 1/2" | Teflon® Coated Cast Iron |
| | 1" - 2" | Bronze |
| Oscillating Piston | 1" or 2" | Stainless Steel |

Technical Information

Functional Specifications

| | |
|-----------------|--|
| Registration | U.S. gallons, Imp. gallons, pounds, liters, etc. |
| Value per Rev | 1/10/100/1000/other |
| Operation | Mechanical drive |
| Sweep Hand | Reset for batching |
| Display Outputs | Digital non-resettable total with sweep hand |
| Display Digits | 5 |
| Temperature | Use vertical extension if liquid > 250° F (121° C) |

Physical Specifications

| Materials of Construction | |
|---------------------------|--------------------------------------|
| Case | Teflon® coated aluminum |
| Frame | Zinc |
| Shafts | Brass |
| Gears | Brass |
| Bearings | Graphite Bronze |
| Number Wheels | Brass |
| Pointer | Aluminum |
| Dial | Aluminum |
| Adapter | Aluminum |
| Mounting Position | Top/Horizontal Vertical Dial Face |



Figure 1. R-20 Manual Batch/Totalizer Register

Ordering Information

MODEL 2 0

Engineering Units _____

1Gallons

2Pounds

3Cubic Feet

4Liters

5Imperial Gallons

6Barrels

7Other

Unit Value _____

A1

B10

C100

DOther (consult factory)

Register Extension _____

0No

16"

212"

Dimensions (inch)

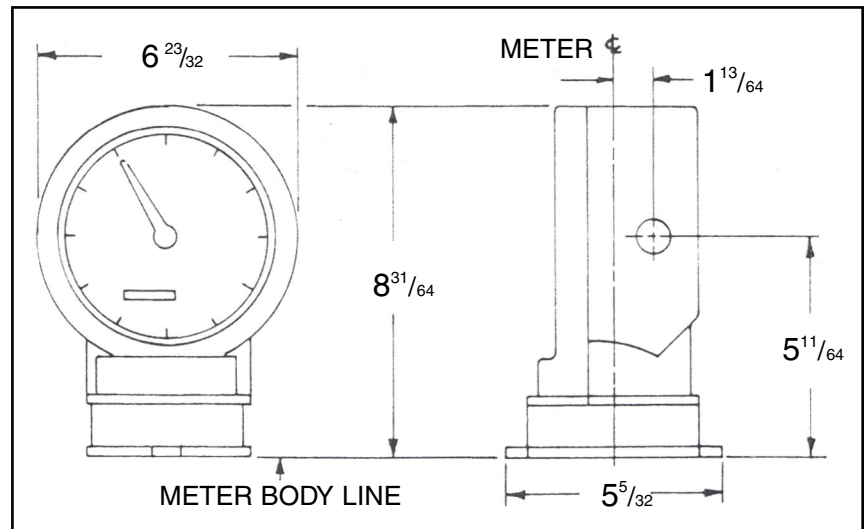


Figure 2