

**Description**

Provides continuous digital totalized readings. It is non-resettable. Transmits a scaled electrical pulse signal (switch closure type) of 10 contact closures per sweep hand revolution. The gasketed viewing glass display contains 6 digits and can be configured to display any standard engineering unit (i.e. U.S. gallons, Imp. gallons, pounds, and liters). A large sweep hand is located in the center of the register which is mounted to the meter case using two screws.

Mounts to

Meter Type	Size	Meter Materials
Nutating Disc	1" - 2 1/2"	Teflon® Coated Cast Iron
	3/4" - 2"	Bronze
Oscillating Piston	1" or 2"	Stainless Steel



**Figure 1.** R-15B Mechanical Totalizing Register with Pulse Transmitter

**Technical Information**  
**Functional Specifications**

Registration	U.S. gallons, Imp. gallons, pounds, liters, etc.
Value per Rev	See Table 1
Operation	Mechanical drive/Magnetic drive (3/4" Bronze) Magnetically activated reed switch
Reed Switch	Resistive: 3 Watts DC, 0.5 Amp, 250 VDC Max, SPDT
Reed Switch Rate	10 pulses per sweep hand rev
Display Outputs	Digital Non-resettable Total with sweep hand
Display Digits	6
Temperature	Use vertical extension if liquid > 250° F (121° C)

**Physical Specifications**

Materials of Construction	
Case	Polymer
Hinged Lid	Polymer
Gearing	Polymer
Shafts	Phosphor Bronze
Number Wheels	Polymer
Pointer	Polymer
Dial	Stainless Steel
Adapter	Polymer
Mounting Position	Top/Horizontal; Any 90° position

**Standard Dial Units**

Meter Size	Sweep Hand Value Per Revolution							
	Gallons		Pounds		Imp. Gallons		Liters	
3/4"	x		x		x		x	
1"	x		x		x		x	
1 1/4"	x		x		x			x
1 1/2"	x		x		x			x
2"		x		x	x	x		x
2 1/2"		x		x	x	x		x

**Table 1**

**Ordering Information**

**MODEL 1 5 B**

Engineering Units \_\_\_\_\_

1 .....Gallons

2 .....Pounds

3 .....Imperial Gallons

4 .....Liters

9 .....Special

Unit Value \_\_\_\_\_

A .....1

B .....10

C .....100

D .....1000

S .....Special

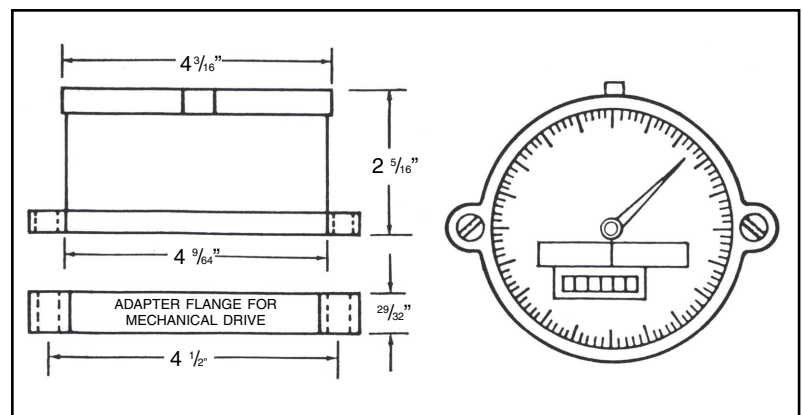
Register Extension \_\_\_\_\_

0 .....No

1 .....6"

2 .....12"

**Dimensions (inch)**



**Figure 2**