

**Description**

Transmits a scaled electrical pulse signal (switch closure type) for each discrete unit of liquid volume metered. The transmitter is mounted to the meter case using two screws.

Mounts to

Meter Type	Size	Meter Materials
Nutating Disc	1" - 2 1/2"	Teflon® Coated Cast Iron
	1" - 2"	Bronze
Oscillating Piston	1" or 2"	Stainless Steel

**Technical Information**  
**Functional Specifications**

Operation	Magnetically activated reed switch
Reed Switch	Resistive: 3 Watts DC, 0.5 Amp, 250 VDC Max, SPDT
Reed Switch Rate	1500 pulses/min maximum (see Note 1)
Temperature	Use vertical extension if liquid > 250° F (121° C)

**Physical Specifications**

Materials of Construction	
Case	Aluminum
Gearing	Brass
Shafts	Brass
Bushings	Brass
Mounting Position	Top/Horizontal

**Note 1:** For higher pulse rates consult factory.

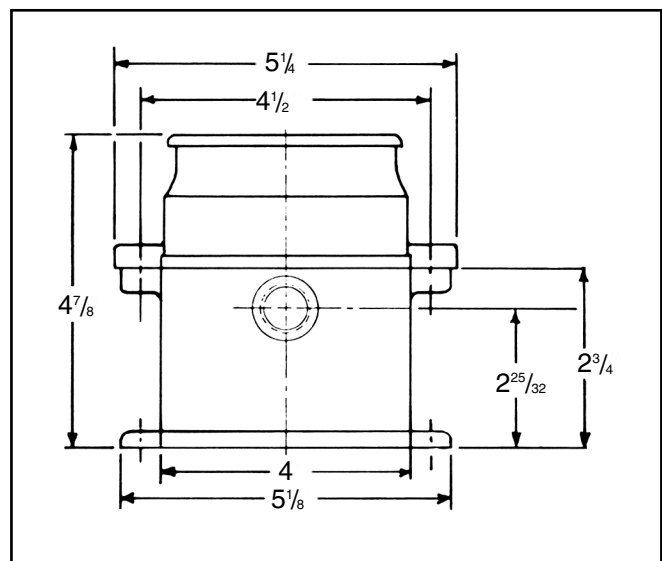
**Ordering Information**

<b>MODEL</b>	<u>  1  </u>	<u>  1  </u>
<b>Engineering Units</b>	<ul style="list-style-type: none"> <li>1 .....Gallons</li> <li>2 .....Pounds</li> <li>3 .....Imperial Gallons</li> <li>4 .....Liters</li> <li>9 .....Special</li> </ul>	
<b>Pulses/Unit</b>	<ul style="list-style-type: none"> <li>A .....1</li> <li>B .....10</li> <li>C .....Other</li> </ul>	
<b>Register Extension</b>	<ul style="list-style-type: none"> <li>0 .....No</li> <li>1 .....6"</li> <li>2 .....12"</li> </ul>	



**Figure 1.** R-11 Pulse Transmitter

**Dimensions** (inch)



**Figure 2**