

**Description**

Provides continuous digital totalized readings. It is non-resettable. The gasketed viewing glass display contains 6 digits and can be configured to display any standard engineering unit (i.e. U.S. gallons, Imp. gallons, pounds, and liters). A sweep hand is located at the top of the register which is mounted to the meter case using two screws.

Mounts to

Meter Type	Size	Meter Materials
Nutating Disc	¾" - 2 ½"	Teflon® Coated Cast Iron
	1" - 2"	Bronze
Oscillating Piston	1" or 2"	Stainless Steel

**Technical Information**  
**Functional Specifications**

Registration	U.S. gallons, Imp. gallons, pounds, liters, etc.
Value per Rev	See Table 1
Operation	Mechanically coupled
Display Outputs	Digital Non-resettable Total with sweep Hand
Display Digits	6
Temperature	Use vertical extension if liquid > 250° F (121° C)

**Physical Specifications**

Materials of Construction	
Case	Brass
Lid	Brass
Gearing	Brass
Shafts	Brass
Bushings	Graphite Bronze
Number Wheels	Brass
Pointer	Brass
Mounting Position	Top/Horizontal Any 90° position



**Figure 1.** R-10 Mechanical Totalizing Register

**Standard Dial Units**

Meter Size	Sweep Hand Value Per Revolution									
	Gallons		Pounds		Imp. Gallons		Liters			
	10	100	100	1000	10	100	10	100	1000	
¾"	x		x		x		x			
1"	x		x		x		x			
1 ¼"	x		x		x			x		
1 ½"	x		x		x			x		
2"		x		x		x				x
2 ½"		x		x		x				x

x = available

**Table 1**

**Ordering Information**

**MODEL 1 0**

Engineering Units \_\_\_\_\_

1 .....Gallons

2 .....Pounds

3 .....Imperial Gallons

4 .....Liters

9 .....Special

Unit Value \_\_\_\_\_

A .....10

B .....100

C .....1000

5 .....Special

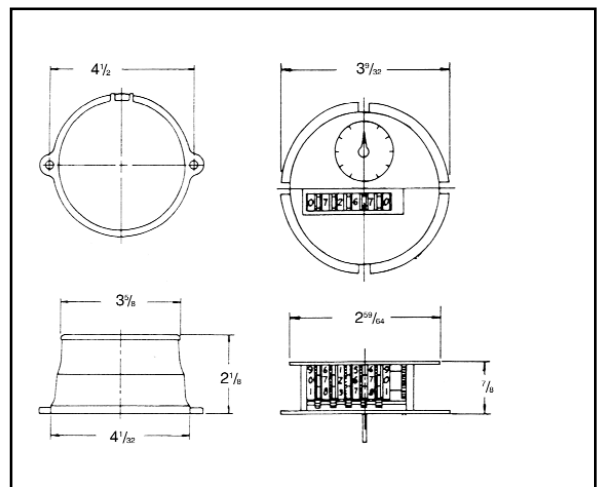
Register Extension \_\_\_\_\_

0 .....No

1 .....6"

2 .....12"

**Dimensions (inch)**



**Figure 2**