

## Description

The Model 2000 is a Smart, Hart® compatible two-wire 4-20 mA signal transmitter for use with the Strain Gage Target flowmeters. The Model 2000 4-20 mA analog output can be proportional to flow rate or proportional to flow rate squared. The Model 2000 can be integrally mounted or remote mounted up to 250 ft.

## Technical Information

### Functional Specifications

Ambient Temperature	Operating Temperature Range: -4° F to 170° F (-20° C to 75° C) Storage: -50° F to 200° F (-50° C to 95° C)
Power Input	12-42 VDC
Max. Load Resistance	$RL = (V_{supply} - 12) * 43.33$
Outputs	Signal 4-20mA, 2 wires HART® Operation Mode: Operates in continuous mode Digital Communications Protocol: HART®; LSK with standard unit
Display	2 line alphanumeric with bar graph
Low Flow Cutoff	Adjustable
Response Time	100 milliseconds

### Performance Specifications

Accuracy	0.15% of electronics reading
Repeatability	< 0.1% of Full Scale per year
Enclosure	NEMA 4x
Agency Approvals	pending

### Physical Specifications

Electronics Housing	Integral: NEMA 4X, dual cavity enclosure, aluminum, epoxy coated Remote: NEMA 4X, single cavity fiberglass
Connections	Integral: 3/4" NPT conduit Remote: dual 3/4" conduit opening (customer provides)

### Dimensions (inch)

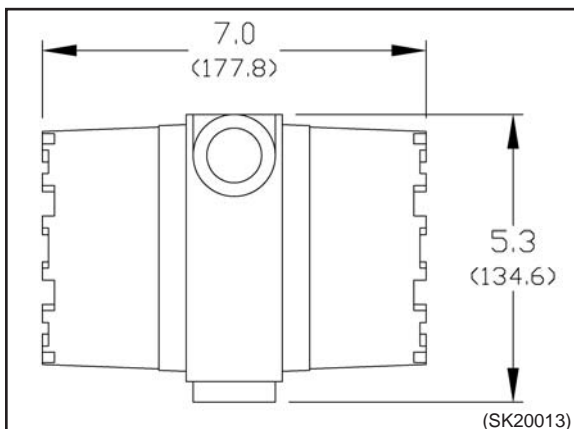


Figure 1

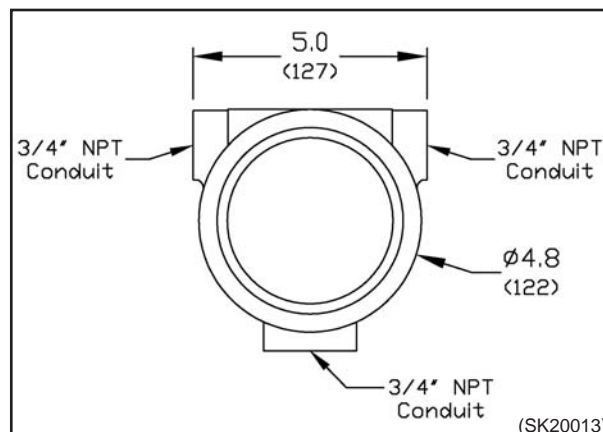


Figure 2

### Ordering Information

Specify model number, remote or integral mounting and type of output at the time of ordering.