

Description

The Model 1050 is a three-wire signal transmitter for use with the strain gage Target inline, insertion or sanitary flowmeters. The Model 1050 standard outputs are a 4-20 mA analog and 0-1000 Hz digital output signals that are proportional to flow rate. The Model 1050 can be integrally mounted or remote mounted up to 100 ft.

Technical Information

Functional Specifications

| | |
|---------------------|---|
| Ambient Temperature | 32° to 140°F (0° to 60°C) |
| Power Input | 12 to 36 VDC |
| Load Impedance | 600 ohm @ 24 VDC supply |
| Outputs | 4-20 mA DC (other outputs available) 4 mA represents zero flow and 20 mA is full-scale flow 0 - 1000 Hz square wave |
| Display | None |
| Low Flow Cutoff | Factory set based on flowmeter turndown |
| Response Time | 0.1 sec std. Undamped For faster response times, consult factory. |

Performance Specifications

| | |
|----------------------|---|
| Accuracy | ± 0.1% full scale |
| Repeatability | ± 0.25% of point |
| Enclosure Protection | NEMA 4X/IP 66 |
| Agency Approvals | FM, CSA Class I, Groups B,C,D Class II, Groups E, F,G, EEx d IIC |

Physical Specifications

| | |
|----------------------------------|---------------------------|
| Materials of Construction | |
| Case | Polyester coated aluminum |
| Electrical Connection | 3/4" FNPT |

Dimensions (inch)

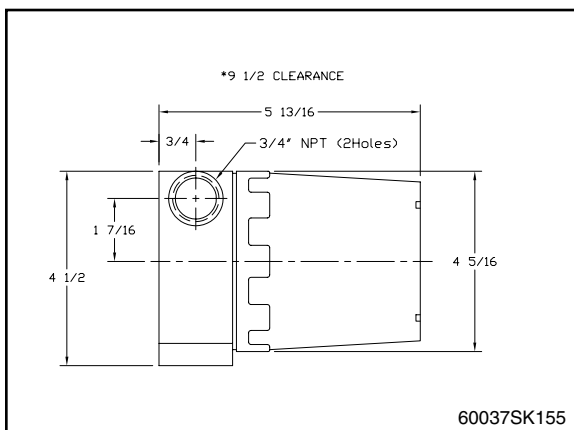


Figure 1

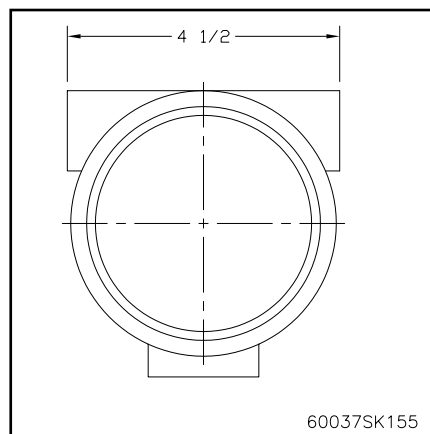


Figure 2

Ordering Information

Specify model number, remote or integral mounting and type of output at the time of ordering.