

FPP INDUSTRIAL METERS

3" Stainless Steel, Oval Gear Meter Model TS30C

FPP Meters' versatile STEALTH Series is available in a variety of configurations including mechanical registration, electronic registration or non-factored pulse output flow sensors. With only two moving parts and exceptional pressure loss characteristics, STEALTH represents the ideal platform for year 2000 metering systems



Model Number TS30CE04

Specifications

Flow Rate

20-200 GPM, viscosities to 300 cSt
76-760 LPM, viscosities to 300 cSt

Pressure

150 PSI @ 100°F (10 Bar @ 40° C)
400 PSI @ 100° F (28 Bar @ 40° C)

Temperature

300°F (80° C)
185° F (85° C) RSFS only
Other limits may apply to electronic devices

Viscosity

Full nominal flow rate to 300 cSt to 350,000 cSt
at reduced flow rates with special gears

Connections

150# RF ANSI flanges

Materials

Case: Anodized Aluminum

Oval gears: Ryton™ (PPS), Teflon™ optional

Posts: 17-4 PH Stainless Steel

Seals: Viton™, Teflon™ optional

Industrial Performance

Linearity

+/- 0.25% @ 1 cSt

Repeatability

+/- 0.1%

Resolution

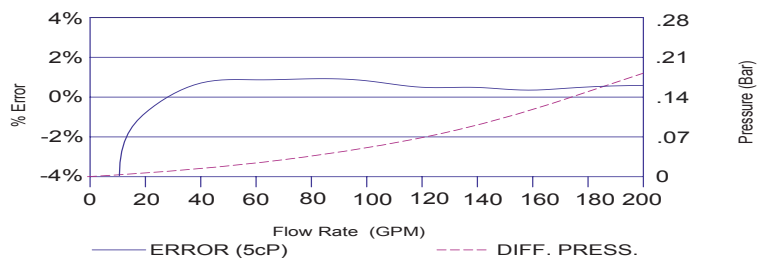
Flow Sensor: 51 PPG

Calibration

Mechanical: 1/10 gallon, whole gallon, lbs., liter,
dekaliters & kg

Electronic: Any unit of mass or volume

Delta P & Accuracy Curves



Registration Options

- * Mechanical Register: 4, 5 or 6 digit
- * Mechanical register/printer, register/preset, or register/preset/printer combination
- * Battery-powered electronic totalizer or register
- * Electronic AC batch controllers, flow computers, and temperature compensation
- * NEMA 4X & NEMA 7/4 enclosures

Accessories

- * Inlet strainer for meter protection
- * Air eliminator on inlet strainer
- * Air check valve with air eliminator
- * Mechanical preset (shut-off) valve
- * Electric or pneumatic preset valve
- * Pulse output, analog signal & serial port
- * Pulse Isolator/Amplifier/Splitter
- * Pump control signal

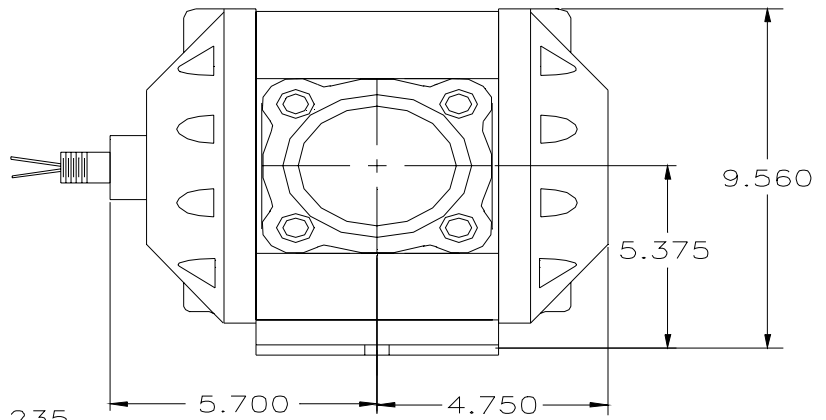
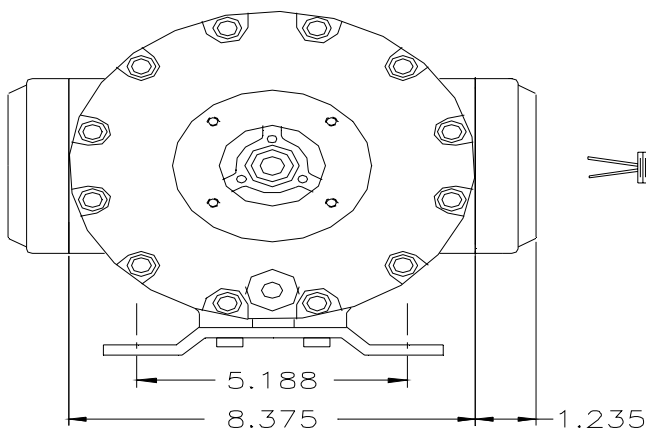
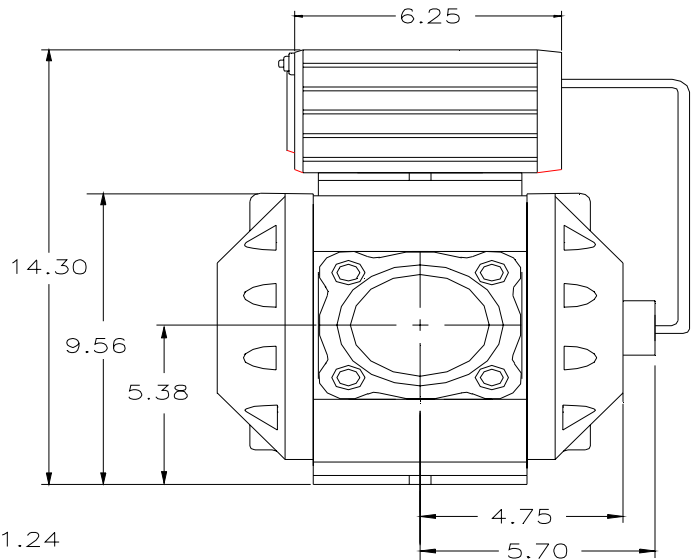
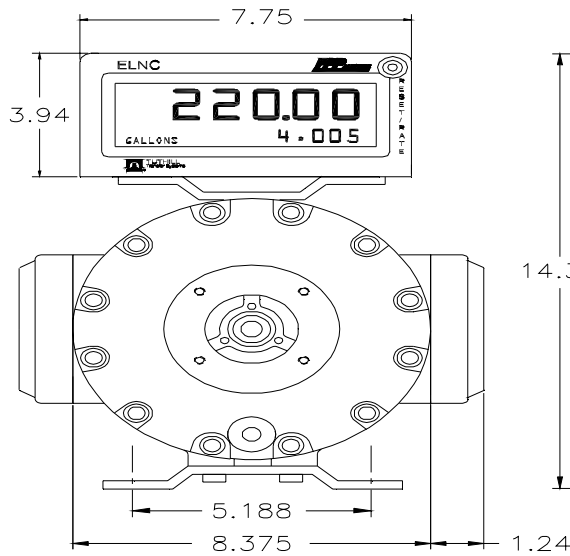
Note: Recommended protection

Inlet strainer, depending upon viscosity,
with 20, 40 or 80 mesh basket

DIMENSIONAL DRAWINGS



Dimensional Drawings: All dimensions are in inches



48513 Highway 51, P.O. Box 400
Tickfaw, Louisiana USA 70466
Tel: 985-542-5200 Fax: 985-542-7394
www.tuthill.com

DISTRIBUTED BY: