



TN700 & TN800 Series, 1" & 1½" Anodized Aluminum

- Only one moving part.
- No metal to metal contact in measuring chamber.
- Mechanical & Electronic versions.
- The economical meter for inventory control service.

Specifications

NOMINAL CAPACITY* on 30 SSU (1 cP) visc				CASE MAT'L	SEALS	Nominal Pressure Rating** at 100°F (40°C) & Port Size			Approx. shipping weight
MODEL	GPM	LPM	m³/h			150 PSI 10 BAR	400 PSI 28 BAR	1000 PSI 69 BAR	
TN•40A	40	150	9.0	Anodized Aluminum	Viton™	TN840A 1" or 1½"	TN740A 1" or 1½"	TN740A 1"	9 lbs 4.1 kg
TN•60A	60	227	13.5			TN860A 1½"	TN760A 1½"	n/a	

* = Model capacity is subject to correction for liquid viscosity characteristics and other operating conditions.

** = 150 PSI (10 BAR) = C in pos. 15 of part number
 400 PSI (28 BAR) = F in pos. 15 of part number
 1000 PSI (69 BAR) = I in pos. 15 of part number

Assembly definitions (position 7-9 in the part number defines type of register):

- N1C** 4 digit mechanical register, with 7 digit totalizer if calibrated in 1/10 gallons, 8 digit totalizer if calibrated in whole gallons or liter.
- N0E** Flow sensor, with Reed Switch pulser
- N•E** Flow sensor with CC56 Register or PC58 Totalizer installed in NEMA 4X (equiv. IP67) enclosure, or with ELNC Register in NEMA 4 (equiv. IP67) enclosure.

Temperature Rating

- N1C** : -40°F to +180°F = -40°C to +80°C
- N0E** : -40°F to +300°F = -40°C to +150°C

- **Viscosity** : Full nominal capacity to 60 SSU (10 cP) viscosity, at reduced flow rates to 10,000 SSU (2,200 cP).

Connections

See size above, NPT ports standard, BSP ports optional
 NPT x 150# RF ANSI adaptors are optional.

- **Materials** Measuring chamber: PPS with SS trim.
 Case & seals as shown above

Pulser

- N0E** : Internal Reed Switch pulser

Pulse Resolution

- N0E** : **TN•40A** Std. ±86 PPG (22.7 ppl) to register
TN•60A Std. ±52 PPG (13.7 ppl) to register

Meter Performance

- Linearity** Over 10:1 turn-down from max. capacity: ±2%
- Repeatability** ±0.5% (at constant rate)



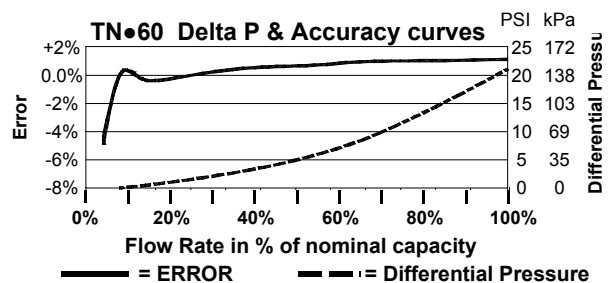
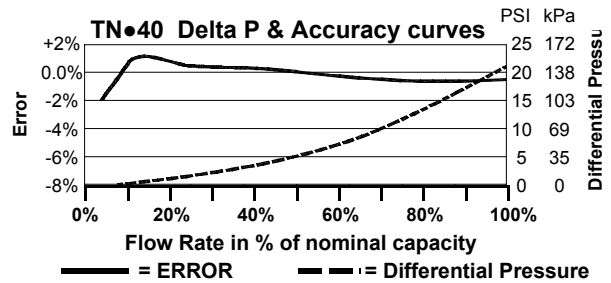
TN840AN1C model



TN840AN0E flow sensor

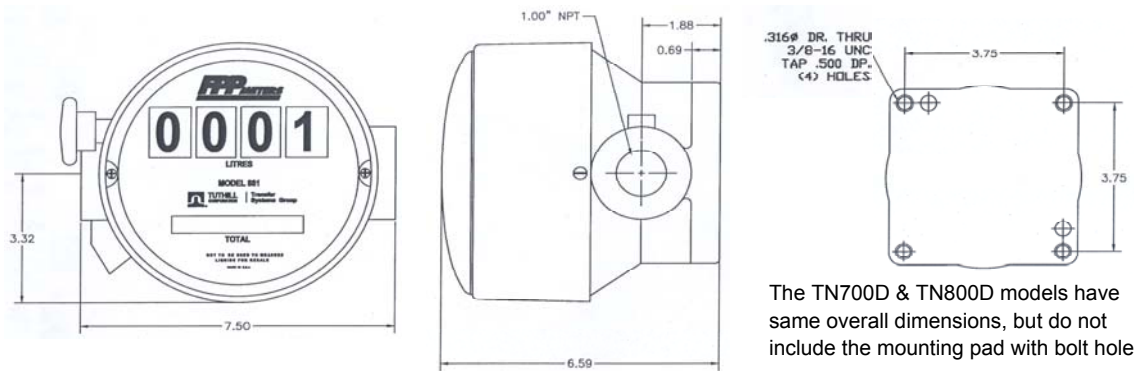


TN840AN0E flow sensor with ELNC register



TN740A N1C
TN760A N1C

TN840A N1C
TN860A N1C

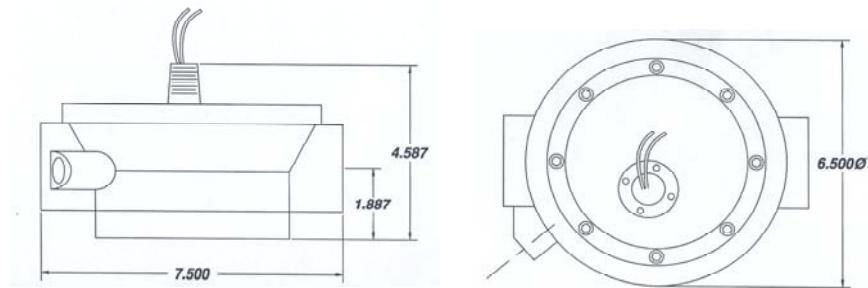


The TN700D & TN800D models have same overall dimensions, but do not include the mounting pad with bolt holes.

The electronic flow sensor is only available in the anodized aluminum case version:

TN740A N0E
TN760A N0E

TN840A N0E
TN860A N0E



International offices:

- Belgium** Europe, Middle East & Africa
- Miami, FL** Mexico, Carribean, Central & South America
- Australia** Asia/Pacific

Branch offices:

- Market Harborough, England
- Monterrey & Mexico City, Mexico
- Bogota, Colombia
- Buenos Aires, Argentina.
- Shanghai, China