



HIGHER CAPACITY INDICATING PURGE ROTAMETER

For accurate measurement of low flow fluids and gases

FEATURES

- Rugged, one piece stainless steel construction
- Clear, polycarbonate shield
- Interchangeable floats for several capacity ranges
- Easy to read 5" scale
- Available with or without integral needle valve

DESCRIPTION

The new Model 7055 Rotameters extend the flow rate range of the SK Series 7000 Lo-Flow Rotameters up to 4.6 GPM water (20.5 SCFM air). They are rugged in construction and are designed to provide trouble free operation. These rotameters are well-suited for purging applications such as: purging orifice legs, instrument cases, pump seals and other components to prevent corrosion or slurry sedimentation. Other specialized applications include liquid level, specific gravity indication and fluid sampling.

Fluid flow rate is measured by the up or down movement of a float which responds to an increase or decrease in fluid rate inside the tapered metering tube. Flow rate is indicated by the position of the float in relation to the scale located on the tube. The instrument is manufactured to high quality McCrometer standards, yet is economically priced.



SPECIFICATIONS

CONNECTIONS: 3/8" female NPT inlet and outlet, horizontal

DIMENSIONS AND CAPACITIES: See dimension drawing and capacity table on reverse side of page

ACCURACY: $\pm 3\%$ F.S. (standard), or $\pm 1\%$ F.S. with special calibration (optional)

SCALE: Decal 0 to 10 reference (standard), or direct reading in units of flow rate on tube (optional)

MAXIMUM OPERATING PRESSURE AND TEMPERATURE:
300 PSIG @ 200°F

RANGE: 10 to 1

MOUNTING: Vertical in pipeline, or on front or back of panel

MATERIAL:

Body: One piece, welded 316 stainless steel

Tube Shield: Clear, polycarbonate plastic

Meter Tube: Borosilicate glass

Floats: HCF type or double disc type, 316 stainless steel

Needle Valve: 316 stainless steel spindle and seat

O-Rings: Buna-N (standard), Viton A* and other materials available

Lock Clip: Stainless steel

*T.M., Du Pont Co.



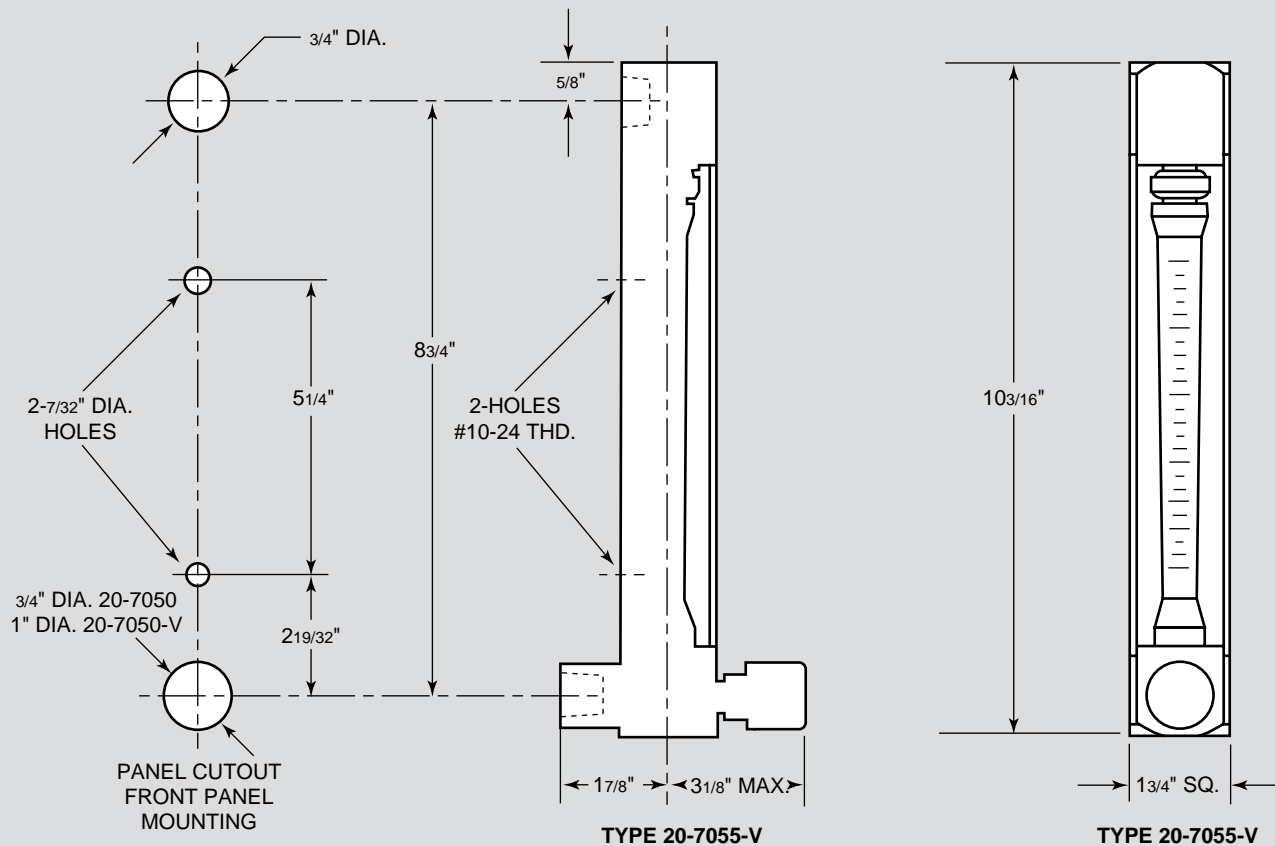
MODEL 7055 LOW FLOW PURGE ROTAMETERS

MAXIMUM FLOW CAPACITIES

S/S FLOAT	WATER @ 70°F (GPM)	AIR @ STP (CFM)	MAX. PRESS. DROP (INCHES W.C.)
3-F-11	0.47	2.0	1.0
3-F-9	0.78	3.3	1.0
3-F-7	1.08	4.5	1.5
34 J	1.95	8.6	7.0
33 J	2.25	9.8	11.1
32 J	2.65	11.6	14.0
31 J	3.1	14.0	25.0
30 J	3.7	16.5	32.0
20JX	4.6	20.5	39.0



DIMENSIONS



Specifications contained herein are subject to change without notice. Since it is impossible to anticipate or control the many different conditions under which this information and our products may be used, we cannot guarantee the applicability and accuracy of this information, or the suitability of our products in any given situation.



3255 West Stetson Avenue, Hemet, CA 92545-7799 USA
 Phone: 909 652-6811 Fax: 909 652-3078 e-mail: info@mccrometer.com
 Web Site: <http://www.mccrometer.com>