



General Information

This unique system of 2" to 8" turbine meters uses one moving part, a helical rotor. Rotation of the rotor is electronically detected and processed. High-quality jewel bearings and polished zirconia ceramic shafts minimize friction while providing long wear life. The entire rotor assembly is easily removed for field service.

WT-S bodies are fabricated from stainless steel tubing. The standard turbine insert is a single piece casting in stainless steel. Turbine rotors are Kynar (PVDF).

An electronic register can be mounted on the meter to display flow rate, total (resettable or non-resettable) and provide a programmable pulse output. The same unit, in a wall mount or panel mount housing, can be located up to 2,000 feet away. Other electronics options (which can again be meter or remote mounted) are the AO55 blind 4-20 mA transmitter, the PD10 divider, and a battery-powered (FT415) ratemeter with pulse output for applications which lack power.

Specifications

Materials

Meter Body	T-304 Stainless, T-316 optional
Turbine Insert	CF8M Cast Stainless
Turbine Rotor	Kynar (PVDF)
Shafts	Zirconia Ceramic
Bearings	Sapphire journal, ruby ball

Maximum Pressure 200 psi (14 bar)

Maximum Temperature 200° F (93°C)

Accuracy ± 1% FS

Flow Range (see table on reverse side)

Power

WTS100 6-18 VDC, 6 mA

WTS101 6-24 VDC, 25 mA

Signal (WTS100) Hall Effect (NPN) Current sinking pulse, 20 mA max.

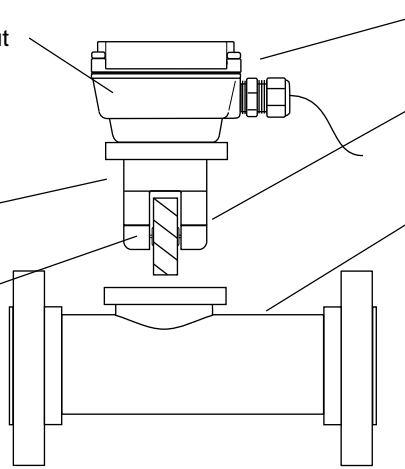
Cable #22 AWG 3-con, 18 ft. (6m)

Features

- Modular electronics for a wide range of applications
- Rate/Total and pulse output
 - Analog 4-20 mA
 - Programmable pulse only
 - Battery-powered totalizer

One-piece cast S.S. insert removes easily for service

Rotor is the only moving part.



Rugged cast housing

Sapphire journal bearings for long life and low minimum flow

Fabricated stainless steel body, 150 lb. drilling flanges. (Note: 2" has FNPT threads. 150 lb. flanges are optional)

Flow Range

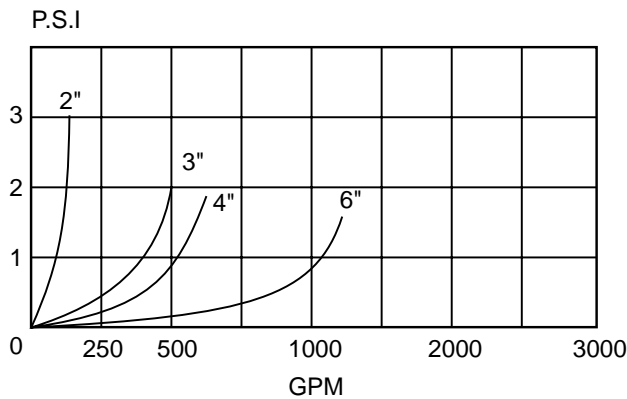
GPM

	2"	3"	4"	6"	8"
Minimum	2	3	6	12	30
Maximum	150	400	600	1200	3000

LPM

	2"	3"	4"	6"	8"
Minimum	8	11	23	46	114
Maximum	550	1500	2200	4500	11000

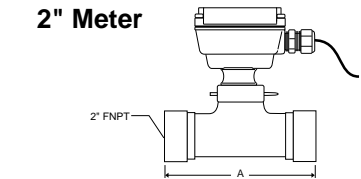
Pressure Loss Chart



Dimensions

2" Meter

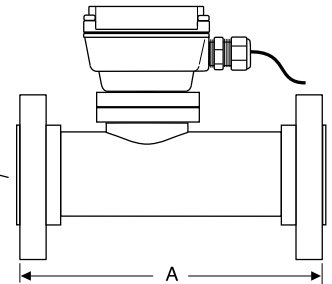
Meter Size	Dimen. A
2"	8"
3"	12"
4"	14"
6"	18"
8"	20"



*Female NPT threaded ends standard, flange or weld ends available

Flange 150 lb drilling

3" - 8" Meter



How To Order

- WTS100 - (Size)** Electronic turbine, pulse output only
- WTS101 - (Size)** Electronic turbine, rate, total, pulse output, 4-20 mA output
- WTS102 - (Size)** Electronic turbine with loop-powered 4-20 mA only
Option -04 Micropower sensor
- WTS104 - (Size)** Electronic turbine with battery powered ratemeter/totalizer and pulse output

SeaMetrics

20419 80th Ave. So., Kent, WA 98032 USA
Phone: 253-872-0284 Fax: 253-872-0285
www.seametrics.com 1-800-975-8153