

General Information

These versatile impeller flowmeters in 3/8" to 1" nominal pipe size employ jewel bearings for very low minimum flows. The 6-24 VDC pulse output of these meters is compatible with many different types of control, including a full range of SeaMetrics rate displays and controls. The SeaMetrics FT420 provides flow rate and total flow, as well as 4-20 mA output. For metering pump pacing or interfacing with lowspeed counters, the PD10 divider is recommended. The AO45 is a blind 4-20mA transmitter.

S-Series meters are available in 3/8" to 1" nominal sizes. The SPX body material is polypropylene, with transparent acrylic covers for visual flow indication. Polypropylene covers are available as an option.

The SPT is available standard with TFE housing, TFE cover, PVDF rotor, ceramic shaft, choice of o-ring material (EPDM or Viton), and optional silicon carbide shaft.

Specifications

Connections

3/8", 1/2", 3/4", 1"
Female NPT standard,
SAE thread optional

Materials

Body	SPX: Polypropylene, SPT: TFE
Cover	SPX: Acrylic, Polypro optional SPT: TFE
Rotor	PVDF
Shaft	SPX: Nickel tungsten carbide, zirconia ceramic optional SPT: zirconia ceramic, silicon carbide optional

Bearings

Ruby

Max. Temperature

160° F (71°C)

Max. Pressure

150 PSI (10 bar)

Accuracy

±1% FS

Flow Rates

GPM

LPM

Size

3/8

0.07 - 5

0.27 - 18.9

1/2

0.1 - 10

0.38 - 37.9

3/4

0.2 - 20

0.75 - 75

1

0.5 - 40

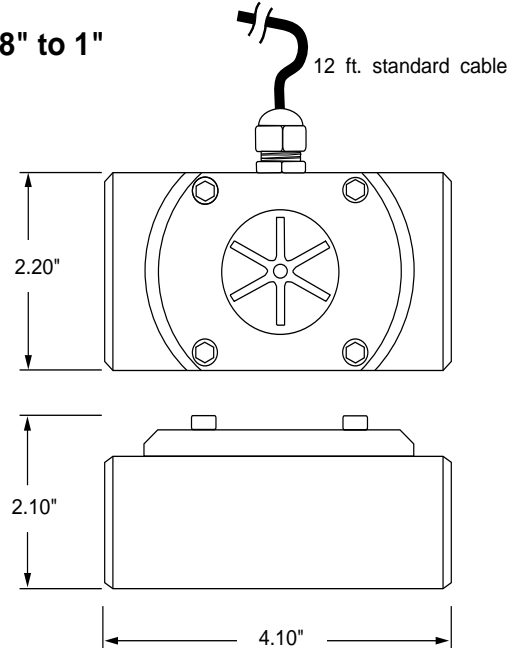
1.9 - 150

Field Replaceable Sensor



Dimensions

3/8" to 1"



Nominal K-factors (Pulses per Gallon)

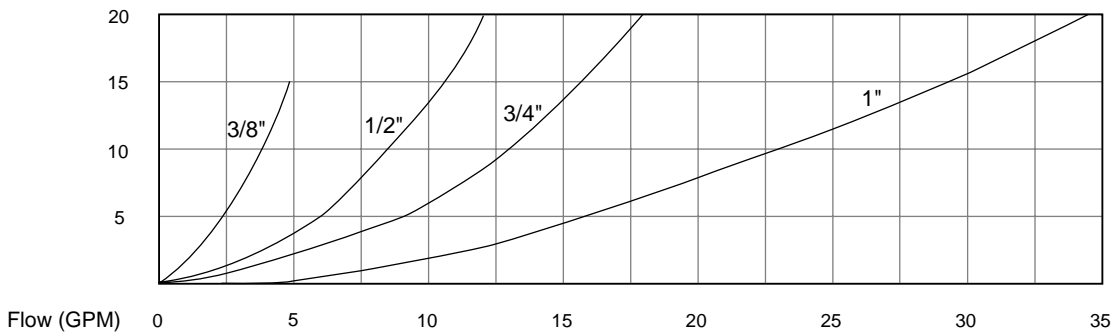
3/8"	1600
1/2"	500
3/4"	300
1"	90

Typical Combinations with SPX

•Flow Monitoring:	FT420 Flow Computer
•Flow Switch:	FS20 Flow Switch
•Analog Output:	AO45 Blind Transmitter
•Divider:	PD10 Pulse Divider

Pressure Drop (PSI)

Pressure Drop: 3/8" - 1"



How To Order

Option codes:

SPX
 SPT
 (Place number of option above)

Options:

- 01 Ceramic shaft (SPX)
- 12 Polypro cover (SPX)
- 13 High-resolution rotor (SPX, SPT)
- 06 LMI pump connector
- 07 SeaMetrics control connector
- 68 Silicon carbide shaft (SPT)

SeaMetrics