

FT520

BATCH FLOW PROCESSOR SPECIFICATIONS



GENERAL INFORMATION

The FT520 is a batching flow processor with additional output features. It is designed for use with SeaMetrics flow meters and flow sensors, as well as other units which have frequency output proportional to flow. In addition to batch function, the FT520 indicates flow rate and accumulated total in large digits on an easily-read backlit display. Units are user selectable, and range from milliliters per second to million gallons per day.

Batch output is controlled by two relays. The main relay starts and stops the batch as set. The auxiliary "prewarn" relay can be used to operate a second valve, in order to have a staged shut off at the end of the batch, for maximum accuracy.

Analog output (4-20 mA, 0-10 VDC, 0-5 VDC) is included for applications requiring it, such as flow rate logging. Two individually programmable pulse outputs are also standard, and can be used, for example, to provide proportional chemical feed with a pulse-responsive metering pump.

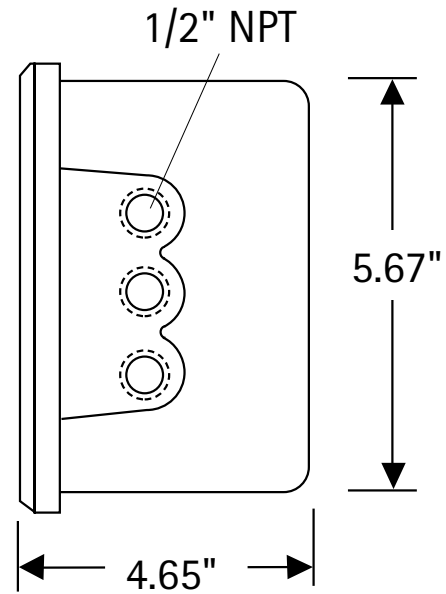
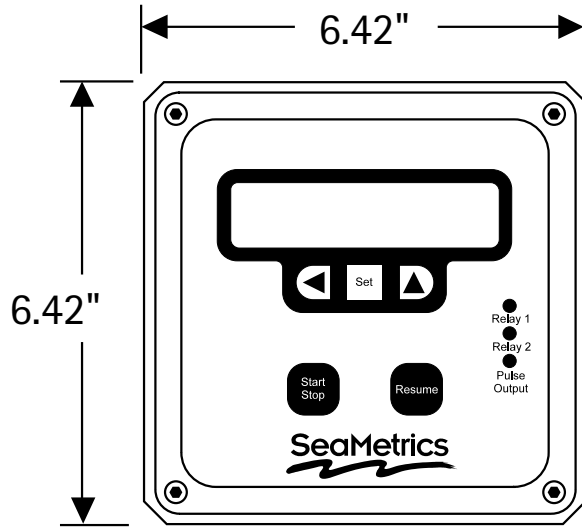


SPECIFICATIONS

POWER	<ul style="list-style-type: none">• 115 VAC, 50/60 Hz, 12-24 VDC (220 VDC optional)
TEMPERATURE	<ul style="list-style-type: none">• 32° - 130° F (0° - 55° C)
ENCLOSURE	<ul style="list-style-type: none">• Precision cast aluminum, NEMA 4X
BATCH OUTPUTS	<ul style="list-style-type: none">• Two form C SPDT relay, 115 VAC 5A max
MAX PULSE OUTPUT	<ul style="list-style-type: none">• 100 mA at 60 VDC
MEMORY TYPE	<ul style="list-style-type: none">• Non-volatile EEPROM auto-backup
SENSOR POWER	<ul style="list-style-type: none">• 12VDC, 10 mA
DISPLAY	<ul style="list-style-type: none">• Totalizer = 8 digit • Rate = 5 digit
UNITS	<ul style="list-style-type: none">• Volume = Gallons, cubic feet, cubic meters, liters, million gallons• Time = Seconds, minutes, hours, days
ANALOG OUTPUT	<ul style="list-style-type: none">• 4-20 mA, 0-10 VDC, opto-isolated
SENSOR INPUT	<ul style="list-style-type: none">• Open collector current sink, ESD protected
MAX INPUT FREQUENCY	<ul style="list-style-type: none">• 1,000 Hz

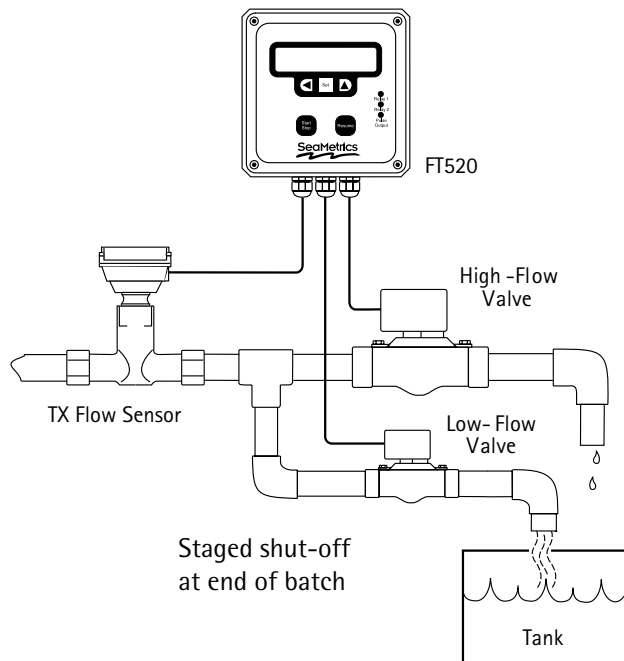
FT 520 BATCH FLOW PROCESSOR Specifications

DIMENSIONS

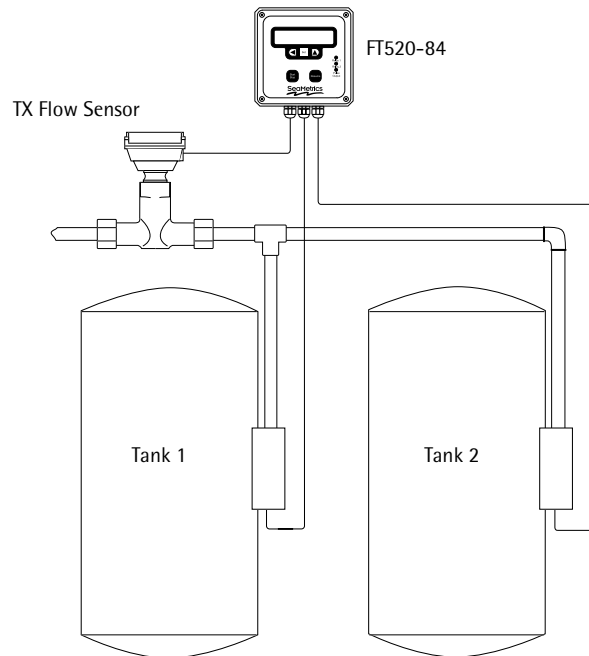


FT520 BATCH FLOW PROCESSOR SPECIFICATIONS

TYPICAL DUAL FLOW BATCH APPLICATION



ALTERNATING TANKS APPLICATION



HOW TO ORDER

FT520 BATCH FLOW PROCESSOR

Option Codes: 84 Regeneration control
86 Alarm relay control

FT520 - _____



19026 72ND AVE SOUTH, KENT, WA 98032 USA
(P) 253.872.0284 (F) 253.872.0285
WWW.SEAMETRICS.COM 1.800.975.8153