



### Specifications

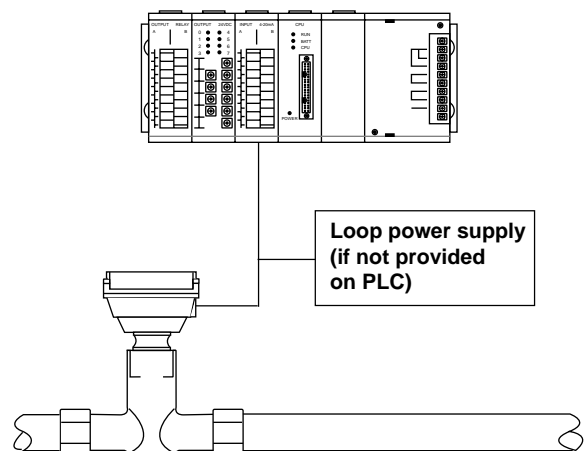
|                                |  |
|--------------------------------|--|
| <b>Power</b>                   | 4 mA DC (4-20 mA loop),<br>12-32 VDC   |
| <b>Display</b>                 |  |
| <b>Rate</b>                    | 6-digit autorange, 1/2"<br>character height  |
| <b>Total</b>                   | 8-digit, 5/16" character<br>height   |
| <b>Pulse Output</b>            | <ul style="list-style-type: none"> <li>• 0.1 second open collector pulse (scaled)</li> <li>• high alarm or low alarm</li> <li>• sensor pulse (unscaled)</li> </ul> |
| <b>Input</b>                   | Pulse frequency + 5 VDC  |
| <b>K factor Range</b>          | 0.050 - 999999.9   |
| <b>Pulse Output Range</b>      | 0.1 - 200,000 units/pulse  |
| <b>Flow Alarm Output Range</b> | 0.1 - 999999.99  |
| <b>Temperature</b>             | 0 C - 70 C   |
| <b>Environmental</b>           | NEMA 4X  |

### General Information

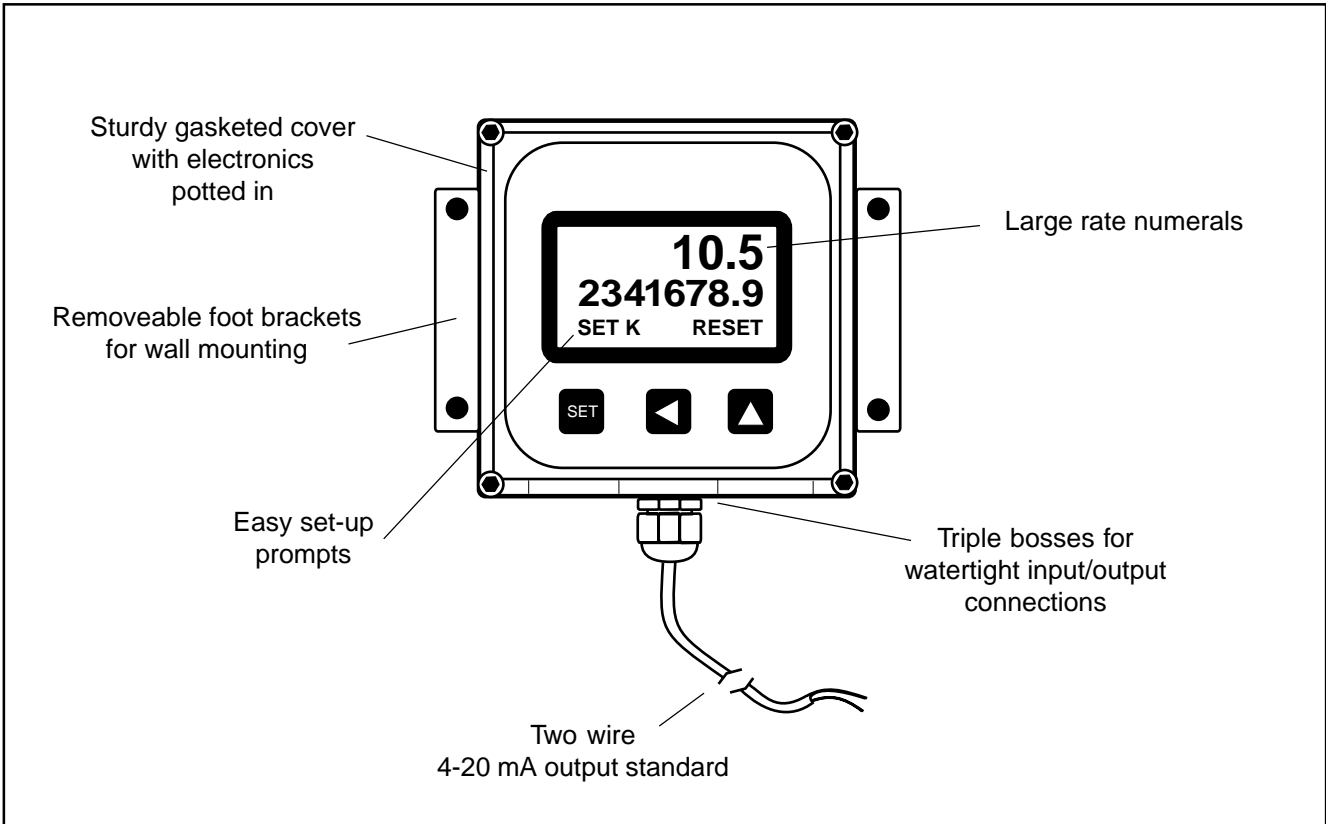
The FT420 is a loop-powered microcontroller-based transmitter/indicator. It displays rate and total, and provides a 4-20 mA analog signal proportional to flow. A programmable pulse output is also standard for metering pump control or data logging.

The rugged cast-aluminum housing is gasketed for maximum environmental protection, and the electronics are potted into a solid block of urethane. A membrane keypad allows settings to be changed without removing the cover. The universal mount version comes with brackets for wall mounting, and also with an adapter for field installation on 80-series flow sensors. The FT420 can also be factory or field installed on a TX100/200 series sensor or WT meter.

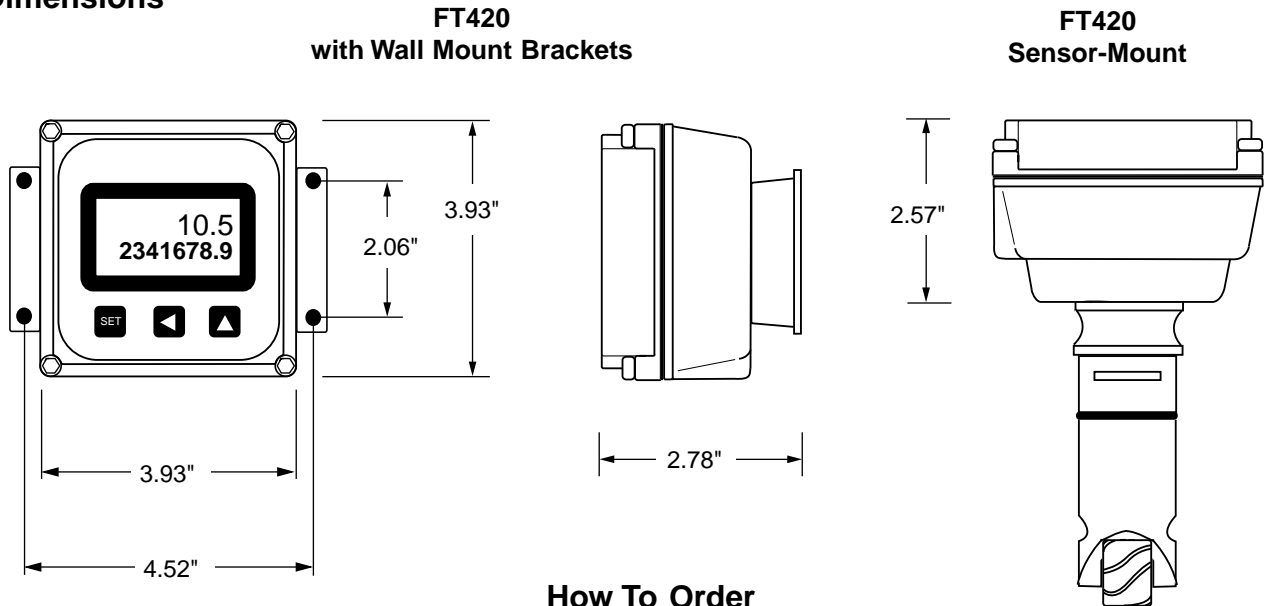
### Typical 4-20 mA Application



## Features



## Dimensions



## How To Order

Mounting Style: M = premounted on sensor, 100/200 series only  
 U = Universal, wall or field mount on 80-series sensor

FT420 \_\_\_\_\_

**SeaMetrics**

20419 80th Ave. So., Kent, WA 98032 USA  
 Phone: 253-872-0284 Fax: 253-872-0285  
[www.seametrics.com](http://www.seametrics.com) 1-800-975-8153