

EM100/102

LOW-FLOW MAGNETIC FLOW METER SPECIFICATIONS

EM100 PULSE OUTPUT ONLY

EM102 PULSE AND 4-20 OUTPUT



GENERAL INFORMATION

The EM100/102 are 24 VDC-powered electromagnetic flow meters with chemically-resistant plastic wetted parts, in nominal maximum flow rates of 4, 11, and 30 liters per minute. They use bipolar DC technology at a frequency high enough to allow for measurement of pulsating flows from diaphragm-type chemical metering pumps. All electronics are contained in a single compact, chemical-resistant housing. This configuration, combined with the standard pulse and analog outputs, makes these units well suited for OEM applications. Other applications include remote monitoring of chemical volume or rate using a computer or PLC.



EM100/102 LOW FLOW
MAGNETIC FLOW METER
SPECIFICATIONS

SPECIFICATIONS

MATERIALS	
Wetted Materials -	<ul style="list-style-type: none">• Body: Kynar™ PVDF• Electrodes: Platinum coated titanium• Internal Seals: Viton™
Housing -	<ul style="list-style-type: none">• ABS
POWER	
	<ul style="list-style-type: none">• 12-24 VDC, 180 mA
ACCURACY	
	<ul style="list-style-type: none">• +/-1% of reading, above 10% of full scale• +/-3% of reading, below 10% of full scale
MAXIMUM FLUID TEMPERATURE	
	<ul style="list-style-type: none">• 185° F
MAXIMUM PRESSURE	
	<ul style="list-style-type: none">• 150 PSI (@ 75° F)
MINIMUM CONDUCTIVITY	
	<ul style="list-style-type: none">• 20 microsiemens
OUTPUTS	
EM100 -	<ul style="list-style-type: none">• Frequency opto isolated 1000 pulse/liter (3785 p/g)
EM102 -	<ul style="list-style-type: none">• 4-20 mA opto isolated passive plus pulse as above

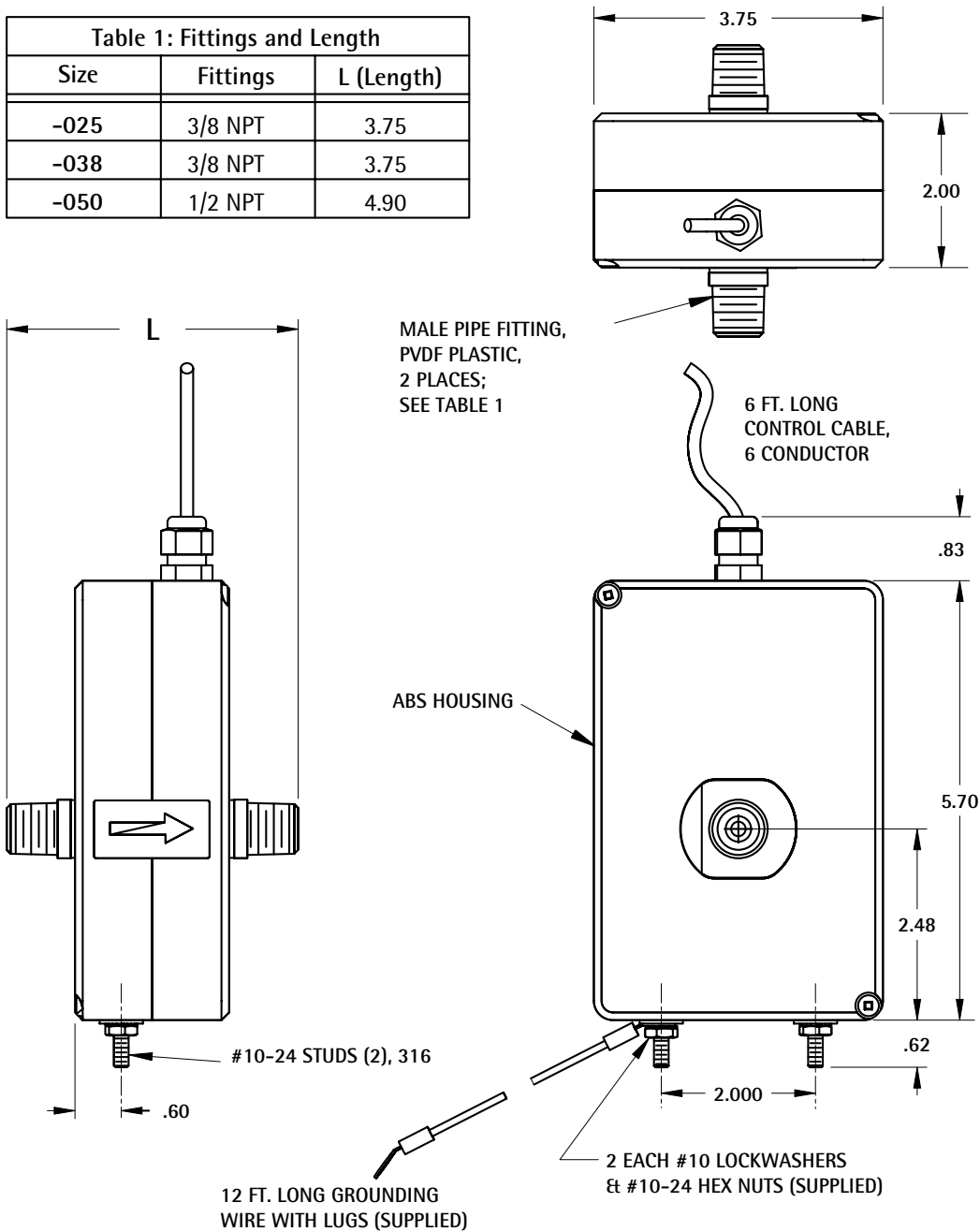
FLOW RANGE

SIZE	NOMINAL FULL SCALE			MIN. FOR 1 1/2% ACCURACY			LOW FLOW CUTOFF		
	L/MIN.	GAL./MIN.	GAL./HR.	L/MIN.	GAL./MIN.	GAL./HR.	L/MIN.	GAL./MIN.	GAL./HR.
-025	3.8	1	60	.38	0.1	6	.04	.009	.54
-038	11	3	180	1.1	.3	18	0.1	.025	1.5
-050	30	8	480	3.0	.8	48	.25	.065	3.9

EM100/102 LOW-FLOW MAGNETIC FLOW METER Specifications

DIMENSIONS

Size	Fittings	L (Length)
-025	3/8 NPT	3.75
-038	3/8 NPT	3.75
-050	1/2 NPT	4.90



HOW TO ORDER

EM100/102 LOW-FLOW MAGNETIC FLOW METER

- EM100-025** - Pulse Output Only, .54 - 60 GPH
- EM100-038** - Pulse Output Only, 1.5 - 180 GPH
- EM100-050** - Pulse Output Only, 3.9 - 480 GPH

- EM102-025** - Pulse and 4-20 mA Output, .54 - 60 GPH
- EM102-038** - Pulse and 4-20 mA Output, 1.5 - 180 GPH
- EM102-050** - Pulse and 4-20 mA Output, 3.9 - 480 GPH



19026 72ND AVE SOUTH, KENT, WA 98032 USA
 (P) 253.872.0284 (F) 253.872.0285
 WWW.SEAMETRICS.COM 1.800.975.8153