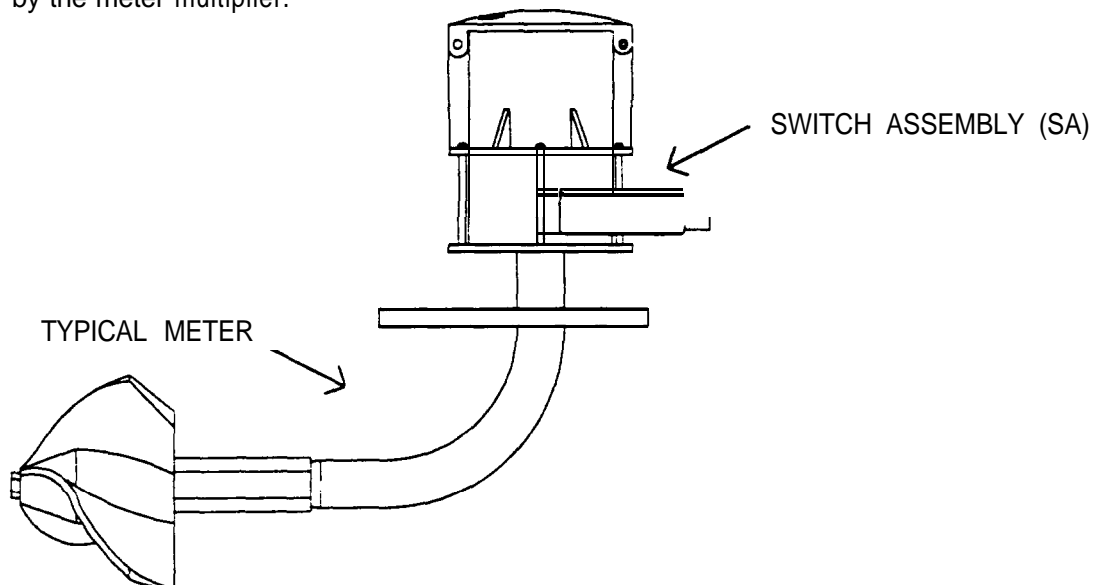


McCROMETER**SA100 SWITCH ASSEMBLY SPECIFICATION****General Description**

The SA100 switch assembly is a single assembly mounted on top of the flow meter beneath the register assembly. The switch assembly uses a fast acting direct drive system containing up to three geared wheels to provide a dry switch closure output at quantitative intervals determined by the meter multiplier.



The SA100 is contained in an aluminum housing, 4.25 inches in diameter and approximately 2 inches high. The transmitter has a standard 1/2 inch electrical LL19 conduit attached by a brass 1/2 inch close nipple.

Specifications

Rated Current: 5 A resistive at 115 VAC 60 Hz

Rated Voltage 28 VDC Maximum

Operation Temperature: -65 to 180 °F

Switching Intervals:

1. Multiplier
2. Multiplier / 10
3. Multiplier * 10

Example Intervals:

- 1 Pulse per 10 Gallon
- 1 Pulse per 100 Gallons
- 1 Pulse per 1000 Gallons
- 1 Pulse per 10,000 Gallons