



Specification Sheet



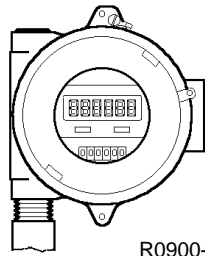
R0900

Description:
Electronic Register

Document #:
24527-18

Rev:
2.0

3255 West Stetson Avenue
Hemet, CA 92545-7799

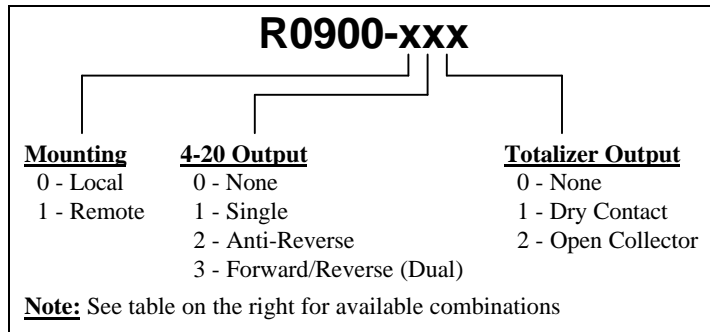


R0900-000

Features:

- ◆ Rugged aluminum housing
- ◆ Programmable LCD Rate indicator
- ◆ Non-resettable programmable electromechanical totalizer
- ◆ Compatible with all Mc propeller meters
- ◆ Local or remote mounting options
- ◆ Industry standard 2-wire 4-20 mA output option
- ◆ Additional pulse and dry contact totalizer output options

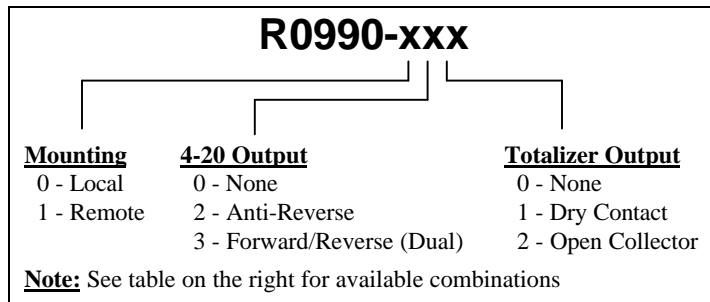
➤ For Meter Sizes of less than 24 inches:



Available Part Numbers:

Model Number	Mounting Option	4-20 mA Output	Totalizer Output*	Meter Sizes
R0900-000	Local			All
R0900-010	Local	Single		Up to 24"
R0900-011	Local	Single	DC	Up to 24"
R0900-012	Local	Single	OC	Up to 24"
R0900-020	Local	Anti-Rev		Up to 24"
R0900-021	Local	Anti-Rev	DC	Up to 24"
R0900-022	Local	Anti-Rev	OC	Up to 24"
R0900-030	Local	Fwd-Rev**		All
R0900-031	Local	Fwd-Rev**	DC	All
R0900-032	Local	Fwd-Rev**	OC	All
R0900-100	Remote			All
R0900-110	Remote	Single		Up to 24"
R0900-111	Remote	Single	DC	Up to 24"
R0900-112	Remote	Single	OC	Up to 24"
R0990-020	Local	Anti-Rev		24" and up
R0990-021	Local	Anti-Rev	DC	24" and up
R0990-022	Local	Anti-Rev	OC	24" and up
R0990-120	Remote	Anti-Rev		All
R0990-121	Remote	Anti-Rev	DC	All
R0990-122	Remote	Anti-Rev	OC	All

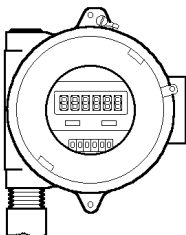
➤ For Meter Sizes of 24 inches and above:



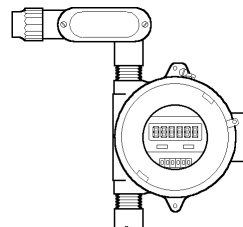
* DC = Dry Contact, OC = Open Collector
** Fwd-Rev = Dual 4-20mA Outputs

Enclosure Configurations:

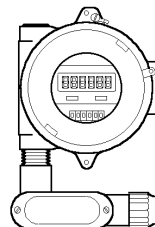
Meter Mounted
R0900-000



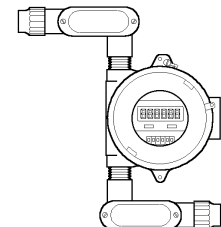
Meter Mounted
4-20mA output option



Remote Mounted
R0900-100



Remote Mounted
4-20mA output option



R0900 Specifications:

General:

Operating Temperature: +25 to +130 degrees F

Enclosure Rating: NEMA 3, 4, 7 B C D, 9 E F G, CENELEC – Eex d II B IP66

LCD Rate Indicator Module:

Number of Rate Digits: 5 (4 significant digits)

Programmable: Yes

Battery: 5+ year lithium battery

Accuracy: ±0.2%

Scaler Range: 0.001 to 9999

Type: 1/Tau

Update Time: 0.7 seconds

Electromechanical Totalizer

Number of Digits: 6

Programmable: Yes (DIP Switches)

Battery: 3+ year lithium battery pack

Resettable: No

Accuracy: Absolute when operated within specifications

Electrical Characteristics (Options):

4-20 mA Output:

Supply Voltage: 16 - 40 VDC

Temperature Coefficient: ±1.0%

Linearity: 0.1%

Accuracy: 0.5% over the entire range

Maximum Resistive Load: Supply Voltage Dependent*

Reverse Voltage Protection: -300V Maximum

Dry Contact Output**:

Type: Relay Contact, Norm. Open

Rated Load (AC): 0.5 A at 125 VAC

Rated Load (DC): 1 A at 30 VDC

Max. Operating Current: 1 A

Max. Switching Power: 30 W, 62.5 VA

Contact Closure Duration: 20 milliseconds

Max. Clicks per Minute: 10

Open Collector Output**:

Type: NPN Darlington, Isolated

Isolation Voltage: 5000 VAC

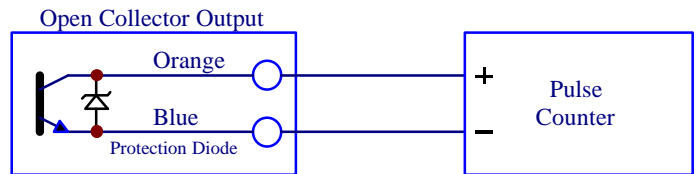
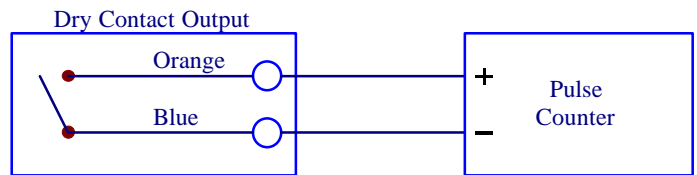
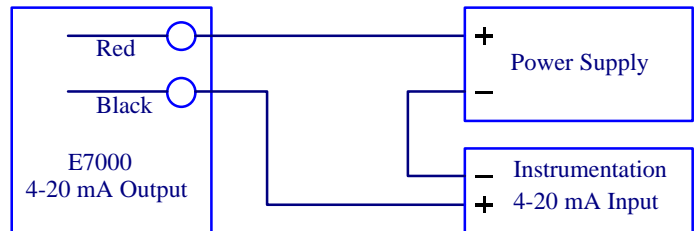
Collector to Emitter Voltage: 40 VDC Maximum

Collector Current: 200 mA Maximum

Pulse Output Duration: 10 milliseconds

Max. Pulses per Minute: 10

Typical Wiring Diagrams:



* - Use formula (Supply Voltage - 16) ÷ 0.02 = Maximum Load(Ω)

** - Totalizer output operates only when power is applied to the 4-20 mA loop.

Sensor Wiring (Remote Mounted Only):

Register Terminal	Connects to	Meter Terminal
Yellow	>>	Red (pair 1)
Violet	>>	Black (pair 1)
Orange*	>>	Red (pair 2)
Blue*	>>	Black (pair 2)

*NOTE: Pair 2 is not present on R0900-x1x models

