

# PRODUCT SPECIFICATION

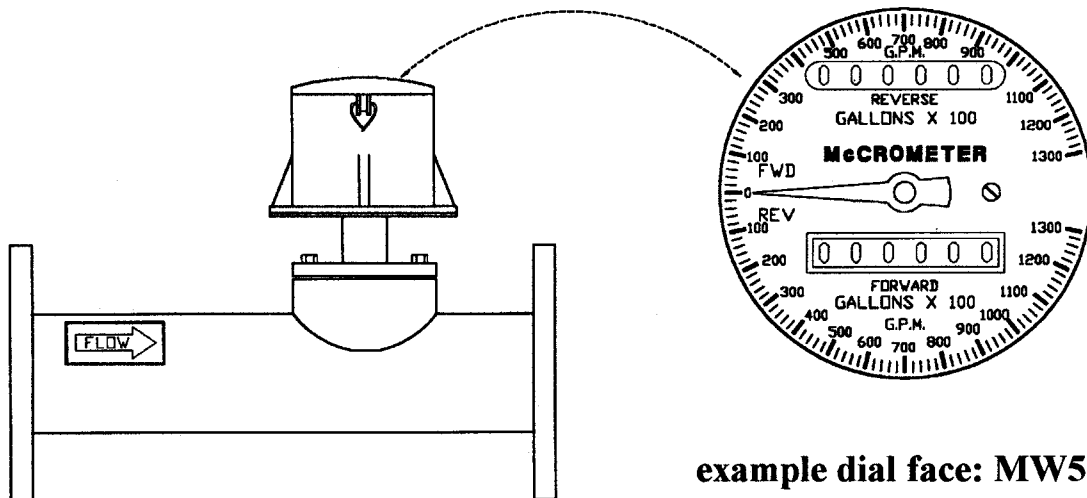
## OT103 FORWARD/REVERSE REGISTER OPTION

### General Description

Registers with the OT103 Forward/Reverse option indicate flowrate and total flow in both the forward and reverse directions. The instantaneous flowrate indicator can be calibrated to show flowrate in gallons per minute, cubic feet per second, miner inches, liters per second, and other standard units of measure. Total flow is measured by two six digit, straight-reading type mechanical totalizers. Each totalizer registers flow in one direction only -- one totalizer registers forward flow and the other registers reverse flow -- due to each totalizer being fitted with anti-reverse gearing\*, i.e. the gear prevents the forward flow totalizer from decreasing when reverse flow occurs and vice versa. The totalizers can be calibrated to accumulate in gallons, cubic feet, acre feet, cubic meters, and other standard units of measurement. Note that the units of measure in both the forward and reverse directions must be the same.

Like all McCrometer mechanical type registers, registers with the OT103 Forward/Reverse option are cased in a hermetically sealed die cast aluminum housing with a domed acrylic lens, a hinged lens cover, and a locking hasp. The registers can be removed and replaced without interrupting service. Changes in meter calibrations are accomplished by exchanging one register assembly for another. Note that registers with this option have the same physical dimensions as other McCrometer mechanical type registers and are, therefore, interchangeable with them.

\*The smallest increment wheel on the odometer can roll back to zero during reverse flow, however the five higher order wheels will loose no counts.



example dial face: MW506

### Specifications

**Accuracy:** no adverse affect -- meter system accuracy is +/-2% of reading across the meter-specific\* flow range.

**Drive Mechanism:** cable driven, positive direct-drive mechanism.

**Connection:** threads onto typical McCrometer propeller meter ell, couples directly to drive cable.

**Indication:** magnetic drag mechanism -- consult factory for available units of measure.

**Totalization:** six digit, straight-reading mechanical odometer -- consult factory for available units of measure.

\*Refer to McCrometer Propeller Meter Product Data sheets for available flow ranges per line size.