



DESCRIPTION

Fabricated epoxy-coated steel top plate assembly, drilled to match ANSI B16.5 150 PSI standard steel flanges with stainless steel drop pipe to be used with Customer-supplied cast iron Tee is supplied with: brass bearing housing, stainless steel bearings, polypropylene impeller, straightening vanes, magnetic drive, instantaneous flow indicator and straight reading six-digit totalizer.

Impellers are manufactured of high-impact plastic, capable of retaining their shape and accuracy over the life of the meter. Each impeller is individually calibrated at the factory to accommodate the use of any standard McCrometer register, and since no change gears are used, the MWC00 can be field-serviced without the need for factory recalibration. Factory lubricated, stainless steel bearings are used to support the impeller shaft.

The sealed bearing design limits the entry of materials and fluids into the bearing chamber providing maximum bearing protection.

The instantaneous flowrate indicator is standard and available in gallons per minute, cubic feet per second, liters per second and other units. The register is driven by a flexible steel cable encased within a protective vinyl liner. The register housing protects both the register and cable drive system from moisture while allowing clear reading of the flowrate indicator and totalizer.

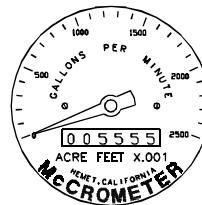
INSTALLATION

Meter may be mounted in any convenient position compatible with the balance of the system, as long as full pipeline is assured.

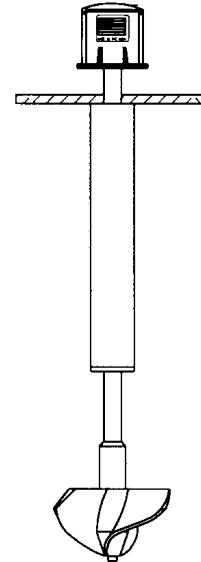
APPLICATIONS

The McCrometer propeller meter is the most widely used flowmeter for municipal and wastewater treatment applications as well as agricultural and turf irrigation measurement. Typical applications include:

- Water and wastewater management
- Center pivot systems
- Sprinkler irrigation systems
- Drip irrigation systems
- Golf course and park water management
- Gravity turnouts from underground pipelines
- Commercial Nurseries



Typical



3255 W. Stetson Avenue, Hemet, CA 92545-7799 USA

Tel (909) 652-6811 Fax (909) 652-3078

e-mail: info@mccrometer.com

Web Site: http://www.mccrometer.com

RIGHT ANGLE TOP PLATE ASSEMBLY MODEL MWC00

SPECIFICATIONS

PERFORMANCE

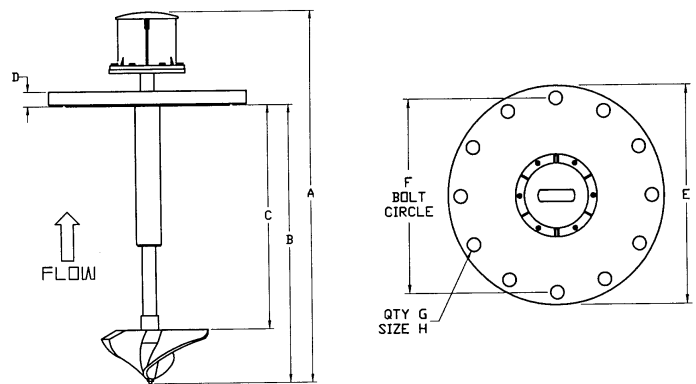
ACCURACY/REPEATABILITY: $\pm 2\%$ of reading
 guaranteed throughout range
 RANGE: (see dimensions chart below)
 HEAD LOSS: (see dimension chart below)
 MAXIMUM TEMPERATURE: (Standard Construction)
 160°F constant
 PRESSURE RATING: 150 psi
 Consult factory for special applications.

MATERIALS

TOP PLATE ASSEMBLY: Epoxy-coated carbon steel
 BEARING ASSEMBLY: Impeller shaft - 316 stainless steel
 Ball bearings - 440C stainless steel
 MAGNETS: Permanent type; cast or sintered alnico
 BEARING HOUSING: Brass; stainless steel optional
 REGISTER: An instantaneous flowrate indicator and
 six-digit straight-reading totalizer is standard. The
 register is hermetically sealed within a die cast
 aluminum case. This protective housing includes a
 domed acrylic lens and hinges cover with locking hasp.

OPTIONS

- Can be fitted with any flange standard including common international standards
- Forward/reverse flow measurement
- Register extensions
- All stainless steel construction
- High temperature construction
- "Over Run" bearing assembly for higher than normal flowrates
- A complete line of flow recording/control instrumentation
- Flow straightening vanes
- Certified calibration test results



McCrometer reserves the right to change design or specification without notice.

MWC00 (UP FLOW) / MWC00 (DOWN FLOW)	DIMENSIONS							
Meter and Nominal Pipe Size (inches)	3	4	6	8	10	12	14	16
Maximum Flow U.S. GPM	250	600	1200	1500	1800	2500	300	4000
Minimum Flow U.S. GPM	40	50	90	100	125	150	250	275
Approx. Head Loss in Inches at Max. Flow	29.50	23.00	17.00	6.75	3.75	2.75	2.00	1.75
Approx. Shipping Weight- lbs.	50	87	128	182	272	370	519	601
A (inches)	24	24 3/4	27 1/2	27 1/2	34 1/2	34 1/2	40 1/2	44 3/4
B (inches)	16	16 3/4	19 1/2	19 1/2	26 7/8	28 3/4	40 1/2	44 3/4
C (inches)	12 1/4	12 1/2	13 1/8	13 1/8	20 1/8	22 1/2	26 1/4	40 3/4
D (inches)	15/16	15/16	1	1 1/8	1 3/16	1 1/4	1 3/8	1 7/16
E (inches)	7 1/2	9	11	13 1/2	16	19	21	23 1/2
F (inches)	6	7 1/2	9 1/2	11 3/4	14 1/4	17	18 3/4	21 1/4
G (no. of bolt holes)	4	8	8	8	12	12	12	16
H (inches)	3/4	3/4	7/8	7/8	1	1	1 1/8	1 1/8

Flanges in accordance with A.S.A., B16.5, A.S.T.M. A181 Grade I.

Larger flowmeters on special order.

FOR MORE INFORMATION CONTACT:



3255 West Stetson Avenue
 Hemet CA 92545-7799 USA
 909-652-6811 / FAX 909-652-3078
 e-mail: info@mccrometer.com
 Web Site: http://www.mccrometer.com