

7720 Series

Type 1, Grade 1 PVC tube meters offer chemical resistance. The dial type display makes measuring opaque fluids simple. A 4-20mA transmitter is optional.

Description

Metering Tube

Type 1, Grade 1 PVC

Internal Components

Hastelloy®C-276

Inlet/Outlet Fittings

NPT or Flange, Vertical

Fitting Material

Type 1, Grade 1 PVC

Elastomers

Standard: Viton

Optional: Buna N, EPR, Kalrez®

Case and Covers

Not applicable

Options

Alarm

Single or Dual, Inductive Slot Sensor

4-20 mA Transmitter

Certified Calibrations

Conform to ISA RP 16.6

Scales

Can be produced in any volumetric unit



PVC Tube

Performance

Capacities

33 GPH to 450 GPM – Water

Scale

120 mm

Direct reading, detachable

Accuracy

± 3% of Full Scale Flow

Turndown

10:1 to 12.5:1

unless otherwise indicated

Repeatability

1 %

Max Temperature

130° F (54° C)

Max Pressure

150 psig, sizes 4 & 6

125 psig, sizes 8, 9, 11, 12

Ambient Temperature

33° F to 125° F (1° C to 52° C)



Alarm Options:

Inductive Slot Sensor

Like inductive ring sensors, slot sensors are 2-wire, DC, low-current devices and are designed to be used with a remote intrinsic safety barrier/switch isolator. Single or dual slot sensors are available for the 7700 Series.

Sensor Specifications

Power Supply: 5-25 VDC (from Switch Isolator)
Max Current, Target Present: 1 mA
Max Current, Target Absent: 15 mA
Temperature Limits: -14°F to +212°F
Output: NAMUR
Repeatability: 0.01 mm
Switching Frequency: 2 kHz
Sensor Approvals*:
UL Listed: General Purpose
FM Approved: Intrinsically Safe*
CSA Certified: Intrinsically Safe*
Cenelec: Intrinsically Safe*

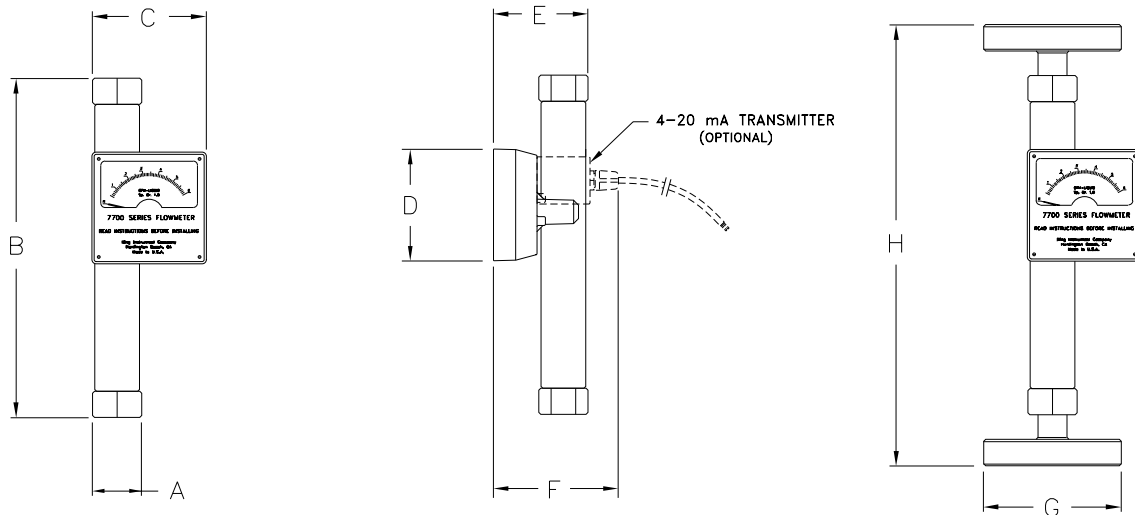
Optional 4-20 mA Transmitter*

Power Supply: 12 to 33 Vdc
Maximum Current Consump.: 40 mA
Temperature Limits: -13° F to 158° F (-25 to 70° C)
Output: 4 to 20 mA dc
Accuracy: <0.5%
Linearity: +0.4%
Influence from bearing play: ±0.1%
Temperature influence (amb): 0.03% per °C
Power supply influence: ±0.1%
Load resistance influence: ±0.1% at R max.

*Specifications shown here are for the transmitter only and should not be confused with the actual performance capabilities of the flowmeter.

Specifications:

Tube Size	Order Number	Full Scale Flow-Water	FNPT	Dimensions (Inches)						With FLANGE Connections	
				With NPT Connections						ANSI CLASS 150 #	
				A	B	C	D	E	F	G	H
4A (.50")	706	33.0 GPH	1/2"	1.312	11	5.125	5	3.375	4.625	3.50	13.125
4A (.50")	708	1.1 GPM	1/2"	1.312	11	5.125	5	3.375	4.625	3.50	13.125
4B (.50")	710	2.0 GPM	1/2"	1.312	11	5.125	5	3.375	4.625	3.50	13.125
4B (.50")	712	4.0 GPM	1/2"	1.312	11	5.125	5	3.375	4.625	3.50	13.125
4B (.50")	714	6.0 GPM	1/2"	1.312	11	5.125	5	3.375	4.625	3.50	13.125
6A (1")	716	5.0 GPM	1"	1.875	13.25	5.25	5	4	4.625	4.25	16.750
6B (1")	718	10.0 GPM	1"	1.875	13.25	5.25	5	4	4.625	4.25	16.750
6B (1")	720	16.5 GPM	1"	1.875	13.25	5.25	5	4	4.625	4.25	16.750
6B (1")	722	25.0 GPM	1"	1.875	13.25	5.25	5	4	4.625	4.25	16.750
8A (1.50")	724	35.0 GPM	1 1/2"	2.375	13.875	5.625	5	4.50	4.625	5.00	18.625
8A (1.50")	726	60.0 GPM	1 1/2"	2.375	13.875	5.625	5	4.50	4.625	5.00	18.625
9A (2")	728	76.0 GPM	2"	3.50	13.875	6.75	5	5.625	4.625	6.00	17.156
9A (2")	730	100.0 GPM	2"	3.50	13.875	6.75	5	5.625	4.625	6.00	17.156
9B (2")	732	120.0 GPM	2"	3.50	13.875	6.75	5	5.625	4.625	6.00	17.156
9B (2")	734	152.0 GPM	2"	3.50	13.875	6.75	5	5.625	4.625	6.00	17.156
11A (3")	736	150.0 GPM	-	-	-	-	-	-	-	7.50	18.187
11A (3")	738	225.0 GPM	-	-	-	-	-	-	-	7.50	18.187
12A (4")	740	300.0 GPM	-	-	-	-	-	-	-	9.00	19.750
12A (4")	742	375.0 GPM	-	-	-	-	-	-	-	9.00	19.750
12B (4")	744	450.0 GPM	-	-	-	-	-	-	-	9.00	19.750



Ordering:

Use the following guide to determine the specific product number you require.

7	7	2	□	4	□	□	□	□
Meter Series	Connection Type	Float Material	O-Ring Material	Optional Alarm/Transmitter	Order Number from			
	NPT Connections - 1 150# R.F. Flanged - 2	Hastelloy® C-276 - 4	EPR - 1 Buna-N - 2 Viton® - 3 Kalrez® - 4	Without Alarm/Transmitter - 0 With Transmitter - T One Alarm (Inductive Slot Sensor) - A Two Alarms (Inductive Slot Sensors) - D	Specifications table above			

Example: 772 - 2 - 4 - 2 - T - 714