

7520 & 7530 Series

Economical machined cast acrylic block construction makes these meters great for OEM use. Optional inlet metering valve available

Description

Metering Tube

Machined Cast Acrylic

Internal Components

316L Stainless Steel

Inlet/Outlet Fittings

NPT, Horizontal

Inlet valve optional

Fitting Material

Standard: PVC (Brass for 2C block size)

Optional: 316L Stainless Steel or Brass

Elastomers

Standard: EPR

Optional: Buna N, Viton, and Kalrez®

Options

Certified Calibrations

Conform to ISA RP 16.6

Scales

Can be produced in any volumetric unit



Acrylic Tube

Performance

Capacities

7 GPM to 20 GPM – Water

2.6 SCFH to 60 SCFM – Air

Scale

50mm, 75mm, 100mm, 127mm, 250 mm

Direct reading

Accuracy

± 6% of Full Scale Flow, 50 mm scale

± 4% of Full Scale Flow, 75 mm scale

± 4% of Full Scale Flow, 100 mm scale

± 7% of Full Scale Flow, 6C-04, 6C-06

± 3% of Full Scale Flow, 127 mm scale

± 2% of Full Scale Flow, 250 mm scale

Turndown

10:1 to 12.5:1 unless otherwise indicated

Repeatability

3%, 50 mm scale

2%, 75 mm scale

2%, 100 mm scale

4%, 6C-04, 6C-06

2%, 127 mm scale

1/2%, 250 mm scale

Max Temperature

130° F (54° C) - Liquid

100° F (38° C) - Gases

Max Pressure

Water – 125 psig

Air – 100 psig

Ambient Temperature

33° F to 125° F (1° C to 52° C)

Materials Of Construction

Model #	7520	7520	7530	7530
Block #	2C	3C, 5C, 6C & 7C	2C	3C, 5C, 6C & 7C
Meter Tube	Cast Acrylic	Cast Acrylic	Cast Acrylic	Cast Acrylic
Fittings	PVC	PVC*	PVC*	PVC*
	Brass*	Brass	Brass*	Brass
	316L SS	316L SS	316L SS	316L SS
O-Rings	EPR*	EPR*	EPR*	EPR*
	Buna-N	Buna-N	Buna-N	Buna-N
	Viton®	Viton®	Viton®	Viton®
Valve Assembly	Not Available	Not Available	Brass*	Brass*
			316L SS	316L SS

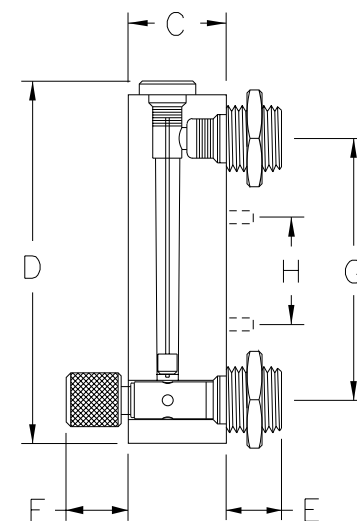
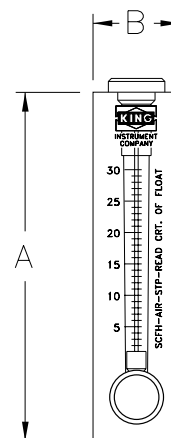
*Denotes standard construction

7520 & 7530 Series

Acrylic Tube

Specifications:

Order Number	Flow Water	Order Number	Flow Air	Dimensions (Inches)						
				A	B	C	D	E	F	G
Block #2C, 50mm (2 Inch) Scale										
-	-	2C-01	2.6 SCFH	4.125	1	1.25	4	.50	1.125	3
-	-	2C-03	5 SCFH	4.125	1	1.25	4	.50	1.125	3
-	-	2C-05	10 SCFH	4.125	1	1.25	4	.50	1.125	3
-	-	2C-07	20 SCFH	4.125	1	1.25	4	.50	1.125	3
2C-02	7 GPH	2C-09	30 SCFH	4.125	1	1.25	4	.50	1.125	3
2C-04	12 GPH	2C-11	60 SCFH	4.125	1	1.25	4	.50	1.125	3
2C-06	22 GPH	2C-13	100 SCFH	4.125	1	1.25	4	.50	1.125	3
2C-08	44 GPH	2C-15	180 SCFH	4.125	1	1.25	4	.50	1.125	3
2C-10	60 GPH	2C-17	4 SCFM	4.125	1	1.25	4	.50	1.125	3
2C-12	75 GPH	-	-	4.125	1	1.25	4	.50	1.125	3
Block #3C, 65mm (2 1/2 Inch) Scale										
3C-02	1 GPM	3C-01	4 SCFM	6.812	1.25	1.375	6.625	1	1.25	5
3C-04	2 GPM	3C-03	8 SCFM	6.812	1.25	1.375	6.625	1	1.25	5
3C-06	3.5 GPM	3C-05	15 SCFM	6.812	1.25	1.375	6.625	1	1.25	5
3C-08	5 GPM	3C-07	23 SCFM	6.812	1.25	1.375	6.625	1	1.25	5
Block #5C, 127mm (5 Inch) Scale										
5C-10	10 GPH	5C-11	42 SCFH	8.375	1.25	1.375	8.25	1	1.25	6.437
5C-12	20 GPH	5C-13	100 SCFH	8.375	1.25	1.375	8.25	1	1.25	6.437
5C-14	40 GPH	5C-15	175 SCFH	8.375	1.25	1.375	8.25	1	1.25	6.437
5C-02	1 GPM	5C-01	4 SCFM	8.375	1.25	1.375	8.25	1	1.25	6.437
5C-04	100 GPH	5C-03	6.8 SCFM	8.375	1.25	1.375	8.25	1	1.25	6.437
5C-06	2 GPM	5C-05	8.2 SCFM	8.375	1.25	1.375	8.25	1	1.25	6.437
5C-08	5 GPM	5C-07	22 SCFM	8.375	1.25	1.375	8.25	1	1.25	6.437
Block #6C, 100mm (4 Inch) Scale										
6C-02	10 GPM	6C-01	40 SCFM	9.125	1.75	1.812	8.875	1.25	1.875	6.50
6C-04	15 GPM	6C-03	60 SCFM	9.125	1.75	1.812	8.875	1.25	1.875	6.50
6C-06	20 GPM	-	-	9.125	1.75	1.812	8.875	1.25	1.875	6.50
Block #7C, 250mm (10 Inch) Scale										
7C-02	2 GPM	7C-01	8 SCFM	14.50	1.75	1.812	14.25	.75	1.875	12.25
7C-04	3.5 GPM	7C-03	14.4 SCFM	14.50	1.75	1.812	14.25	.75	1.875	12.25
7C-06	5 GPM	7C-05	20 SCFM	14.50	1.75	1.812	14.25	.75	1.875	12.25
7C-08	10 GPM	7C-07	42 SCFM	14.50	1.75	1.812	14.25	.75	1.875	12.25



(FULL OPEN)

Connections & Mounting

Block Number	Connection Size	Centerline H	Thread J	Diameter L
2C	1/4" FNPT	-	-	0.625
3C	1/2" MNPT x 1/4" FNPT	3	.25 - 20	1
5C	1/2" MNPT x 1/4" FNPT	3.937	.25 - 20	1
6C	1" MNPT	4	.25 - 20	1.375
7C	1/2" FNPT	8.75	.375 - 24	1.25

Block 2C is supplied with .875" hex mounting nuts on plumbing connections. Blocks 3C, 5C, 6C and 7C have mounting studs depicted in dimension "H" and thread "J".

Ordering:

Use the following guide to determine the specific product number you require.

Meter Series	Fitting Material	O-Ring Material	Valve Material	Order Number
7520 No valve	Brass - 1	EPR - 1	Brass - 1	See Specifications Table
7530 With valve	PVC - 2	Buna-N - 2	316L SS - 2	
	316L SS - 3	Viton® - 3	Without Valve - 0	

Example: 7520 - 1 - 1 - 0 - 5C06