

7510 & 7511 Series

Acrylic block construction with direct reading scale have white screen printed backs to enhance scale readability. Connections are in-line for easy installation.

Description

Metering Tube

Machined Cast Acrylic

Internal Components

316L Stainless Steel

Inlet/Outlet Fittings

NPT, Vertical

Fitting Material

Standard: PVC

Optional: 316L Stainless Steel, Brass

Elastomers

Standard: EPR

Optional: Buna N, Viton

Options

Certified Calibrations

Conform to ISA RP 16.6

Scales

Can be produced in any volumetric unit



Acrylic Tube

Performance

Capacities

7 GPH to 20 GPM – Water

2.6 SCFH to 60 SCFM – Air

Scale

50 mm, 75 mm, 100 mm, 127 mm, 250 mm

Direct reading

Accuracy

± 6% of Full Scale Flow, 50 mm scale

± 5% of Full Scale Flow, 65 mm scale

± 4% of Full Scale Flow, 100 mm scale

± 3% of Full Scale Flow, 127 mm scale

± 2% of Full Scale Flow, 250 mm scale

Turndown

10:1 to 12.5:1 unless otherwise indicated

Repeatability

3%, 50 mm scale

2%, 75 mm scale

2%, 100 mm scale

2%, 127 mm scale

1/2%, 250 mm scale

Max Temperature

130° F (54° C) - Liquid

100° F (38° C) - Gases

Max Pressure

Water – 125 psig

Air – 100 psig

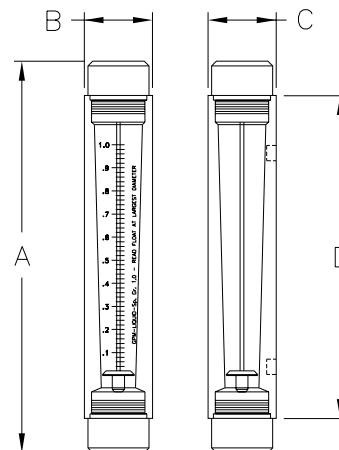
Ambient Temperature

33° F to 125° F (1° C to 52° C)

Materials Of Construction

Model #	7510	7510	7511
Block #	2A	6A & 7A	2B & 5B
Meter Tube	Cast Acrylic	Cast Acrylic	Cast Acrylic
Fittings	Brass*	PVC*	PVC*
	PVC*	Brass	Brass
	316L SS	316L SS	316L SS
O-Rings	EPR*	EPR*	EPR*
	Buna-N	Buna-N	Buna-N
	Viton®	Viton®	Viton®

*Denotes standard construction.



Refer to specification table on page 31

7510 & 7511 Series

Acrylic Tube

Specifications:

Order Number	Flow Water	Order Number	Flow Air	Connection Size	Dimensions (Inches)							
					A	B	C	D	E	F	G	
Block #2A, 50mm (2 Inch) Scale												
-	-	2A-01	2.6 SCFH	1/4" FNPT*	4.75	1	1.125	3.50	1.50	-	1	
-	-	2A-03	5 SCFH	1/4" FNPT*	4.75	1	1.125	3.50	1.50	-	1	
-	-	2A-05	10 SCFH	1/4" FNPT*	4.75	1	1.125	3.50	1.50	-	1	
-	-	2A-07	20 SCFH	1/4" FNPT*	4.75	1	1.125	3.50	1.50	-	1	
2A-02	7 GPH	2A-09	30 SCFH	1/4" FNPT*	4.75	1	1.125	3.50	1.50	-	1	
2A-04	12 GPH	2A-11	70 SCFH	1/4" FNPT*	4.75	1	1.125	3.50	1.50	-	1	
2A-06	22 GPH	2A-13	100 SCFH	1/4" FNPT*	4.75	1	1.125	3.50	1.50	-	1	
2A-08	44 GPH	2A-15	180 SCFH	1/4" FNPT*	4.75	1	1.125	3.50	1.50	-	1	
2A-10	60 GPH	2A-17	4 SCFM	1/4" FNPT*	4.75	1	1.125	3.50	1.50	-	1	
2A-12	75 GPH	-	-	1/4" FNPT*	4.75	1	1.125	3.50	1.50	-	1	
Block #2B, 65mm (2 1/2 Inch) Scale												
2B-02	1 GPM	2B-01	4 SCFM	1/2" FNPT	6.50	1.375	1.375	5	2.50	.937	1.25	
2B-04	2 GPM	2B-03	8 SCFM	1/2" FNPT	6.50	1.375	1.375	5	2.50	.937	1.25	
2B-06	3.6 GPM	2B-05	15 SCFM	1/2" FNPT	6.50	1.375	1.375	5	2.50	.937	1.25	
2B-08	5 GPM	2B-07	20 SCFM	1/2" FNPT	6.50	1.375	1.375	5	2.50	.937	1.25	
Block #5B, 127mm (5 Inch) Scale												
5B-02	1 GPM	5B-01	4.2 SCFM	1/2" FNPT	9.25	1.375	1.375	7.75	5.25	.937	1.25	
5B-04	2 GPM	5B-03	8.2 SCFM	1/2" FNPT	9.25	1.375	1.375	7.75	5.25	.937	1.25	
5B-06	3.5 GPM	5B-05	15 SCFM	1/2" FNPT	9.25	1.375	1.375	7.75	5.25	.937	1.25	
5B-08	5 GPM	5B-07	21 SCFM	1/2" FNPT	9.25	1.375	1.375	7.75	5.25	.937	1.25	
Block #6A, 100mm (4 Inch) Scale												
6A-02	10 GPM	6A-01	40 SCFM	1" FNPT	8.375	1.75	1.812	6.625	4	1.25	1.312	
6A-04	15 GPM	6A-03	60 SCFM	1" FNPT	8.375	1.75	1.812	6.625	4	1.25	1.312	
6A-06	20 GPM	-	-	1" FNPT	8.375	1.75	1.812	6.625	4	1.25	1.312	
Block #7A, 250mm (10 Inch) Scale												
7A-02	2 GPM	7A-01	8 SCFM	3/4" FNPT	13.625	1.75	1.812	11.875	8	1.25	2.50	
7A-04	3.5 GPM	7A-03	14.8 SCFM	3/4" FNPT	13.625	1.75	1.812	11.875	8	1.25	2.50	
7A-06	5 GPM	7A-05	20 SCFM	3/4" FNPT	13.625	1.75	1.812	11.875	8	1.25	2.50	
7A-08	10 GPM	7A-07	42 SCFM	3/4" FNPT	13.625	1.75	1.812	11.875	8	1.25	2.50	

*Block 2A has 1/4" FNPT with Brass or Stainless Steel Fitting, 1/4" MNPT with PVC fittings

Ordering:

Use the following guide to determine the specific product number you require.



Meter Series

7510 - 2A, 6A, 7A

7511 - 2B, 5B

Fitting Material

Brass - 1

PVC - 2

316L SS - 3

O-Ring Material

EPR - 1

Buna-N - 2

Viton® - 3

Order Number

See Specifications Table

Example: 7511 - 2 - 1 - 5B - 08