

7480 Series

This 250 mm scale, economical glass tube meter features 304 stainless steel case construction. NPT or flange, vertical or horizontal connections offer installation versatility.

Description

Metering Tube

Borosilicate Glass

Internal Components

Standard: 316L Stainless Steel

Optional: Hastelloy®C-276

Inlet/Outlet Fittings

NPT or Flange, Vertical or Horizontal

Fitting Material

Standard: 316L Stainless Steel

Optional: PVC (vertical connections only)

Elastomers

Standard: Viton

Optional: Buna N, EPR, and Kalrez®

Case and Covers

304 Stainless Steel

Options

Alarm

Latching reed switch

Certified Calibrations

Conform to ISA RP 16.6

Scales

Can be produced in any volumetric unit

Float Types:



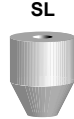
Semi Viscosity Compensation



Maximum Viscosity Compensation



Lowest Pressure Loss



Maximum Flow



Glass Tube

Performance

Capacities

.22 to 132 GPM – Water

.9 to 350 SCFM – Air

Scale

250 mm (10")

Direct reading, detachable

Accuracy

± 2% of Full Scale Flow

Turndown

10:1 to 12.5:1 unless otherwise indicated

Repeatability

1/2%

Max Temperature

316L SS Fittings – 200° F (93° C)

PVC Fittings – 110° F (43° C)

Max Pressure

316L SS Fittings – 300 psig, size 3 & 4

316L SS Fittings – 250 psig, size 5 & 6

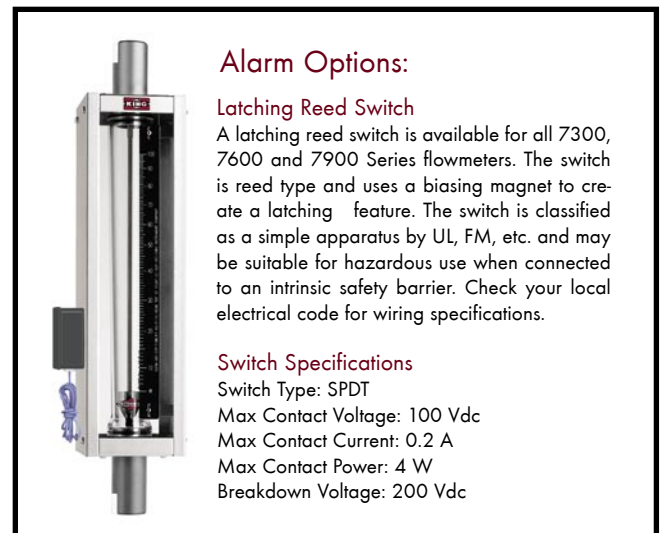
316L SS Fittings – 150 psig, size 8 & 9

PVC Fittings – 150 psig, size 3,4,5 & 6

PVC Fittings – 125 psig, size 8 & 9

Ambient Temperature

33° F to 125° F (1° C to 52° C)



Alarm Options:

Latching Reed Switch

A latching reed switch is available for all 7300, 7600 and 7900 Series flowmeters. The switch is reed type and uses a biasing magnet to create a latching feature. The switch is classified as a simple apparatus by UL, FM, etc. and may be suitable for hazardous use when connected to an intrinsic safety barrier. Check your local electrical code for wiring specifications.

Switch Specifications

Switch Type: SPDT

Max Contact Voltage: 100 Vdc

Max Contact Current: 0.2 A

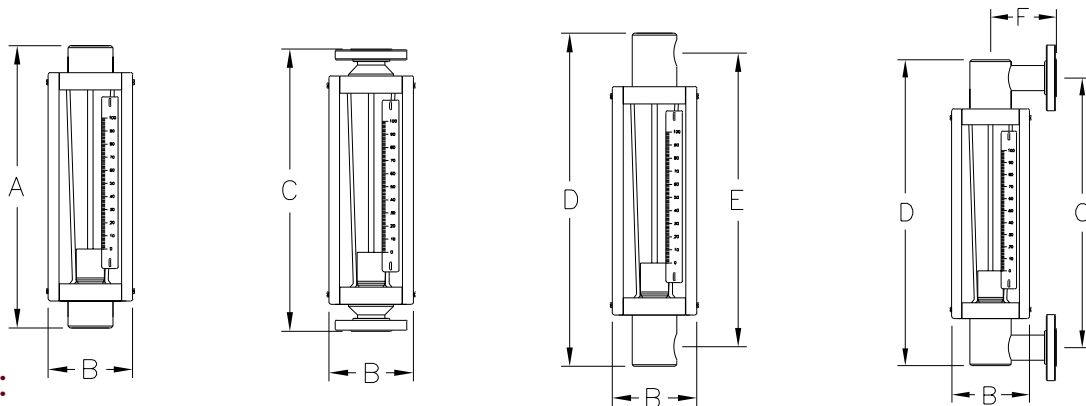
Max Contact Power: 4 W

Breakdown Voltage: 200 Vdc

7480 Series Specifications:

Glass Tube

Order Number	Full Scale Flow GPM - Water	Alarm Options	Order Number	Full Scale Flow SCFM - Air	Alarm Options	Float Number	Float Type	Press. Drop In W.C.	Tube Size - Number	Dimensions (Inches)						Connection Size	
										A	B	C	D	E	F	FNPT	Flange
31W	.22	No	31A	.9	No	3/8-LPG-01	LP	-	3G - 3/8-20-G-10	19.69	4.22	19.69	19.13	17.5	3.5	3/4"	1/2"
32W	.315	No	32A	1.4	No	3/8-SLG-01	SL	2	3G - 3/8-20-G-10	19.69	4.22	19.69	19.13	17.5	3.5	3/4"	1/2"
33W	.64	No	33A	2.7	No	3/8-SLG-02	SL	7	3G - 3/8-20-G-10	19.69	4.22	19.69	19.13	17.5	3.5	3/4"	1/2"
41W	.77	No	41A	3.4	No	1/2-LPG-01	LP	6	4G - 1/2-32-G-10	19.69	4.22	19.69	19.13	17.5	3.5	3/4"	1/2"
42W	1.02	No	42A	4.4	No	1/2-LPG-02	LP	10	4G - 1/2-32-G-10	19.69	4.22	19.69	19.13	17.5	3.5	3/4"	1/2"
43W	1.20	Yes	43A	5.0	Yes	1/2-GVG-01	GV	10	4G - 1/2-32-G-10	19.69	4.22	19.69	19.13	17.5	3.5	3/4"	1/2"
44W	1.44	No	44A	6.1	No	1/2-GSG-01	GS	15	4G - 1/2-32-G-10	19.69	4.22	19.69	19.13	17.5	3.5	3/4"	1/2"
45W	1.92	Yes	45A	8.5	Yes	1/2-SLG-01	SL	28	4G - 1/2-32-G-10	19.69	4.22	19.69	19.13	17.5	3.5	3/4"	1/2"
46W	2.26	Yes	46A	10.2	Yes	1/2-SLG-02	SL	41	4G - 1/2-32-G-10	19.69	4.22	19.69	19.13	17.5	3.5	3/4"	1/2"
51W	1.1	No	51A	4.5	No	3/4-LPG-01	SL	1	5G - 3/4-28-G-10	19.69	4.22	19.69	19.13	17.5	4	3/4"	1"
52W	2.4	Yes	52A	10.0	Yes	3/4-GVG-01	SL	4	5G - 3/4-28-G-10	19.69	4.22	19.69	19.13	17.5	4	3/4"	1"
53W	3.0	Yes	53A	12.0	Yes	3/4-GSG-01	SL	5	5G - 3/4-28-G-10	19.69	4.22	19.69	19.13	17.5	4	3/4"	1"
54W	3.3	Yes	54A	13.2	Yes	3/4-GVG-02	SL	6	5G - 3/4-28-G-10	19.69	4.22	19.69	19.13	17.5	4	3/4"	1"
55W	4.0	Yes	55A	16.4	Yes	3/4-GSG-02	SL	6	5G - 3/4-28-G-10	19.69	4.22	19.69	19.13	17.5	4	3/4"	1"
56W	5.2	Yes	56A	22.0	Yes	3/4-SLG-01	SL	18	5G - 3/4-28-G-10	19.69	4.22	19.69	19.13	17.5	4	3/4"	1"
61W	6.9	Yes	-	-	No	1-LPG-02	LP	4	6G - 1-32-G-10	19.69	4.22	19.69	19.13	17.5	4	3/4"	1"
62W	9.8	Yes	-	-	No	1-SLG-01	SL	8	6G - 1-32-G-10	19.69	4.22	19.69	19.13	17.5	4	3/4"	1"
63W	12.6	Yes	-	-	No	1-SLG-02	SL	13	6G - 1-32-G-10	19.69	4.22	19.69	19.13	17.5	4	3/4"	1"
64W	6.7	No	64A	27.0	No	1-LPP-01	LP	4	6P - 1-40-P-10	19.69	4.22	19.69	19.13	17.5	4	3/4"	1"
65W	7.4	No	65A	30.0	No	1-GVP-01	GV	6	6P - 1-40-P-10	19.69	4.22	19.69	19.13	17.5	4	3/4"	1"
66W	8.5	No	66A	35.0	No	1-GVP-02	GV	8	6P - 1-40-P-10	19.69	4.22	19.69	19.13	17.5	4	3/4"	1"
67W	10.4	No	67A	42.5	No	1-GSP-01	GS	10	6P - 1-40-P-10	19.69	4.22	19.69	19.13	17.5	4	3/4"	1"
68W	11.6	No	68A	46.5	No	1-GVP-03	GV	15	6P - 1-40-P-10	19.69	4.22	19.69	19.13	17.5	4	3/4"	1"
69W	12.0	No	69A	50.0	No	1-GSP-02	GS	14	6P - 1-40-P-10	19.69	4.22	19.69	19.13	17.5	4	3/4"	1"
610W	15.6	No	610A	63.0	No	1-GSP-03	GS	24	6P - 1-40-P-10	19.69	4.22	19.69	19.13	17.5	4	3/4"	1"
611W	21.6	Yes	611A	100.0	Yes	1-SLP-01	SL	61	6P - 1-40-P-10	19.69	4.22	19.69	19.13	17.5	4	3/4"	1"
612W	27.5	Yes	-	-	No	1-SLP-02	SL	85	6P - 1-40-P-10	19.69	4.22	19.69	19.13	17.5	4	3/4"	1"
613W	34.5	Yes	-	-	No	1-SLP-03	SL	110	6P - 1-40-P-10	19.69	4.22	19.69	19.13	17.5	4	3/4"	1"
84W	17.0	No	84A	70.0	No	1 1/2-GVP-01	LP	2	8P - 1 1/2-32-P-10	19.69	5.90	19.69	23.26	20.5	5	1 1/2"	1 1/2"
85W	21.2	No	85A	87.0	No	1 1/2-GVP-02	LP	4	8P - 1 1/2-32-P-10	19.69	5.90	19.69	23.26	20.5	5	1 1/2"	1 1/2"
86W	22.2	No	-	-	No	1 1/2-GSP-01	LP	6	8P - 1 1/2-32-P-10	19.69	5.90	19.69	23.26	20.5	5	1 1/2"	1 1/2"
87W	24.8	No	87A	102.0	No	1 1/2-GVP-01	GV	10	8P - 1 1/2-32-P-10	19.69	5.90	19.69	23.26	20.5	5	1 1/2"	1 1/2"
88W	28.5	No	-	-	No	1 1/2-GSP-02	GV	20	8P - 1 1/2-32-P-10	19.69	5.90	19.69	23.26	20.5	5	1 1/2"	1 1/2"
89W	35.0	No	-	-	No	1 1/2-GSP-03	GS	24	8P - 1 1/2-32-P-10	19.69	5.90	19.69	23.26	20.5	5	1 1/2"	1 1/2"
94W	41.5	No	94A	170.0	No	2-LPG-01	LP	2	9P - 2-30-P-10	19.69	5.90	19.69	23.26	20.5	5	1 1/2"	1 1/2"
95W	58.0	No	95A	240.0	No	2-LPG-02	LP	6	9P - 2-30-P-10	19.69	5.90	19.69	23.26	20.5	5	1 1/2"	1 1/2"
96W	65.0	No	96A	270.0	No	2-LPG-03	LP	10	9P - 2-30-P-10	19.69	5.90	19.69	23.26	20.5	5	1 1/2"	1 1/2"
97W	85.0	No	97A	350.0	No	2-SLP-00	SL	40	9P - 2-30-P-10	19.69	5.90	19.69	23.26	20.5	5	1 1/2"	1 1/2"
98W	100.0	No	-	-	No	2-SLP-01	SL	50	9P - 2-30-P-10	19.69	5.90	19.69	23.26	20.5	5	1 1/2"	1 1/2"
99W	132.0	No	-	-	No	2-SLP-02	SL	60	9P - 2-30-P-10	19.69	5.90	19.69	23.26	20.5	5	1 1/2"	1 1/2"



Ordering:

Use the following guide to determine the specific product number you require.

7	4	8					*	
---	---	---	--	--	--	--	---	--

Fitting Type/Material

- Vertical FNPT - 316L SS - 1
- Horizontal FNPT - 316L SS - 2
- Vertical Flange - 150# - 3
- Vertical Flange - 300# - 4
- Horizontal Flange - 150# - 5
- Horizontal Flange - 300# - 6
- Vertical FNPT-PVC - 7 (not for air service)

Float Material

- 316L SS - 2
- Hastelloy® C-276 - 4

O-Ring Material

- EPR - 1
- Buna-N - 2
- Viton® - 3
- Kalrez® - 4

Order Number

- See Specifications
- Table

Alarm Option

- Check Specifications
- Table For Availability
- Without Alarm - 0
- With Alarm - 1

Example: 748 - 1 - 2 - 3 - 61W - 0

* Only use this box with order numbers 610W thru 613W. Otherwise leave blank