

# 7100 Series

All 316L stainless steel construction makes this meter suitable for low flow - high pressure application.

## Description

**Metering Tube**  
316L Stainless Steel

**Internal Components**  
316L Stainless Steel  
Hastelloy®C-276

**Inlet/Outlet Fittings**  
1/4" FNPT, Horizontal  
Inlet valve optional

**Fitting Material**  
316L Stainless Steel

**Connection Type**  
1/4" FNPT

**Elastomers**  
Standard: Viton  
Optional: Buna N, EPR, and Kalrez®

**Case and Side Cover**  
Die Cast Aluminum

## Options

**Alarm**  
Single, Inductive Slot Sensor

**Certified Calibrations**  
Conform to ISA RP 16.6

**Scales**  
Can be produced in any volumetric unit

**Rear Mounting Bracket**  
304 Stainless Steel



## Stainless Steel Tube

## Performance

**Capacities**  
.16 to 25 GPH - Water  
.6 to 95 LPH - Water

1 to 120 SCFH - Air  
28.3 to 3400 SLPH - Air

**Scale**  
60 mm (2") Direct reading

**Accuracy**  
± 5% of Full Scale Flow

**Turndown**  
10:1 to 12.5:1 unless otherwise indicated

**Repeatability**  
1 %

## Max Temperature

O-ring Material	Max Temperature
EPR	300° F (149° C)
Buna N	275° F (135° C)
Viton®	400° F (204° C)
Kalrez®	400° F (204° C)
No O-ring	400° F (204° C)

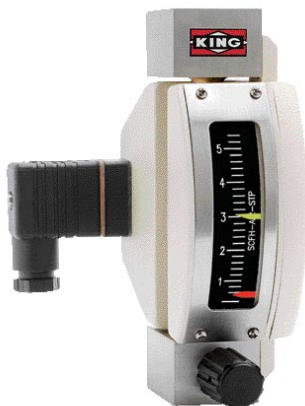
## Max Pressure

Valve models - 1500 psig  
Non-valve models - 4000 psig

## Ambient Temperature

33° F to 125° F (1° C to 52° C)

Viton® and Kalrez® are registered trademarks of DuPont Dow Elastomers



The alarm mechanism in this flowmeter is an inductive slot sensor. It is a 2-wire, DC, low current device. It is designed to be used with a switch isolator/barrier. Intrinsically safe alarm components are also available.

## Note:

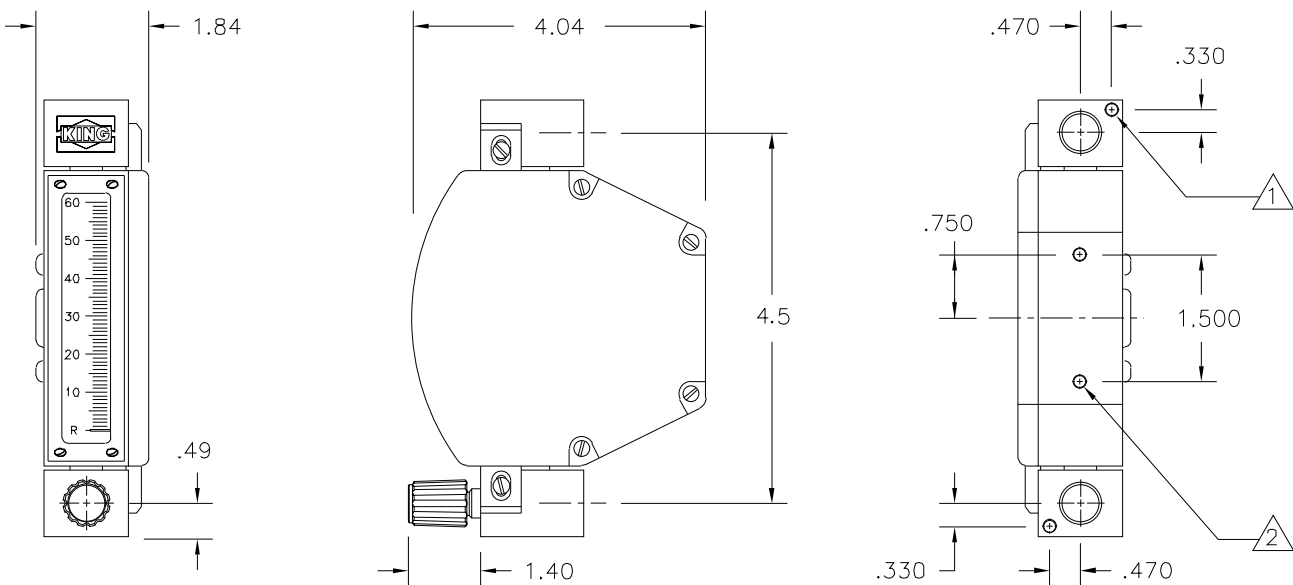
We can supply switch isolator/barriers upon request. User power supply voltage must be provided

## Specifications:

Order Number	Full Scale Flow Water GPH	Order Number	Full Scale Flow Water LPH
00W1	.16	00W2	.6
02W1	.6	02W2	2.4
04W1	1.2	04W2	4.5
06W1	2.8	06W2	10.5
08W1	5.5	08W2	20
10W1	12	10W2	45
12W1	25	12W2	95

Order Number	Full Scale Flow Air SCFH	Order Number	Full Scale Flow Air SLPH
00A1	1	00A2	28.3
01A1	2.5	01A2	70
03A1	5.5	03A2	155
05A1	13	05A2	360
07A1	24	07A2	680
09A1	55	09A2	1550
11A1	120	11A2	3400

## Dimensions (Inches)



① 10 - 32 THREADED PANEL MOUNTING HOLES - 2 PLACES

② 10 - 32 THREADED HOLE FOR INSTALLING THE OPTIONAL BACK MOUNTING BRACKET - 2 PLACES

## Ordering:

Use the following guide to determine the specific product number you require.



Meter Series	Material of Construction	O-ring Material	Scale Type	Valve Options	Optional Alarm	Order Number
	316L SS - 1 Hastelloy® C-276 - 2	No O-ring - 0 EPR - 1 Buna-N - 2 Viton - 3 Kalrez - 4	Millimeter - 1 GPH - Water - 2 LPH - Water - 3 SCFH - Air - STP - 4 SLPH - Air - STP - 5 Non-Standard - 6	Valve on Inlet 316L SS - 1 Valve on Outlet 316L SS - 2 No Valve - 3 Valve on Inlet Hastelloy® C-276 - 4 Valve on Outlet Hastelloy® C-276 - 5	No Alarm - 0 With Alarm - A	See Specification Table Above

**Example:** 710-1-3-2-1-A-10W