

P1000

Desktop / Handheld Serial Printer

Features

- Dot Matrix Printer
- Uses Standard 2.25" Plain Paper Roll
- 24 or 40 Column Printing
- Standard Epson™ Ribbon
- Internal 2KB Buffer
- RS232 With Selectable Baud Rate
- Will Operate for 2 Hours on Internal Batteries for Hand Held Applications

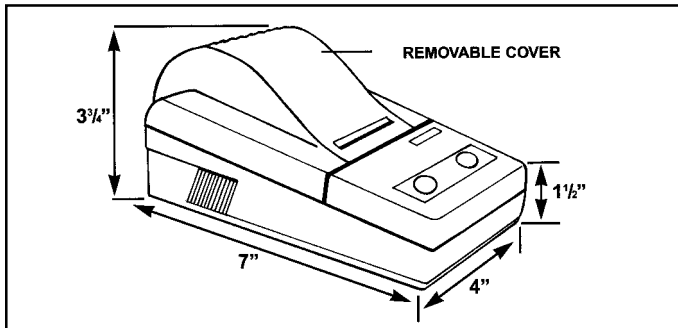
Applications:

- Logging data from KEP instruments
- Remote messages printing
- Real-time-clock (optional) for time and date stamp
- Plain paper for long lasting record keeping

Description:

The P1000 printer is a top quality, impact dot matrix micro printer. It is small, light weight, and low in cost, but extremely powerful in performance. This model is portable and designed for applications where regular desktop printers are unnecessary and space is limited. The P1000 is ideal for many uses such as logging data from KEP instruments, direct recording measurements from digital hand tools or electronic scales, remote message printing and more.

Dimensions:



Ordering Information

EXAMPLE P1000 1 C

Series _____

P1000 Printer

Operating Voltage _____

1 = 110V AC adaptor

2 = 230V AC adaptor

3 = 12V DC power cord

Options _____

C = Real Time Clock

(not required for ST1, ST1LE, ST2, LT2)

Accessories

P1AR = Ink Ribbon

P1AA230 = 230V Adapter

P1AA110 = 110V Adapter

P1AC25M9MC = 6', Printer cable for ST1 & ST2

P1AC25M9FC = 6', Printer cable for MRT & INT69

P1AC25M25MS = 6', Printer cable for all 'trolls



Specifications:

Character Types:

448 defined characters include:
96 standard ASCII characters
Math symbols
Printing symbols
Block graphic characters
32 user defined characters

Print Method:

Impact Dot Matrix

Character:

Standard characters 5x7 dot matrix

compositions:

Block graphic char. 6x8 dot matrix

User definable char. 6x8 dot matrix

Dimension:

7" x 4" x 3.25"

Baud Rate:

Selectable baud rate & parity setting by key combinations (1200,2400,4800,9600)

Print Speed:

40 lines per minute

Control Commands:

35 codes, IBM/EPSON

Input Buffer:

2k bytes, expandable to 4k

Interface:

RS-232C, 25 pin D-SUB, RS connector

Power:

7.5 volt DC input, max. current 750mA with Internal Battery Pack 110V AC/DC to 7.5V DC adapter supplied.

Paper:

Plain adding machine type paper roll, internal mounting up to 130'x2.25" size roll

Ink Ribbon:

Porelon ERC 09 or equivalent

Options:

220V AC/DC adapter

12VDC adapter

Real Time Clock for time and date stamp at command