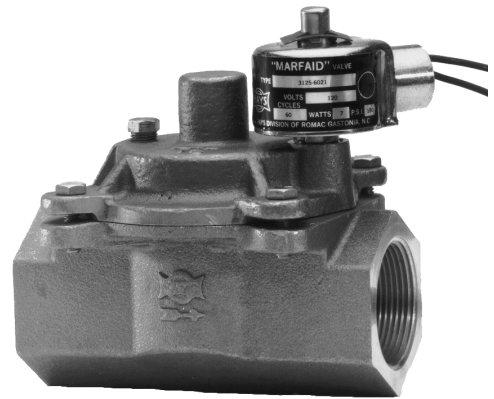


### Series 3125

- 2-Way Normally Closed
- Pilot Operated
- Diaphragm Type
- Bronze Construction
- Wide Variety of Voltages
- Maximum Temperature 190° F
- Pressure Range 5 - 150 psi
- Horizontal or Vertical Installation



3/4" & 1" Sizes



1 1/4", 1 1/2", 2", 2 1/2" x 3", & 3" Sizes

## SPECIAL FEATURES

### Large fill requirements accomplished quickly

Full ported flow-way and large body chamber gives maximum flow with minimum pressure drop.

### Reliable operation

Design feature of the valve closing with the pressure provides positive closing and prevents leakage. Will not jam on small particles such as sand.

### Fail safe features

Valve automatically closes should electricity fail or flexing portion of the diaphragm be ruptured.

### Long life means real savings

Valve design is frost proof and the valve cap and body are of durable cast bronze. All materials are selected for maximum service life.

### Versatile installation

Valve can be installed in both vertical and horizontal piping. The bleed screw feature offers the convenience of manual (non-electrical) operation during installation.

### Easy access to internal components

Entire Valve Cap and Solenoid can be removed as a unit to provide easy access to internal components. Correct reassembly is assured by use of an asymmetrical bolt pattern.

**TYPICAL APPLICATIONS**

- Commercial Laundry Equipment and Facilities
- Dishwashers
- Bottlewashers
- Pot & Pan Washers
- Car & Truck Wash Facilities
- Irrigation
- Humidification
- Poultry Incubators / Watering Equipment
- Industrial Maintenance, Repair and Operation
- Water Reclamation
- Fountain Displays

**TO ORDER MARFAID**

Series 3125-Water	
Catalog Number	Voltage
3125 - 6421	24V AC 60 HZ
3125 - 6021	120V AC 60HZ
3125 - 6521	208V AC 60HZ
3125 - 6121	240V AC 60HZ

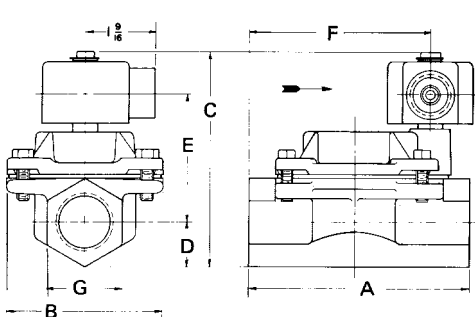
**Note:** All Voltages available in all sizes  
**Sizes Available** 3/8", 1/2", 3/4", 1", 1 1/4", 1 1/2", 2", 2 1/2" x 3", 3"

**To Order:** Specify Catalog Number & Size

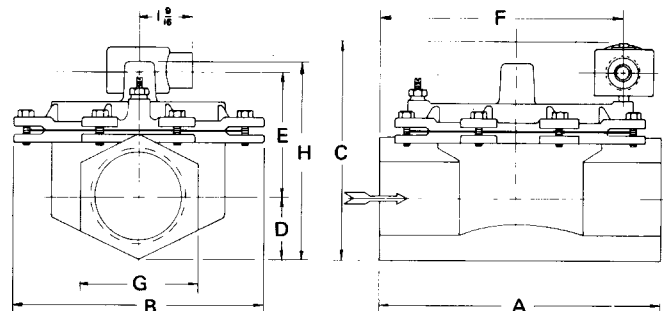
**Example:** Marfaid Valve with 120 volt AC Solenoid, Pipe Size 1 1/2", Medium is water.

**Order:** 3125 - 6021 1 1/2"

**DIMENSIONAL DATA**



**Series 3125 — 3/4" and 1"**

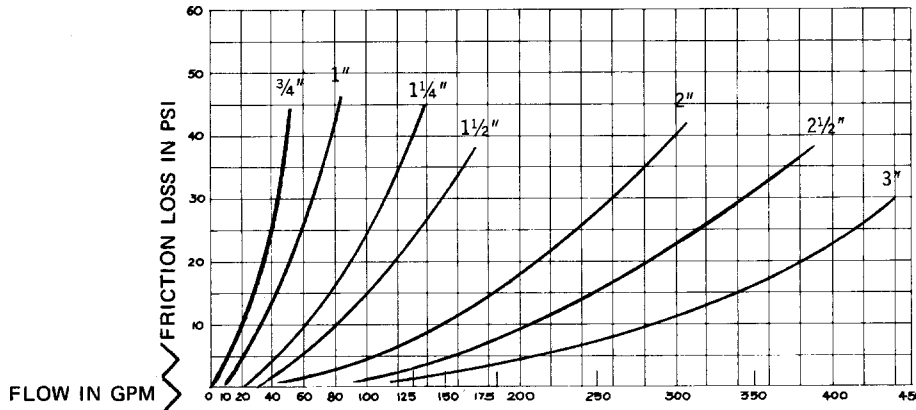


**Series 3125 — 1 1/4", 1 1/2", 2", 2 1/2" x 3", and 3"**

### FLOW CAPACITY CHART

The average friction loss or pressure drop and GPM flow rates shown apply to 3125 Valves.

- Valves require a minimum 5 psi pressure drop for reliable operation.
- Valves should be sized according to flow requirements (G.P.M.) not pipe size.



1-17

#### PIPE SIZE (VALVE SIZE)

Dimension	3/4"	1"	1 1/4"	1 1/2"	2"	2 1/2"	3"
A	4 5/8"	4 7/8"	5"	5 1/2"	6 1/2"	9 3/4"	9 3/4"
B	3 3/8"	3 5/8"	3 7/8"	4 1/8"	5"	7 7/8"	7 7/8"
C	4 3/8"	4 5/8"	5 1/8"	5 1/2"	6 1/8"	7 13/16"	7 13/16"
D	1 3/16"	1 5/16"	1 3/16"	1 3/8"	1 11/16"	2 3/8"	2 3/8"
E	2 5/8"	2 3/4"	3"	3 3/16"	3 1/2"	4 7/16"	4 7/16"
F	3 13/16"	4"	4 1/8"	4 3/8"	5 5/16"	7 13/16"	7 13/16"
G	1 3/8"	1 5/8"	2 1/16"	2 3/8"	2 7/8"	4 1/8"	4 1/8"
H	—	—	4 3/8"	4 3/4"	5 9/16"	7 1/4"	7 1/4"

Pipe Size	3/4"	1"	1 1/4"	1 1/2"	2"	2 1/2"	3"
Cv Flow Factor	9.1	13	21	26	47	65	81

**NOTE:** Cv Factor - The quantity of 60°F water, expressed in gallons per minute which will flow through a valve with a one psi pressure drop.

Recommended for water, and liquids compatible with bronze 302, 305, and 430 Stainless Steel and Ethylene Propylene.

### TECHNICAL DATA

Solenoid Electrical Data	Voltage	Catalog Number	Max. Watts. Holding	Max. Volts Amps. In Rush / Holding		Duty
Coil with ½" N.P.T. Conduit	24V. 60 Hz	75734	6	31	14	Continuous
Outlet and 30" Lead Wire	120V. 60 Hz	75709	6	29	12	Continuous
Solenoid Fits All Valves	208V. 60 Hz	74268	6	32	16	Continuous
	240V. 60 Hz	75911	7	28	14	Continuous

Consult factory for other voltages and coil with ground wires.

### PARTS LIST

#### Series 3125 - For Industrial Applications

¾" • 1" • 1¼" • 1½" • 2" • 2½" • 2½"x 3" • 3"

SERIES 3125							
	¾"	1"	1¼"	1½"	2"	2½"	3"
Cap Assembly	11125	11133	11355	11353	11351	31021	31020
Cap	7689803	7689403	7688704	7688304	7714601	7714701	7714801
Bleed Screw	85525	————>	————>	————>	————>	————>	————>
* Plunger Assembly	7419706	————>	————>	————>	————>	————>	————>
* Plunger Spring	84198	————>	————>	————>	————>	————>	————>
Bonnet w/ Bonnet Insert	7419202	————>	————>	————>	————>	————>	————>
Bonnet Nut	84194	————>	————>	————>	————>	————>	————>
* Bonnet Gasket	84195	————>	————>	————>	————>	————>	————>
Needle Stem						86335	————>
"O" Ring						86250	————>
Needle Stem Retainer						86336	————>
*Solenoid Retainer	82958	————>	————>	————>	————>	————>	————>
Diaphragm Assembly	10984	11378	11356	11354	11352	11396	11393
* Strainer Basket	86565	————>	————>	————>	————>	————>	————>
* Positioning Eyelet	86364	————>	————>	————>	————>	————>	————>
Bolts	85502	————>	————>	————>	85459	————>	————>
*Spring	82486	82488	————>	————>	84554	————>	————>
*Diaphragm Only	87110	87111	86858	86862	79000	87200	78954

**Note:** Diaphragm Assembly consists of diaphragm, diaphragm top plate, diaphragm bottom plate, lock washer, pilot rod extension, nut, and pilot rod, strainer basket for inlet port and positioning eyelet for outlet port shipped with assembly.

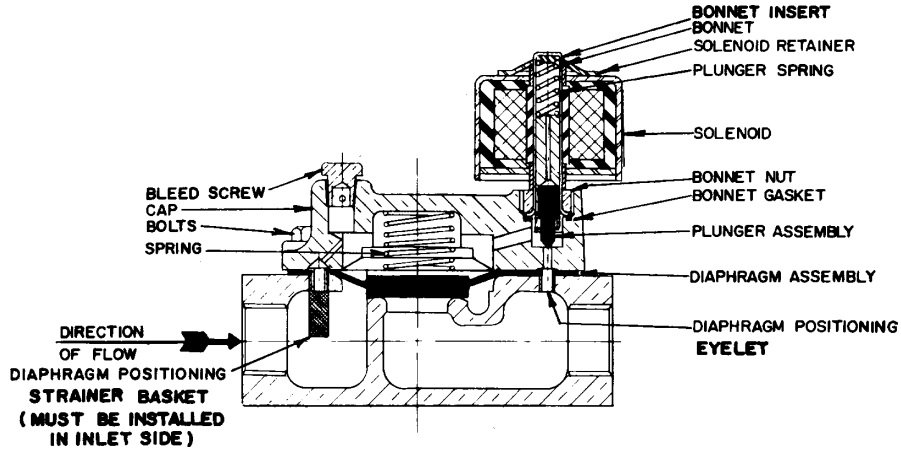
Spanner Bonnet Nut Tool - 84539\*

*Repair Kit	11583	11584	11585	11586	11587	11588	11589
-------------	-------	-------	-------	-------	-------	-------	-------

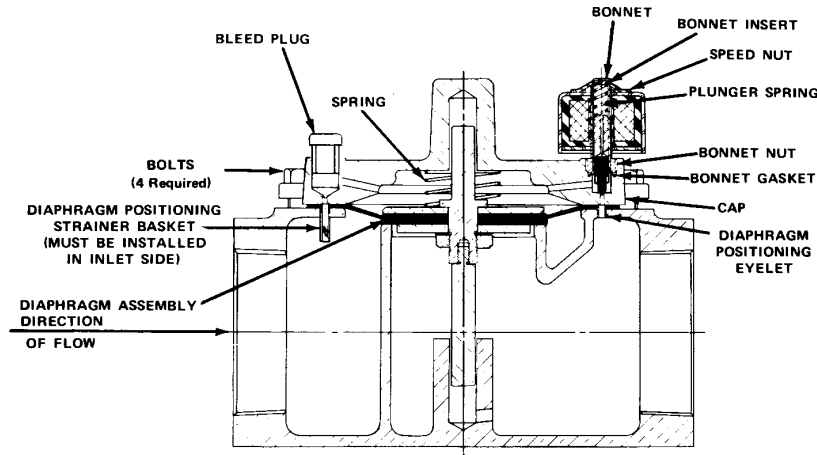
**NOTE:** For size 2½"x3", use 3" parts

**PARTS IDENTIFICATION**

**3/4", 1"**  
**3125 Series**  
**with Bleed Screw**



**1 1/4", 1 1/2", 2"**  
**3125 Series**  
**with Bleed Screw**



**2 1/2" x 3", 3"**  
**3125 Series**  
**with Closing-Time**  
**Adjustment and**  
**Bleed Screw**

