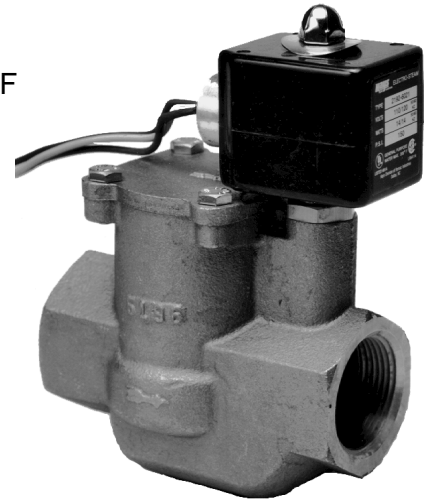


**Series 2192 — Solenoid Valves**

- 2-Way Normally Closed
- Pilot Operated
- Piston Type
- UL Listed
- Bronze Construction
- Maximum Temperature 365°F
- Pressure Range 5 -150 psi
- Horizontal Installation
- Class H requirements



**Series 2192**  
**3/8", 1/2", 3/4" Sizes**



**Series 2192**  
**1", 1 1/4", 1 1/2", & 2" Sizes**

**SPECIAL FEATURES****Maximum flow**

Minimum Pressure Drop. Internal design of this pilot operated, piston type valve assures exceptional flow performance.

**Reliable operation**

A proven design with millions of cycles in operation are evidence of the reliability of the Electro-Steam.

**Two-way Normally Closed**

Line pressure assures positive valve closing and maintains shutoff.

**Long life means real savings**

Lead wires & coil have high temperature insulation. Internal components are of materials which provide low friction and minimum wear.

**Design simplicity**

Electro-Steam has only two moving parts which means consistent performance and low maintenance.

**Easy access to all components**

Removal of the bonnet and/or cap provides easy access to the two internal components making maintenance, when necessary, easy and convenient.

**TYPICAL APPLICATIONS**

- Automatic and Remote Control of Steam
- Commercial Laundry Equipment & Facilities
- Commercial Dishwashers
- Bottlewashers
- Pot & Pan Washers
- Industrial Maintenance Repair and Operation
- Boiler Blow Down

**TO ORDER ELECTRO-STEAM**

1-10

Series 2192-Steam	
Catalog Number	Voltage
2192 - 6721	12V DC
2192 - 6821	24V DC
2192 - 6421	24V AC 50/60HZ
2192 - 6021	120V AC 60HZ 110V 50HZ
2192 - 6521	208V AC 60HZ
2192 - 6121	240V AC 60HZ 220V 50HZ
<p><b>Note:</b> All Voltages available in all sizes  <b>Sizes Available</b> 3/8", 1/2", 3/4", 1", 1 1/4", 1 1/2" and 2"</p>	

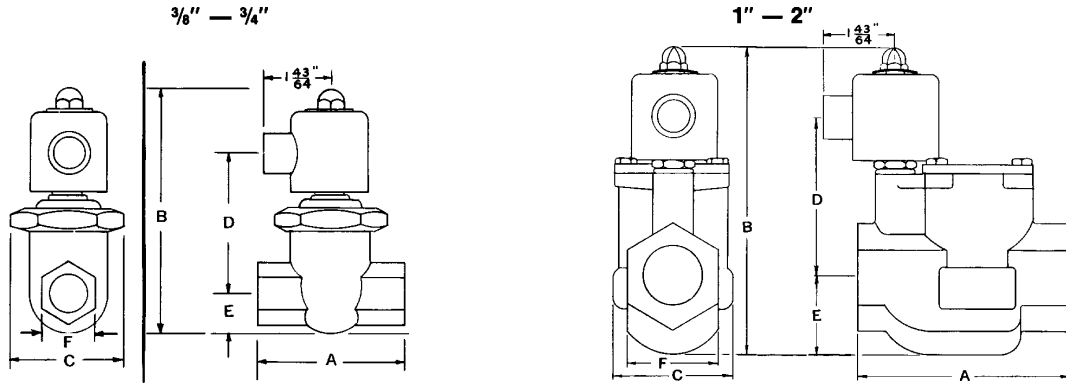
**To Order:** Specify Catalog Number & Size

**Example:** Electrosteam Valve with 120 volt AC Solenoid, Pipe Size 3/4" , Medium is steam.

**Order:** 2192 - 6021 3/8"

### TECHNICAL DATA

#### Dimensions

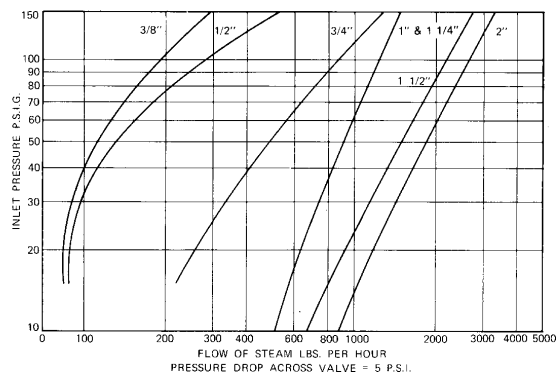
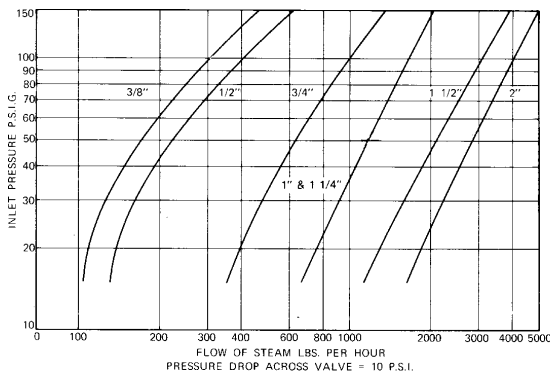


Dimensions	Pipe Size (Valve Size)					
	3/8"	1/2"	3/4"	1" & 1 1/4"	1 1/2"	2"
A	2 17/32"	2 21/32"	3 3/4"	4 13/16"	5 7/16"	6 1/32"
B	5 1/16"	5 1/16"	6 1/32"	6 31/32"	7 11/32"	8 3/16"
C	1 31/32"	1 31/32"	2 13/16"	2 3/4"	3 1/8"	3 3/4"
D	2 27/32"	2 27/32"	3 1/2"	3 5/8"	4 5/16"	4 21/32"
E	1 1/16"	1 1/16"	1"	1 3/4"	1 1/2"	1 15/16"
F	1 5/16"	1 3/32"	1 3/8"	2 1/16"	2 3/8"	2 7/8"

PIPE SIZE	3/8"	1/2"	3/4"	1"	1 1/4"	1 1/2"	2"
Cv FLOW FACTOR	2.3	3.3	7.5	9.8	15	28	39

**NOTE:** Cv Factor - The quantity of 60°F water, expressed in gallons per minute which will flow through a valve with a one psi pressure drop.

### FLOW CAPACITY CHARTS



- \* Electrosteam requires minimum 5 psi pressure differential for reliable operation.
- \* Must be installed in horizontal piping with solenoid in vertical position.
- \* Valve should be sized to flow requirement not pipe size.
- \* Average closing time: 3/8" — 3/4" 1-3 sec., 1" — 2" 2-5 sec.

### Series 2192 Valve — Class H — 5 to 150 psi — 365° F.

Solenoid Electrical Data	Volts	Catalog Number	Max. Watts. Holding	Amps Inrush	Amps Holding	Duty
Coil with 1/2" NPT Conduit outlet and 30" lead wires. Fits all valve sizes.	12 V. DC	88919	24		2	Continuous
	24 V. DC	88920	24		1	Continuous
	24 V. AC	88922	12	1.68	0.97	Continuous
	120 V. AC	88923	14	0.68	0.22	Continuous
	208 V. AC	88924	12	0.19	0.11	Continuous
	240 V. AC	88925	12	0.17	0.1	Continuous

Consult factory for other voltages.  
Coils carry a Nema 4 rating.

## PARTS LIST

1-12

### Electro-Steam Valves — Series 2192

3/8" • 1/2" • 3/4" • 1" • 1 1/4" • 1 1/2" • 2"

Series 2192					
	3/8" & 1/2"	3/4"	1" & 1 1/4"	1 1/2"	2"
*Plunger Assembly	78600	————>	————>	————>	————>
Bonnet	83021	73026	83192	————>	————>
*Bonnet Gasket		————>	88980	————>	————>
Bonnet Nut	76303	76028			
Bolted Cap			76744	7674701	7668801
*"O" Ring			88983	88981	88982
Cap Bolt			84552	88234	85459
*Pal Nut	83069	————>	————>	————>	————>
*Solenoid Spring Washer	83600	————>	————>	————>	————>
*Piston Spring	82486	82488	82486	————>	————>
Piston Assembly	*76332	*77798	7643104	7646904	7647004
Teflon Split Piston Ring (2 Req'd)	86334	86331	*86548	*86549	*86550
Piston Seat Washer	85553	85567	*86155	*86473	*86474
Piston Seat Washer Nut	82222	86030	76745	76750	7673801

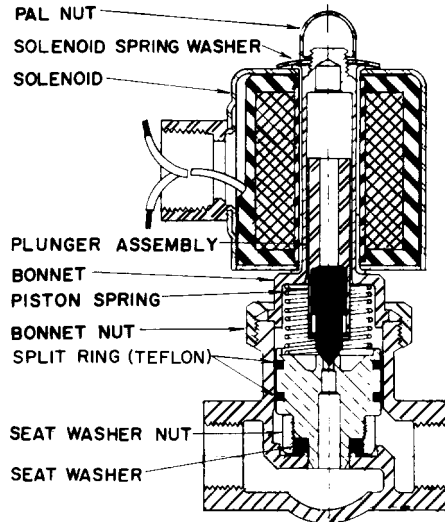
#### \*Recommended Spare Parts

*Repair Kit	12442	12443	12444	12445	12446
-------------	-------	-------	-------	-------	-------

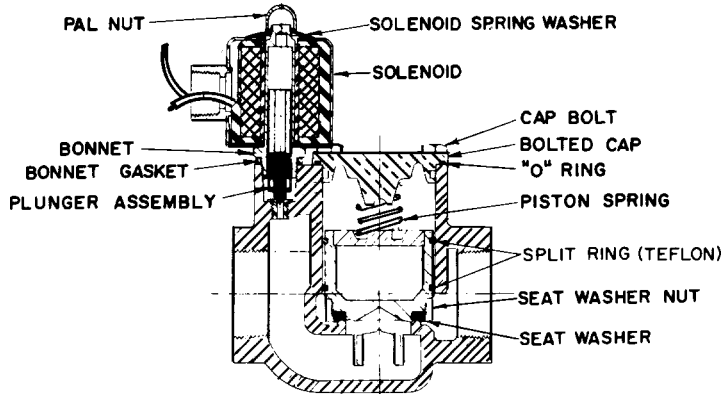
NOTE: Arrow denotes same Catalog Number.

**PARTS IDENTIFICATION**

3/8", 1/2", 3/4"  
Series 2192  
Electro-Steam Valve



1", 1 1/4"  
Series 2192  
Electro-Steam Valve



1 1/2", 2"  
Series 2192  
Electro-Steam Valve

