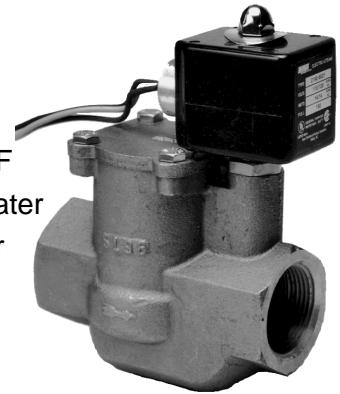


Series 2110 - Water Series 3108 - Water



**Series 2110
Electroflo**
3/8", 1/2", & 3/4" Sizes

- 2-way Normally Closed
- Pilot-Operated
- Piston-Type
- Bronze Construction
- UL Listed
- Variety of Voltages
- Maximum Temperature 195° F
- Pressure Range 5 -150 psi water
- Pressure Range 5 -100 psi air
- Horizontal Installation



**Series 2110
Electroflo**
1", 1 1/4", 1 1/2", & 2" Sizes



**Series 3108
Duo-Electroflo**
1/2" Size

SPECIAL FEATURES

Proven design.

Many years of field experience have made these valves the standard in the industry.

Wide range of operating pressures & temperatures.

5 psi to 150 psi pressure and temperatures to 195°F affords broad application and tremendous flexibility.

Highest quality.

Long life bronze castings and waterproof coils insure performance consistency for a long life.

Rugged reliability saves money.

Because of low incidence of down time and maintenance.

Maximum flow.

Minimum pressure drop internal design of this pilot operated piston-type valve assures exceptional flow performance.

Two way—normally closed.

Fail safe positive valve closing in the event of power failure prevents flooding or overfilling.

TYPICAL APPLICATIONS

- Commercial Laundry Equipment and Facilities
- Commercial Dishwashers, Bottlewashers, Pot/Pan Washers
- Car & Truck Wash Facilities
- Irrigation Systems
- Humidification
- Water Treatment
- Poultry Incubators/Watering Equipment
- Industrial Maintenance, Repair, and Operation

TO ORDER ELECTROFLO

1-4

Specify: catalog number, voltage and size

| Series 2110-Water | |
|---|---------------------|
| Catalog Number | Voltage |
| 2110 - 6721 | 12V DC |
| 2110 - 6821 | 24V DC |
| 2110 - 6421 | 24V AC 50/60HZ |
| 2110 - 6021 | 120V 60HZ 110V 50HZ |
| 2110 - 6521 | 208V 60HZ |
| 2110 - 6121 | 240V 60HZ 220V 50HZ |
| <p>Note: All Voltages available in all sizes Sizes Available 3/8", 1/2", 3/4", 1", 1 1/4", 1 1/2" and 2"</p> | |

To Order: Specify Catalog Number & Size

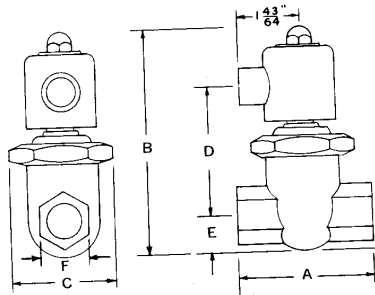
Example: Electroflo Valve with 24 volt Solenoid, Pipe Size 3/8", Medium is water.

Order: 2110 - 6421 3/8"

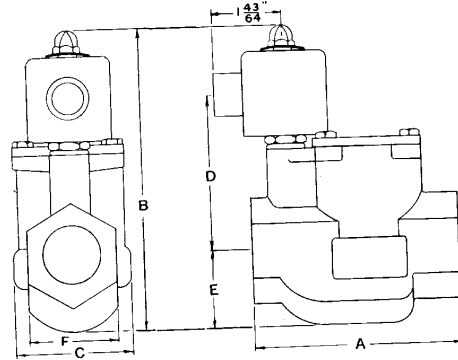
TECHNICAL DATA

Series 2110

3/8", 1/2", & 3/4"



1", 1 1/4", 1 1/2", & 2"



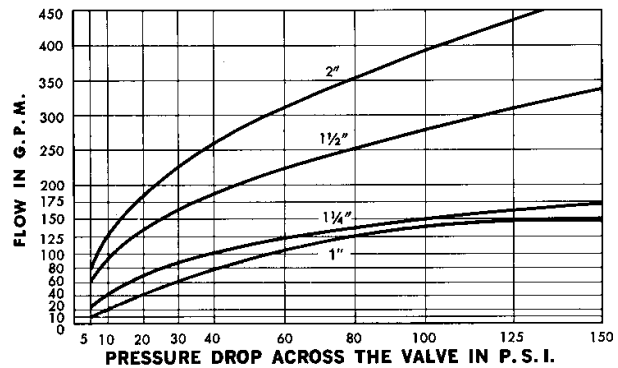
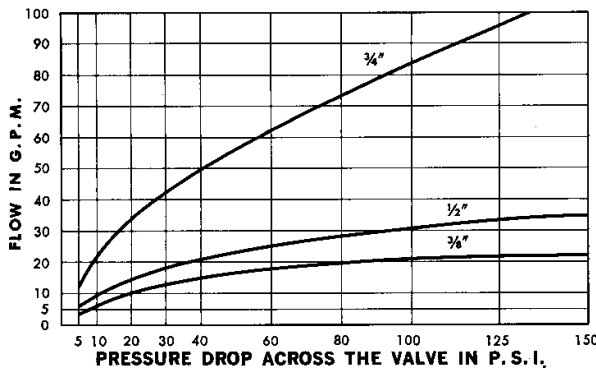
2110: For fluids compatible with bronze, 430 Stainless Steel, Ethylene Propylene, and Teflon

| PIPE SIZE (VALVE SIZE) | | | | | | | |
|------------------------|----------|----------|----------|-------------|----------|----------|--|
| Dimension | 3/8" | 1/2" | 3/4" | 1" & 1 1/4" | 1 1/2" | 2" | |
| A | 2 17/32" | 2 21/32" | 3 3/4" | 4 13/16" | 5 7/16" | 6 1/32" | |
| B | 5 1/16" | 5 1/16" | 6 1/32" | 6 31/32" | 7 11/32" | 8 3/16" | |
| C | 1 55/64" | 1 55/64" | 2 13/16" | 2 3/4" | 3 1/8" | 3 3/4" | |
| D | 2 27/32" | 2 27/32" | 3 1/2" | 3 5/8" | 4 5/16" | 4 21/32" | |
| E | 1 1/16" | 1 1/16" | 1" | 1 3/4" | 1 1/2" | 1 15/16" | |
| F | 1 5/16" | 1 3/32" | 1 3/8" | 2 1/16" | 2 3/8" | 2 7/8" | |

| Pipe Size | 3/8" | 1/2" | 3/4" | 1" | 1 1/4" | 1 1/2" | 2" |
|----------------|------|------|------|-----|--------|--------|----|
| Cv Flow Factor | 2.3 | 3.3 | 7.5 | 9.8 | 15 | 28 | 39 |

1-5

FLOW CAPACITY CHARTS



- * Electroflo requires minimum 5 psi pressure differential for reliable operation.
- * Must be installed in horizontal piping with solenoid in vertical position.
- * Valve should be sized to flow requirement not pipe size.
- Average closing time: 3/8" — 3/4" 1-3 sec., 1" — 2" 2-5 sec.
- * Solenoid Data on following page (1-6).

| Solenoid Electrical Data | Volts | Catalog Number | Max. Watts. Holding | Amps Inrush | Amps Holding | Duty |
|--|-----------|----------------|---------------------|-------------|--------------|------------|
| Coil with 1/2" NPT Conduit outlet and 30" lead wires. Fits all valve sizes. | 12 V. DC | 88919 | 24 | | 2.00 | Continuous |
| | 24 V. DC | 88920 | 24 | | 1.00 | Continuous |
| | 24 V. AC | 88904 | 14 | 1.85 | 1.07 | Continuous |
| | 120 V. AC | 88905 | 19 | 0.55 | 0.32 | Continuous |
| | 208 V. AC | 88906 | 18 | 0.31 | 0.18 | Continuous |
| | 240 V. AC | 88907 | 20 | 0.30 | 0.17 | Continuous |

Consult factory for other voltages.

Coils carry a Nema 4 rating.

PARTS LIST

Series 2110

3/8" • 1/2" • 3/4" • 1" • 1 1/4" • 1 1/2" • 2"

| Series 2110 | | | | | |
|------------------------------------|-------------|---------|-------------|---------|---------|
| | 3/8" & 1/2" | 3/4" | 1" & 1 1/4" | 1 1/2" | 2" |
| *Plunger Assembly | 7319503 | ————> | ————> | ————> | ————> |
| Bonnet | 83021 | 73026 | 83192 | ————> | ————> |
| *Bonnet Gasket | | | 82224 | ————> | ————> |
| Bonnet Nut | 76303 | 76028 | | | |
| Bolted Cap | | | 76744 | 7674701 | 7668801 |
| **"O" Ring | | | 87407 | 88606 | 88607 |
| Cap Bolt | | | 84552 | 88234 | 85459 |
| *Pal Nut | 83069 | ————> | ————> | ————> | ————> |
| *Solenoid Spring Washer | 83600 | ————> | ————> | ————> | ————> |
| *Piston Spring | 82486 | 82488 | 82486 | ————> | ————> |
| Piston Assembly | *7735501 | *77300 | 7643101 | 7646901 | 7647001 |
| Teflon Split Piston Ring (2 Req'd) | 8502901 | 8503002 | *8503102 | *86549 | *86550 |
| Piston Seat Washer | 8222301 | 8249801 | *84048 | *84571 | *84518 |
| Piston Seat Washer Nut | 82222 | 86030 | 76745 | 76750 | 7673801 |
| *Repair Kit - Series 2110 | 11569 | 11570 | 11571 | 11572 | 11573 |

* = Parts in Repair Kit.

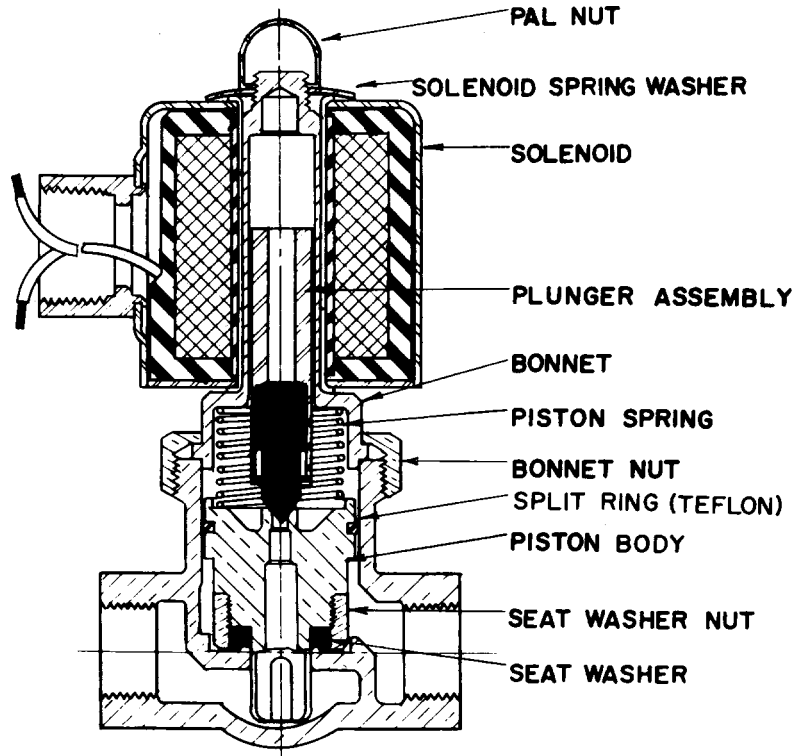
NOTE: Arrow denotes same Catalog Number.



PARTS IDENTIFICATION

Series 2110

3/8", 1/2", 3/4",
Electroflo Valve



1", 1 1/4", 1 1/2", 2"
Electroflo Valve

