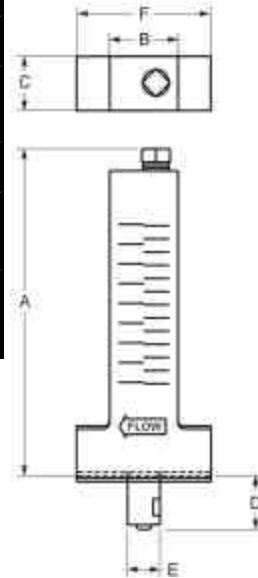


# INSTALLATION INSTRUCTIONS

## F - 300

<b>Specifications</b>	
<b>Meter Body:</b>	Acrylic
<b>Floats:</b>	#316 Stainless Steel, Hastelloy
<b>Scale:</b>	Permanent Silkscreen
<b>Max. Pressure:</b>	See Temp vs. Pressure chart
<b>Max. Temperature:</b>	See Temp vs. Pressure chart



<b>F- 300 Series</b>	
<b>English System</b>	
<b>Letter</b>	<b>Dimension</b>
A	6 -7/16 in
B	2 -1/2 in.
C	1 in
D	1 -9/16 in
E	5/8 in

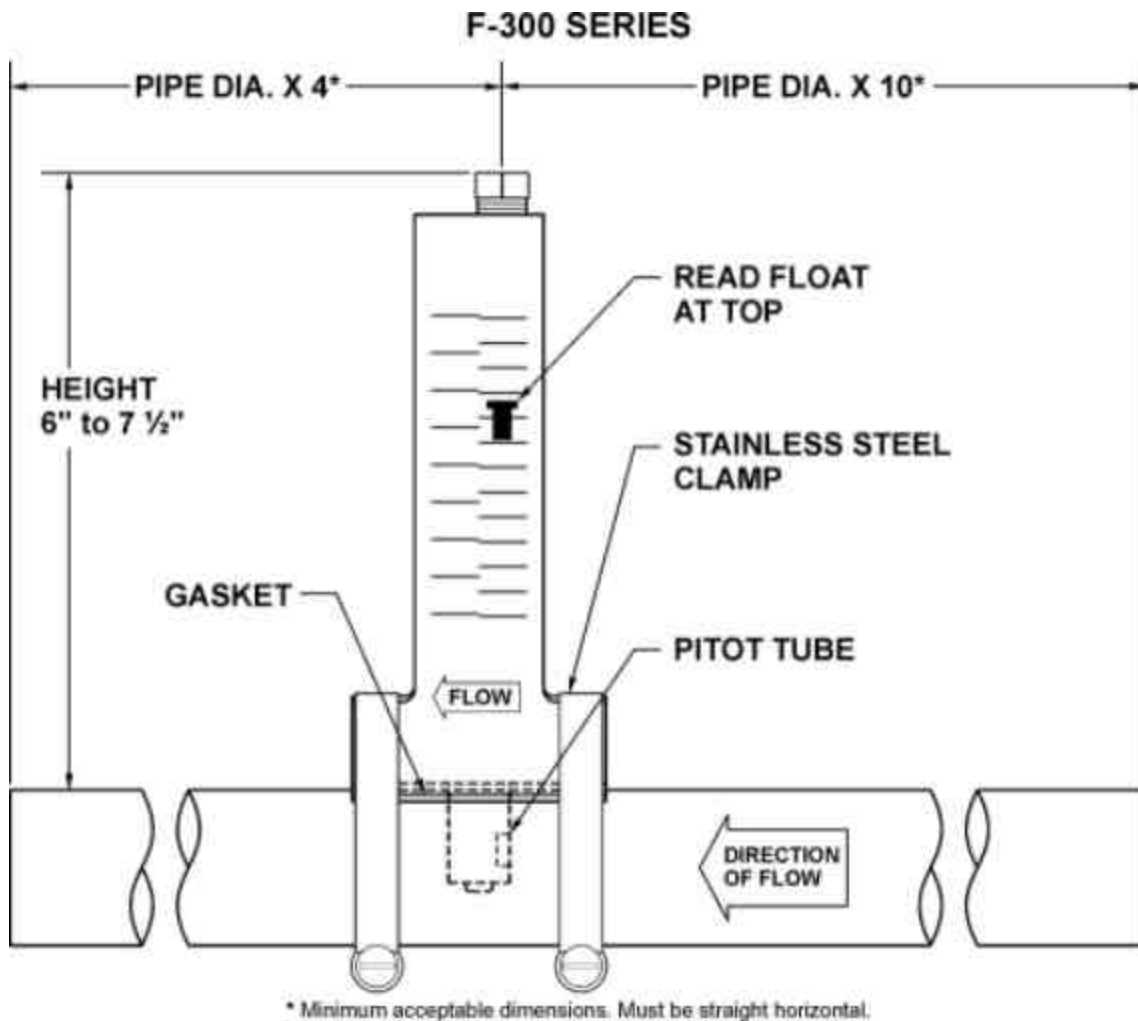
<b>F- 300 Series</b>	
<b>Metric System</b>	
<b>Letter</b>	<b>Dimension</b>
A	(174.6 mm)
B	(63.5 mm)
C	(25.4 mm)
D	(39.7 mm)
E	(15.9 mm)

### Your Blue-White F-300 Series vertical mount Flowmeter

Your Blue-White flowmeter was designed to be easy to install.

Please read the Instruction Guideline on the next page before installing your flowmeter.

This flowmeter is an instrument and special care should be taken when installing.



**Caution:** Follow these tips to avoid failure.

**Danger:** Wear eye protection when installing or removing flowmeter.

**General:** F-300, D-300 and U-300 series flowmeters should only be used on the size and type of pipe for which they were intended. Incorrect use will result in inaccurate readings and leakage problems.

- Install the flowmeter with at least the minimum dimensions called for in installation drawings. For all units except F-30600 & F-30800, drill a 5/8" to 11/16" hole at the top center of the pipe. For F-30600 & F-30800 drill a 3/4" or 11/16" hole. Carefully remove all burrs. Insert the pitot tube, with gasket in place, into the drilled pipe. Tighten the clamps alternately, a little at a time. Make certain the flow direction is towards the pitot tube opening.

**Blue-White® guarantees the meter is suitable with air and water only.**

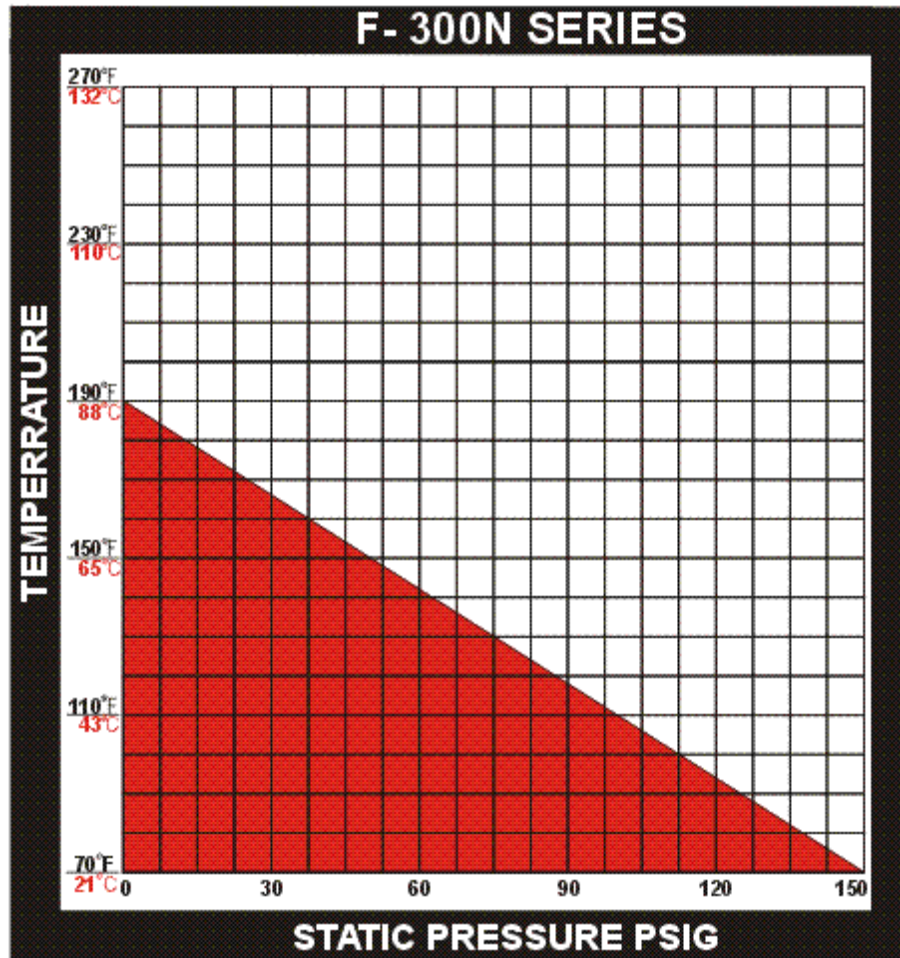
**PLEASE NOTE:** Acrylic can be adversely affected by ultra violet light. Protect flowmeters from direct sunlight.

## Maintenance

\* Minimal flowmeter maintenance is required. Should the meter fail to read, make certain the pitot tube opening is unobstructed, that the pitot tube opening faces the direction of the flow, and that you have installed the meter on the correct type and size pipe.

**Cleaning:** The flowmeter body and all other parts can be cleaned by washing in a mild soap and water solution. A soft bristle brush will simplify cleaning inside the meter body. Note the floats up position for re-assembly.

## Pressure Vs. Temperature



### Pressure and Temperature

Pressure and temperature limits are inversely proportional. At the maximum suggested pressure the temperature should approach 190°F / 88°C; at the maximum suggested temperature the pressure should approach zero psi. **We cannot guarantee our flowmeters will not be damaged either at or below the suggested limits simply because of many factors which influence meter integrity; stress resulting from meter misalignment, damage due to excessive vibration and/or deterioration caused by contact with certain chemicals as well as direct sunlight.** These situations and others tend to reduce the strength of the materials from which the meters are manufactured.

**Flowmeters are tested and calibrated for water or air only.**

## Exploded View and Parts List

Exploded  
view  
Coming  
soon

<b>Replacement Parts List</b>		
<b>Key</b>	<b>Description</b>	<b>Part Number</b>
1	O-Ring for cap /F-300NP(NT) models	C-502V
1	Cap Plug for all F-300, D-300 & U-300	F-3005
2	Cap Plug for F-300N units	91001-088
3	Mounting Clamp, F-30100P, F-30100T, F-30125P & F-30125T	F-3028
3	Mounting Clamp, F-30200P, F-30200T, F-30150P, F-30150T, F30150NP(NT), & F30200NP(NT)	F-3040
3	Mounting Clamp, D-30150P, D-30150T, D-30200T, F-30250T, U-30150P, U-30150-T, U-30200T	F-3044
3	Mounting Clamp, F-30250P	F-3048
3	Mounting Clamp, F-30300T, D-30200P, U-30200P	F-3052
3	Mounting Clamp, F-30300P	F-3056
3	Mounting Clamp, F-30400T	F-3064
3	Mounting Clamp, F-30400P	F-3072
3	Mounting Clamp, F-30600P, F-30600T	F-3116
3	Mounting Clamp, F-30800P, F-30800T	F-3152
4	Float, #316 S.S., for all D&U-300 series except low flow rate "R" & "N" units	F-3001
4	Hastelloy Float, may be used on all D&U-300 and F-300 units except "R" models	F-3001H
4	Float, stainless steel for F-300NP(NT) models	90007-549
5	Gasket Seal, for all pipe & tubing units through 4" O.D.	F-3003
5	Gasket Seal, for all pipe & tubing units 6" through 8" O.D.	F-3004
5	Screw #6-32X1-1/4", F-30100 through F-30200, pipe & tubing, except "R" models	F-3018

<b>Flowmeter Conversion Table for Liquids with specific gravities other than 1.0</b>										
<b>Specific Gravity</b>	<b>0</b>	<b>1</b>	<b>2</b>	<b>3</b>	<b>4</b>	<b>5</b>	<b>6</b>	<b>7</b>	<b>8</b>	<b>9</b>
	<b>CONVERSION FACTOR</b>									
<b>0.4</b>	1.647	1.626	1.605	1.585	1.565	1.548	1.529	1.513	1.495	1.479
<b>0.5</b>	1.426	1.447	1.433	1.418	1.404	1.391	1.377	1.364	1.351	1.339
<b>0.6</b>	1.326	1.316	1.304	1.292	1.282	1.271	1.259	1.250	1.239	1.229
<b>0.7</b>	1.220	1.211	1.202	1.192	1.183	1.175	1.167	1.157	1.149	1.142
<b>0.8</b>	1.134	1.125	1.117	1.111	1.104	1.096	1.089	1.082	1.075	1.068
<b>0.9</b>	1.062	1.055	1.048	1.042	1.035	1.030	1.024	1.017	1.011	1.005

<b>1.0</b>	1.000	0.994	0.988	0.982	0.978	0.972	0.967	0.962	0.956	0.951
<b>1.1</b>	0.947	0.943	0.936	0.932	0.927	0.923	0.917	0.913	0.909	0.904
<b>1.2</b>	0.900	0.895	0.891	0.887	0.883	0.878	0.871	0.870	0.866	0.862
<b>1.3</b>	0.858	0.854	0.850	0.846	0.842	0.838	0.835	0.831	0.827	0.824
<b>1.4</b>	0.820	0.818	0.814	0.810	0.806	0.803	0.800	0.797	0.794	0.791
<b>1.5</b>	0.787	0.784	0.781	0.778	0.776	0.773	0.770	0.767	0.764	0.759
<b>1.6</b>	0.756	0.754	0.751	0.748	0.745	0.742	0.740	0.737	0.734	0.730
<b>1.7</b>	0.728	0.726	0.723	0.720	0.717	0.714	0.712	0.709	0.706	0.704
<b>1.8</b>	0.701	0.699	0.696	0.694	0.691	0.689	0.686	0.684	0.682	0.679
<b>1.9</b>	0.677	0.674	0.672	0.669	0.667	0.665	0.663	0.661	0.658	0.657
<b>2.0</b>	0.654	0.652	0.650	0.648	0.646	0.644	0.641	0.640	0.637	0.636

**Example: Sp. Gr. of 1.54 ; use factor of 0.776**

**Please Note:** Although Blue White has obtained this information from reliable sources, **the company can not assume any responsibility for its accuracy.**  
Please verify this information before using.

### **Blue White Limited Warranty**

- \* Blue White Flowmeters are warranted to be free from defects in material and workmanship for 12 months from date of factory shipment. Warranty coverage is limited to repair or replacement of the defective flowmeter only.
- \* Blue White Industries liability for consequential and incidental damages is expressly disclaimed and in all circumstances is limited to and shall not exceed, the purchase price paid. This limitation of liability shall be enforced to the extent allowable under applicable law.
- \* This warranty does not cover damage to the flowmeter that results from misuse or alterations, nor damage that occurs as a result of: meter misalignment, improper installation, over tightening, use of non recommended chemicals, use of non-recommended pipe dopes or adhesives, excessive heat or pressure or allowing the meter to support the weight of related piping .
- \* Flowmeters are repaired at the factory only. Call or write the factory to receive a return authorization number. Carefully pack the flowmeter to be returned, including a brief description of the problem. Not the R.A. number on the outside of the carton.
- \* PREPAY ALL SHIPPING COSTS. The factory does not accept C.O.D. shipments. Damage that occurs during shipping is the responsibility of the sender.

Blue-White® Industries