

Specification Sheet

Industrial Pulsers for T3000C Turbine Meters



Sizes: 1 1/2" - 12"

Description

LRP: (Reed Switch)
 HRP: (Slotted Disc - Opto Vane Switch)

These units are designed for use with T3000C with polymer top plate, bronze top plate (machined for pulser) and cast iron top plate. The meter will be produced with polymer top plate or cast iron top plate unless specified for bronze top plate.

These units are weatherproof with 9 to 10 ft. of 2-wire or 3-wire shielded cable exiting from an epoxy sealed case.

These pulsers are magnetically driven which eliminates miscoupling associated with right angle drives. Torque is absorbed in the undergear assembly in the meter, below the drive magnet. The drive magnet, at all flows, is turning slowly assuring magnetic coupling.

LRP : (Reed Switch) (2 wire)

The pulse element is a reed switch rated at 4 watts, non inductive, magnetically actuated to provide a 50/50 open/close ratio and requires power from an external source. Note: These units have a 100 ohm resistor in series with the reed switch to protect from current surges.

HRP : (Slotted Disc - Opto Vane Switch)

The transmitting element is a slotted disc and opto vane switch which requires power from an external source. Power requirement (6-15 VDC).

Specifications

Materials

Note: These units are NOT repairable.

Pulsar Body	Plastic
Wire - LRP	2-wire shielded cable
Wire - HRP	3-wire shielded cable

Pulse Output

LRP (Reed Switch Pusler) 2-wire

<u>Size</u>	<u>US Gallon</u>	<u>Cubic Feet</u>	<u>Cubic Meter/Liters</u>
1 1/2"-2"	1cont/gal	10cont/cf	1cont/10 liters
3"-4"	1cont/10 gal	1cont/cf	1cont/10 liters
6"-8"	1cont/10 gal	1cont/cf	1cont/100 liters
10"-12"	1cont/100 gal	1cont/10 cf	1cont/100 liters

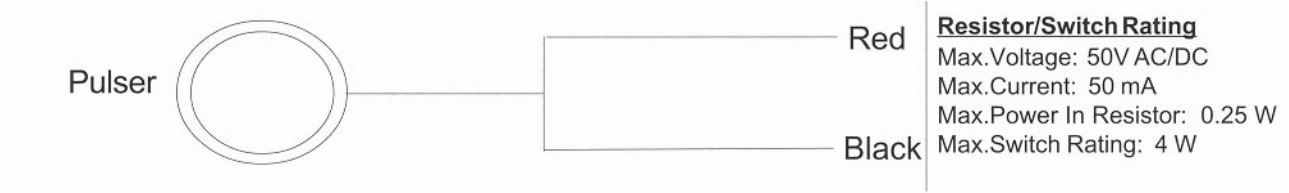
HRP (Slotted Disc - Opto Vane Switch) 3-wire

<u>Size</u>	<u>US Gallon</u>	<u>Cubic Feet</u>	<u>Cubic Meter/Liters</u>
1 1/2"-2"	10cont/gal	100cont/cf	1cont/liter
3"-4"	1cont/gal	10cont/cf	1cont/liter
6"-8"	1cont/gal	10cont/cf	1cont/10 liters
10"-12"	1cont/10 gal	1cont/cf	1cont/10 liters

Note: When using the HRP pulser with the R420, a 12V Zener diode (1 watt rated) must be installed in series between the 24VDC output pin and the red (6-15VDC) power in wire. These diodes can be purchased at any Radio Shack.

Increase weight of the meter by 12 oz.
 Increase height dimension of the meter by 1.14"
 Normal height of pulsers = 1.46"

LRP Wiring Diagram (2-Wire) 4W Reed Switch

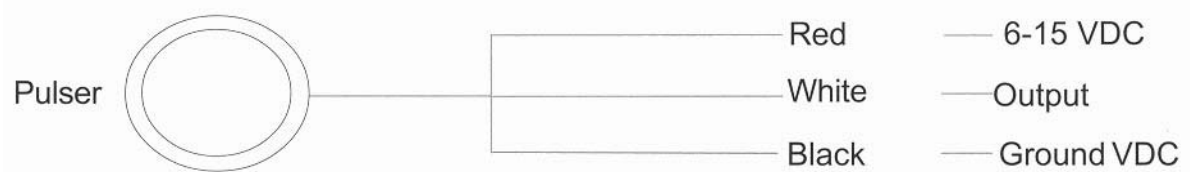


To be wired in series with no regard as to polarity.

HRP Wiring Diagram Slotted Disc 6-15 VDC (3-Wire Shielded)

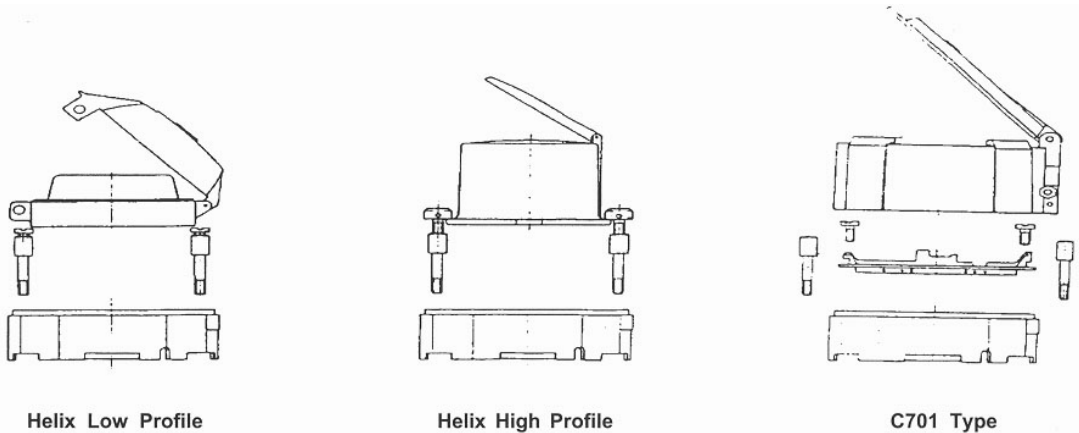
This unit is sourcing device.

18 mA: Max Current Draw
10 mA: Nominal Current Draw



NOTE:

When using the HRP pulser with R-420, a 12 V Zener diode (1 watt rated) must be installed in series between 24 VDC out and the red (6-15 VDC) power in line.



AMCO Water Metering Systems Inc.

www.amcowater.com

United States

AMCO Water Metering Systems
P. O. Box 1852
Ocala, FL 34478-1852
352-732-4670 FAX 352-368-1950
Outside Florida: 800-874-0890
Inside Florida: 800-356-6829
e-mail:
watermeters@amcowater.com

Canada

Elster Metering
3450 Harvester Road
Burlington, Ontario L7N 3W5
866-703-7582
905-634-4895
FAX 905-634-6705
e-mail:
watermeters@ca.elster.com

Caribbean

AMCO Water Metering Systems
P. O. Box 225
Carretera 112 KM 2.3
Isabela, PR 00662
787-872-2006
FAX 787-872-5427
e-mail:
prwatermeters@amcowater.com

Mexico

Elster Medidores
Lago Omega #281
Col. Modelo Pensil.
Del. Miguel Hidalgo
C P 11460
525 55 203 8002
FAX 525 55 203 8270
e-mail:
amcowater@prodigy.net.mx

The company's policy is one of continuous product improvement and the right is reserved to modify the specifications contained herein without notice.

© 2003 AMCO Water Metering Systems Inc. All rights reserved.