

Specification Sheet

Industrial Model R10 Rate Indicator/Totalizer



Description

The model R10 is an economical up-counting totalizer and a 1/Tau ratemeter. The ratemeter/totalizer has an 8 digit LCD display with 0.43" tall characters. Separately programmable count/rate scalers and decimal points allow for display of rate and count in various engineering units.

The R10 will show either flow rate or total by pressing the T/R mode select button on the front face of the unit. Other features include programmable reset enable/disable, remote reset, field replaceable 5 year battery, and high or low speed inputs.

The low speed input is suited to contact closures such as reed switches or AMCO's "Type B" pulser on the C700 water meter. The high-speed input may be used with solid state, current sourcing pulsers such as AMCO's SF pulser (C700) and HRP (T3000). Wiring diagram examples are shown on the reverse page. Full size wiring diagrams detailing the connection of the R10 to AMCO's cold/hot water or oil meters are available from AMCO Water Metering Systems Inc.

One of the unique features of the R10 is the frequency capability of the low speed input. Similiar ratemeters/totalizers have low speed input frequencies of 40 Hz or less, but the low speed input on the R10 will accept contacts at up to 100 Hz. Another notable benefit is the power assist feature that extends the battery life when a sourcing signal is applied to the high speed input (terminal 3).

Specifications

Power

Internal Battery	3V Lithium
Life Expectancy	5 Years

Physical

Dimensions	See Reverse
Weight	2.2 Ounces
Case Material	Cyclac X-17
Display Size	0.43" High
Front Panel Rating	NEMA 4X with Provided Gasket
Operating Temp	32°F - 131°F
Operating Humidity	60% Non-condensing
Max Rec Wire Length	25 Ft.

Totalizer

Type	Up-counting
Digits	8
Scaler Range	0.0001-100.0000
Decimal Point	5 Positions (Programmable)

Rate Indicator

Type	1/Tau
Digits	4 (5 with Fixed Zero)
Scaler Range	0.001-9999
Decimal Point	5 Positions (Programmable)
Accuracy	±0.2%
Zero Time*	10 Seconds

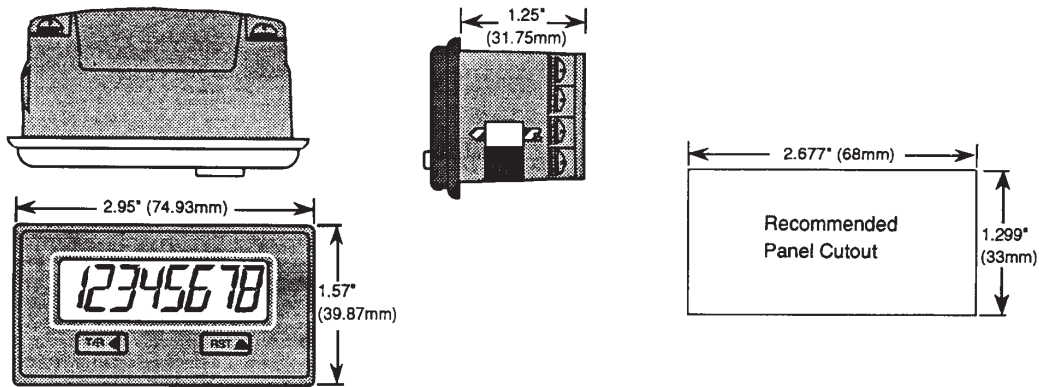
Input B (low speed)

Type	Contact Closure
Speed	0-100 Hz
Low State	0-0.4 VDC for Min 10 ms
High State	2.0-28 VDC for Min 40 ms

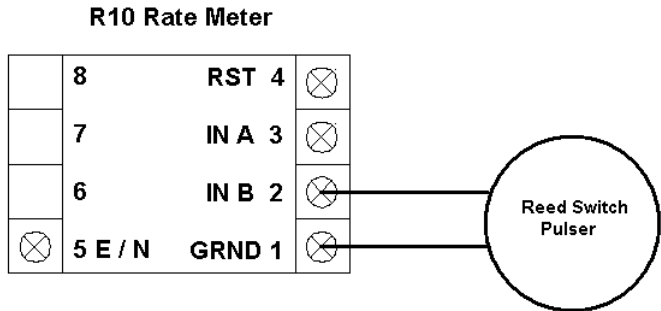
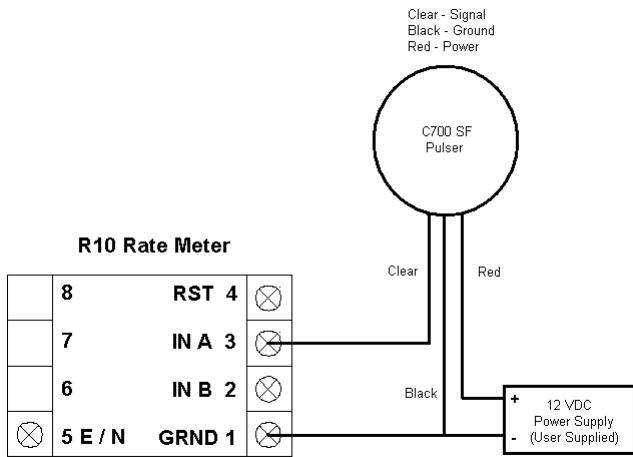
Input A (high speed)

Type	Solid State Sourcing/Sinking
Speed	0-10 kHz
Low State	0-0.4 VDC for Min 80 ms
High State	2.0-28 VDC for Min 20 ms

*If the R10 does not receive a pulse within 10 seconds, the rate display will show zero.



Sample Wiring Diagrams:



All AMCO reed switch pulsers are not polarity sensitive. Install rate meter up to 25 feet from flowmeter.



AMCO Water Metering Systems Inc.

www.amcowater.com

United States

AMCO Water Metering Systems
P. O. Box 1852
Ocala, FL 34478-1852
352-732-4670 FAX 352-368-1950
Outside Florida: 800-874-0890
Inside Florida: 800-356-6829
e-mail:
watermeters@amcowater.com

Canada

Elster Water
3450 Harvester Road
Burlington, Ontario L7N 3W5
866-703-7582
905-634-4895
FAX 905-634-6705
e-mail:
watermeters@ca.elster.com

Caribbean

AMCO Water Metering Systems
P. O. Box 225
Carretera 112 KM 2.3
Isabela, PR 00662
787-872-2006
FAX 787-872-5427
e-mail:
prwatermeters@amcowater.com

Mexico

Elster Medidores
Lago Omega #281
Col. Modelo Pensil.
Del. Miguel Hidalgo
C P 11460
525 55 203 8002
FAX 525 55 203 8270
e-mail:
amcowater@prodigy.net.mx

The company's policy is one of continuous product improvement and the right is reserved to modify the specifications contained herein without notice.

© 2003 AMCO Water Metering Systems Inc. All rights reserved.