

Electronic Register (ERM)

For C700 bronze, 1/2" - 2"

T3M, 1 1/2" - 8"

T4000, 1 1/2" - 8"



Description: The Electronic Register (ERM) is an LCD display which has been installed in an aluminum, NEMA 3 housing easily adapted for installation on Elster AMCO Water's C700, T3M and T4000 cold water meters.

The ERM is designed to replace mechanical registers with LCD displays of rate indication and totalization in the basic unit.

Displays rate & total:

Instantaneous Rate of Flow Display
Total Display

Total Volume is Resettable:

Remote and/or Local Reset

Options:

4-20 mA DC Analog Output
Scaled Pulse Output
Remote Reset
External Power Supply

Tamper resistant:

Cover must be removed to alter programming.
Lockout code required to enter program

Pre-Programmed for Your Flow Meter

Upgrades Existing Flow Meter in the Field

Unit fits to Missouri style housings; for retrofit to other housings, contact factory

Powered by Internal Battery, External DC Power or by a 4-20 mA DC Signal Loop

Power:

Battery Powered

One C size lithium battery, replaceable

External Power Input Option

Voltage - 8.5 to 30 VDC

Current - Less than 5 mA DC

Protection - Reverse polarity protected

Loop Powered (4-20mA output option)

Voltage - 8.5 to 30 VDC

Loop Burden - 8.5 VDC

Protection - Reverse polarity protected

Display:

Rate Display

LCD, 4.5 digits (59999), 0.35" h.

Display updates every 2 seconds

Rate Descriptors: /SEC, /MIN, /HR

Totalizer Display

LCD, 8 digits (99999999), 0.2" h.

Multipliers: x10, x100, x1000

Total Descriptors: GAL, LIT, FT#, M3, "blank"



Pulse Output Option:

The pulse output option occurs with each advance of the least significant digit in the Total Display.
Type: Opto-isolated open collector translator
Max. Voltage: 30 VDC (off state)
Current: 5 mA @ 0.9 V drop (on)
 0.1 mA @ 0.7 V drop (off)
Pulse Duration: 32 msec
Pulse Output Rate: 10 Hz max.
Pulse Divider: 1, 10, 100 or OFF
External power required

4-20 mA DC Output Option:

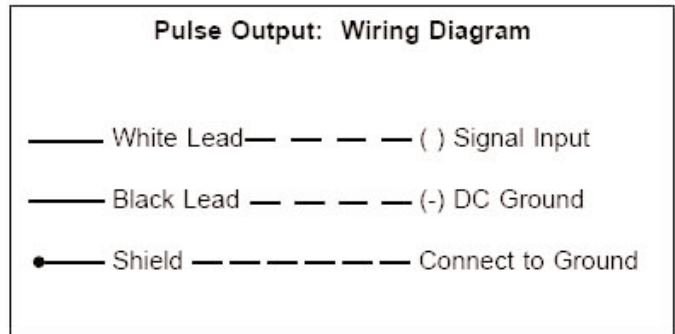
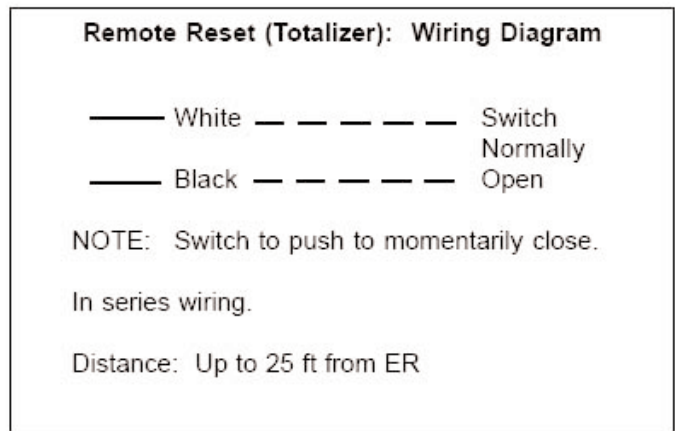
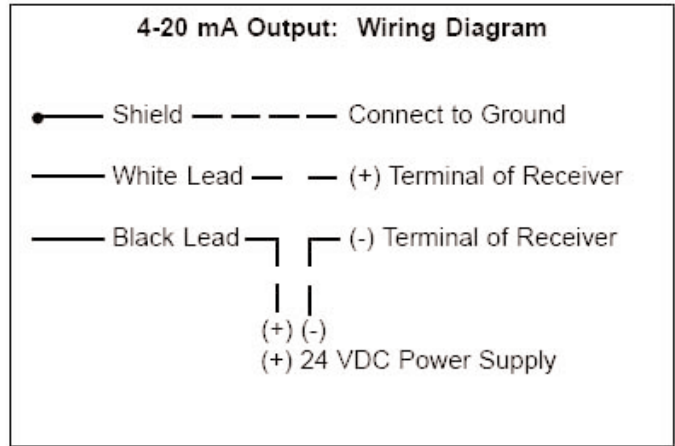
Type: 4-20 mA DC follow the rate display,
2-wire hookup
Requires 24 VDC external power supply
Burden: 8.5 VDC maximum

Battery life:

Type: C size lithium battery (one)
Life: 24 hrs/day operation - 2.1 years
With pulse feature "OFF"
24 hr/day operation - 2.7 years
With 4-20 mA DC loop - 10 years

Environmental:

Standard Version Temp: -4°F to +158°F
Humidity: 0-90% noncondensing
Enclosure: NEMA 3



Elster AMCO Water, Inc.
PO Box 1852
Ocala, FL 34478-1852
United States

T +1 800 874 0890 (US)
T +1 866 703 7582 (Canada)
T +1 787 872 2006 (Caribbean)
F +1 352 368 1950

watermeters@us.elster.com
www.elster.com

© 2008 by Elster. All rights reserved.

The company's policy is one of continuous product improvement and the right is reserved to modify the specifications contained herein without notice.