

Totalizing Counter, Battery Powered Resettable/Non-Resettable

Model CTR 27

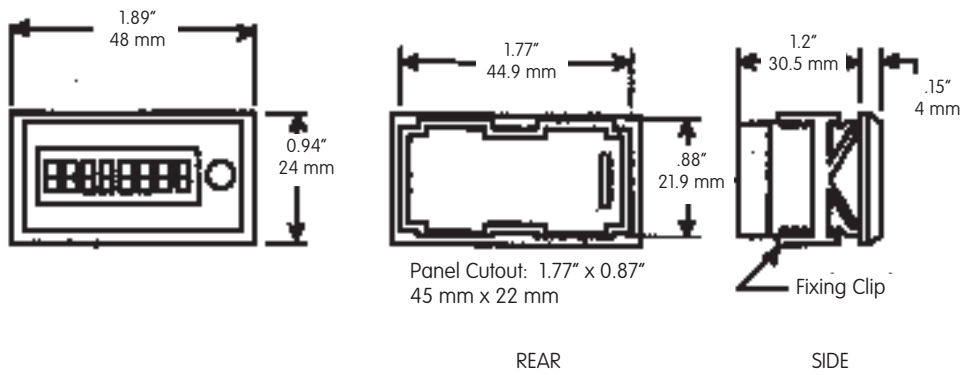


<u>Display:</u>	Eight-digit (8 mm) high characters, black LCD.
<u>Power:</u>	Internal lithium battery.
<u>Battery Life:</u>	Ten years (calculated at 20°C).
<u>Operating Temp.:</u>	+14°F to +140°F
<u>Storage Temp.:</u>	+14°F to +140°F
<u>Mounting (Up to 25'):</u>	Either with clip mount or screw mount bezel with two front screw holes. Screws not included.
<u>Sealing:</u>	Front panel sealed to IP65/NEMA4, when used with clip mount and gasket provided.
<u>Panel Cut-Out:</u>	45 x 22 mm + 0.6 - 0.0 (max. panel thickness 7.5 mm)
<u>Inputs:</u>	<p>COMMON (PIN 1) BLACK RESET ENABLE (PIN 2) GREEN Link to common to enable front panel reset key.</p> <p>EXTERNAL RESET (PIN 3) YELLOW Contact closure/open collector negative edge, triggered 0.7V threshold, minimum pulse length 15 ms.</p> <p>SLOW SPEED COUNT INPUT (PIN 4) BROWN Contact closure/open collector input, 30 Hz max. negative edge switching, 0.7V threshold, minimum pulse length 15 ms.</p> <p>HIGH SPEED COUNT INPUT (PIN 5) BLUE Electronic input, 10 KHz max. negative edge switching, 0.7V threshold, minimum pulse length 50 u sec. TTL/CMOS compatible.</p>

Operation. The CTR 27 battery-powered counter provides an economical remote total display for Elster AMCO Water flow meters. A low speed pulser is generally recommended for this application; however, this unit is capable of accepting electronic inputs up to 10 KHz. Wiring diagrams for Elster AMCO Water meters and pulsers are available upon request.

The reset feature can be configured for front panel reset, a remote reset switch or disabled.

Dimensions



Elster AMCO Water, Inc.
PO Box 1852
Ocala, FL 34478-1852
United States

T +1 800 874 0890
F +1 352 368 1950

watermeters@us.elster.com
www.elster.com

© 2007 by Elster. All rights reserved.

The company's policy is one of continuous product improvement and the right is reserved to modify the specifications contained herein without notice. These products have been manufactured with current technology and in accordance with applicable AWWA Standards.

IND-TOTCOUNT/06-07