

C700 Polymer Positive Displacement Cold Water Meters

Parts/Prices for 5/8" and 3/4"



AMCO Water Metering Systems Inc.

www.amcowater.com

United States

AMCO Water Metering Systems
P. O Box 1852
Ocala, FL 34478-1852
352-732-4670 FAX: 352-368-1950
Outside Florida: 800-874-8090
Inside Florida: 800-356-6829
e-mail:
watermeters@amcowater.com

Canada

Elster Water
3450 Harvester Road
Burlington, Ontario L7N 3W5
866-703-7582
905-634-4895
FAX 905-634-6705
e-mail:
watermeters@ca.elster.com

Caribbean

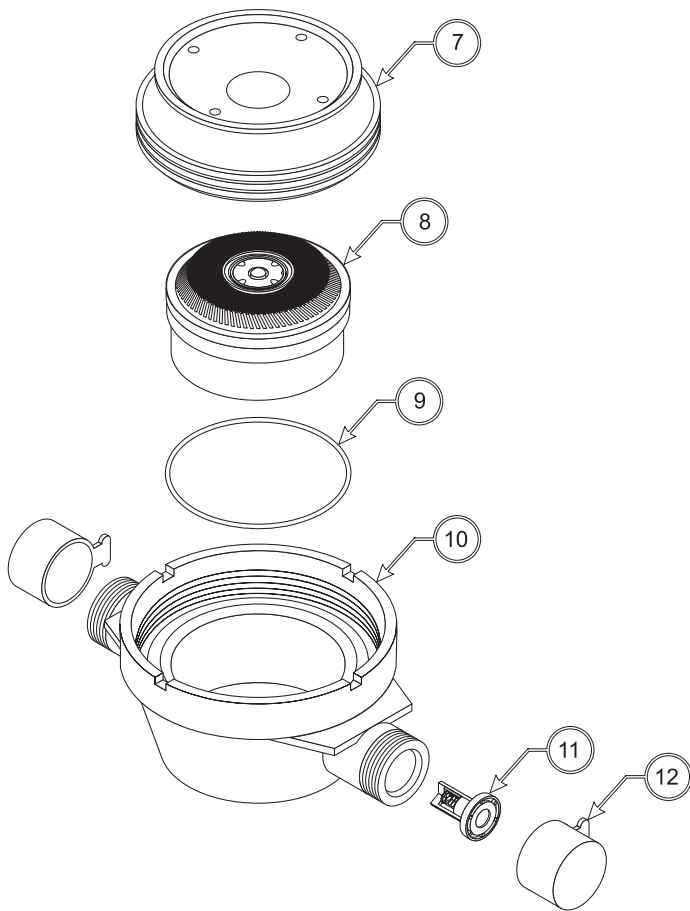
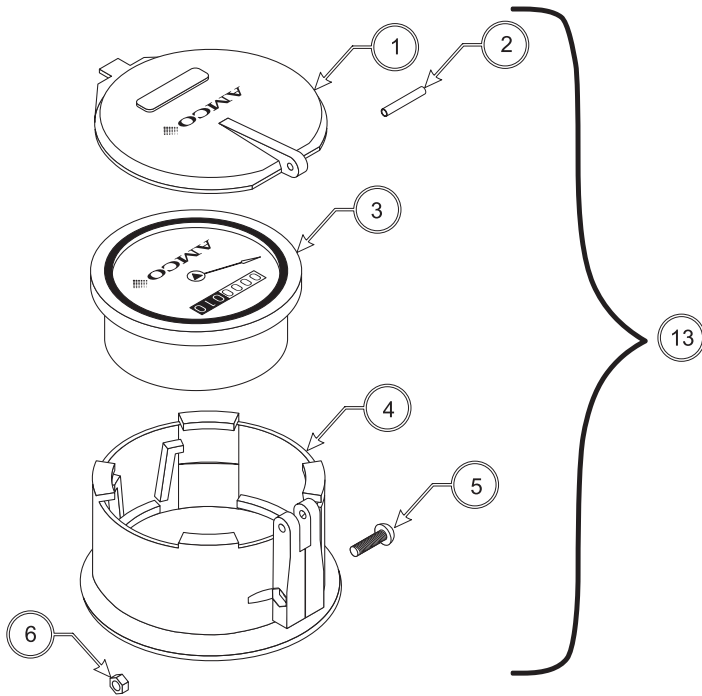
AMCO Water Metering Systems
P. O. Box 225
Carretera 112 KM 2.3
Isabela, PR 00662
787-872-2006
FAX: 787-872-5427
e-mail:
prwatermeters@amcowater.com

Mexico

Elster Medidores
Lago Omega #281
Col. Modelo Pensil.
Del. Miguel Hidalgo
C P 11460
525 55 203 8002
FAX: 525 55 203 8270
email:
amcowater@prodigy.net.mx

©2003 AMCO Water Metering Systems Inc. All rights reserved.

AMCO

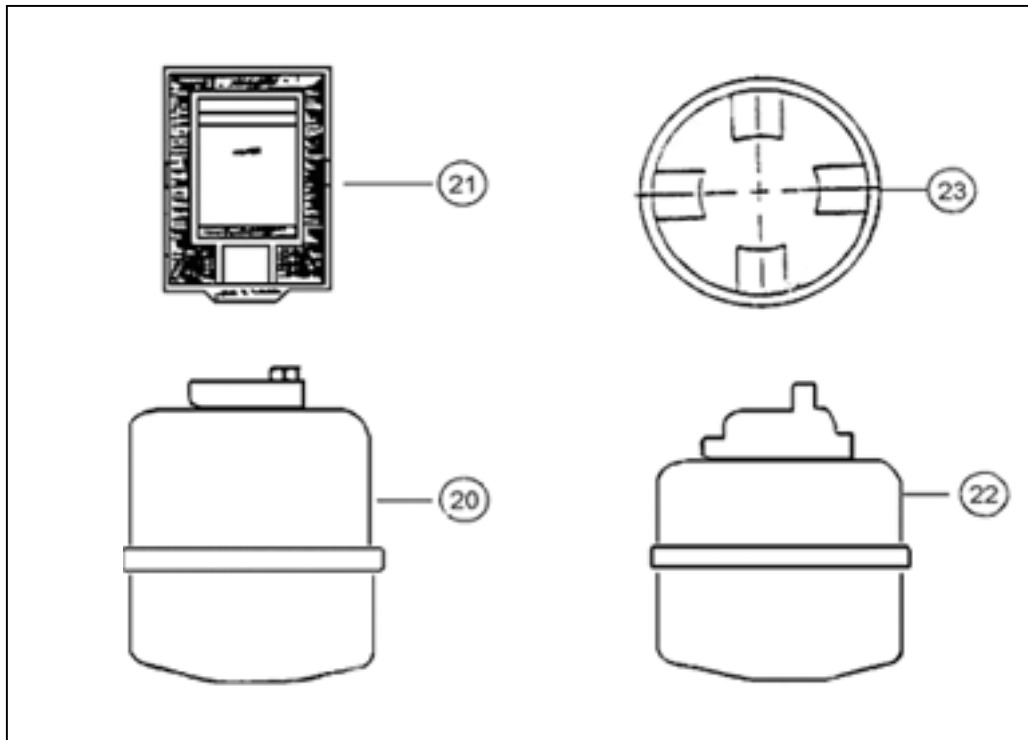


WHEN ORDERING PARTS FROM THIS PARTS/PRICE LIST, PLEASE PROVIDE:

- a. Model C700 Polymer
- b. Size $5/8" \times 1/2"$, $5/8" \times 3/4"$, $3/4" \times 3/4"$ or $3/4" \times 1"$
- c. Item Number of each part
- d. Description of each part
- e. Quantity of each part
- f. Price of each part
- g. Bulletin Number & Date

POLYMER C700

ITEM NO.	DESCRIPTION	PART PRICES	
		5/8" x 1/2" 5/8" x 3/4"	3/4" x 3/4" 3/4" x 1"
1	Polymer Lid	\$ 1.00	\$ 1.00
2	Hinge Pin	.10	.10
3	Sealed Register Can US Gallons, Cubic Feet, Metric or Imp Gallons	16.30	16.30
4	Polymer Register Housing	3.10	3.10
5	Seal Bolt Drilled Tamperproof	.78 .19	.78 .19
6	Seal Nut	.05	.05
7	Body Pressure Plate	4.80	4.80
8	Measuring Chamber Complete	13.75	41.75
9	Body O-Ring	.40	.40
10	Body, Top Entry Polymer	11.25	14.50
11	Check Valve	3.30	3.30
12	Dust Cap (2)	.10	.10
13	Sealed Register with Polymer Housing and Lid US Gallons, Cubic Feet, Metric or Imp Gallons	22.44	22.44



ABSOLUTE ENCODER AND REMOTE READOUT C700

ITEM NO.	DESCRIPTION	PARTS PRICES	
		5/8" x 1/2" 5/8" x 3/4"	3/4" x 3/4" 3/4" x 1"
20	Sealed Generator Can*	\$ 25.30	\$ 25.30
21	Remote Wall Unit*	17.50	17.50
22	Encoder Register*		
	a. Plastic Lens	83.45	83.45
	b. Glass Lens & Pit Reading Pad	86.45	86.45
23	Wall Reading Pad	10.95	10.95
	Digital Register*		
Not shown	a. Plastic Lens	77.00	77.00
Not shown	b. Glass Lens	89.00	89.00

* Specify US Gallons, Cubic Feet, Metric or Imperial Gallons.

C700 TOOLS AND REMOTE WIRE	PART PRICES
Torx® T-15 Screwdriver	\$ 12.00*
Torx® T-25 Screwdriver	14.00*
Direct Read Test Dial	4.00*
Remote Read Wall Tester	50.00*
Lead Seal (Each)	.06
Sealing Wire (Each)	.12
Remote Wire (Each Ft)	
2 Conductor Wire	.13
3 Conductor Wire	.16
4 Conductor Wire	.21

TORX® is a registered trademark of Camcar Division of Textron, Inc.

Prices are list Ocala, Florida.

*Net Prices

Prices subject to change without notice.
These products are designed for use only with potable water below 120°F.

The company's policy is one of continuous product improvement and the right is reserved to modify the specifications contained herein without notice.

NOTE: All Prices \$ U.S.

C7PL-P-P-5834/02-03