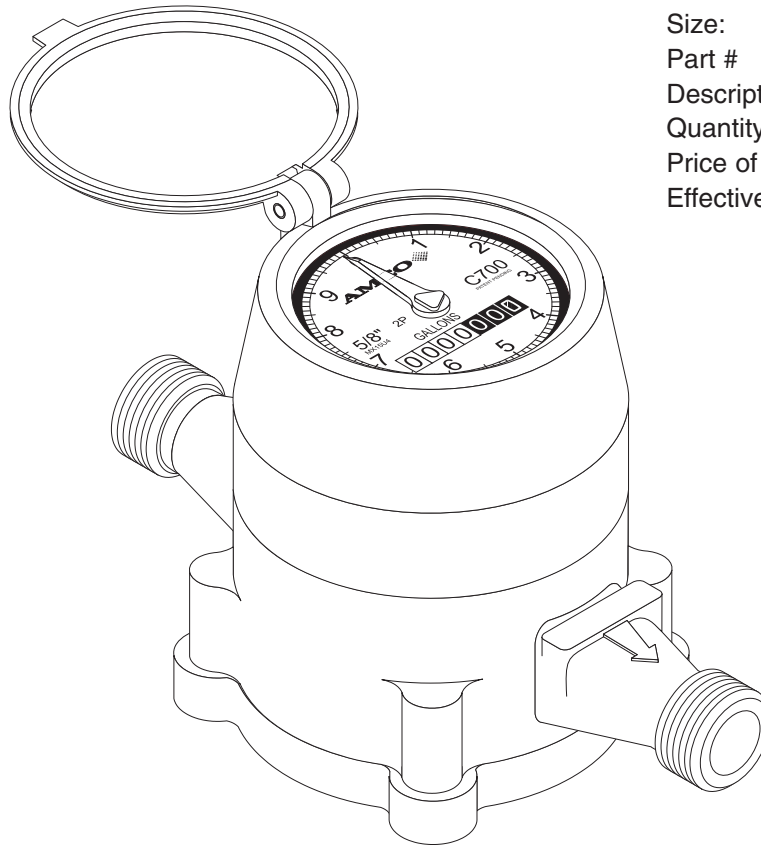


**Industrial C700 Waterworks and Low-lead Bronze
Positive Displacement Cold Water Meters**

5/8", 3/4" and 1"



When ordering parts, please include:
Model: Industrial C700
Size:
Part #
Description
Quantity of each part
Price of each part
Effective Date: April 30, 2003

AMCO Water Metering Systems Inc.
www.amcowater.com

United States
AMCO Water Metering Systems
P.O. Box 1852
Ocala, FL 34478-1852
352-732-4670 FAX 352-368-1950
Outside FL: 800-874-0890
Inside FL: 800-356-6829
e-mail: watermeters@amcowater.com

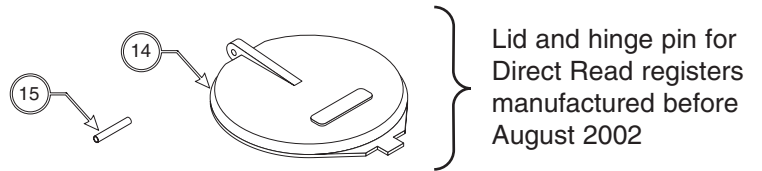
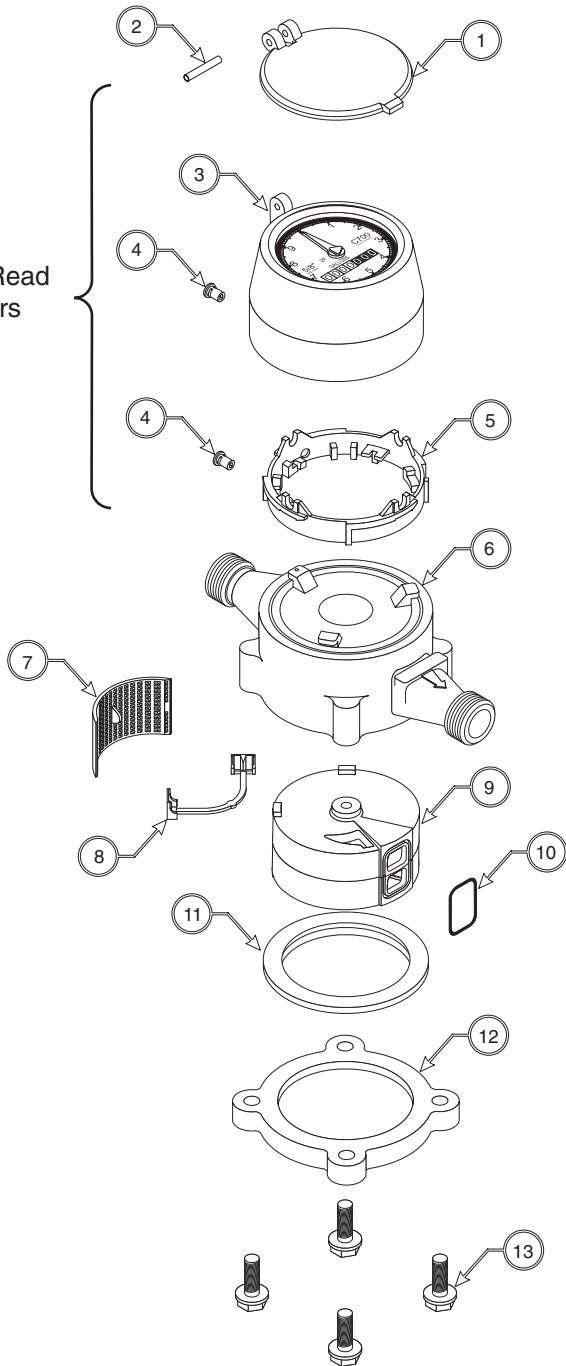
Canada
Elster Metering
3450 Harvester Road
Burlington, Ontario L7N 3W5
866-703-7582
905-634-4895
FAX 905-634-6705
e-mail: watermeters@ca.elster.com

Caribbean
AMCO Water Metering Systems
P.O. Box 225
Carretera 112 KM 2.3
Isabela, PR 00662
787-872-2006
FAX 787-872-5427
e-mail: prwatermeters@amco.com

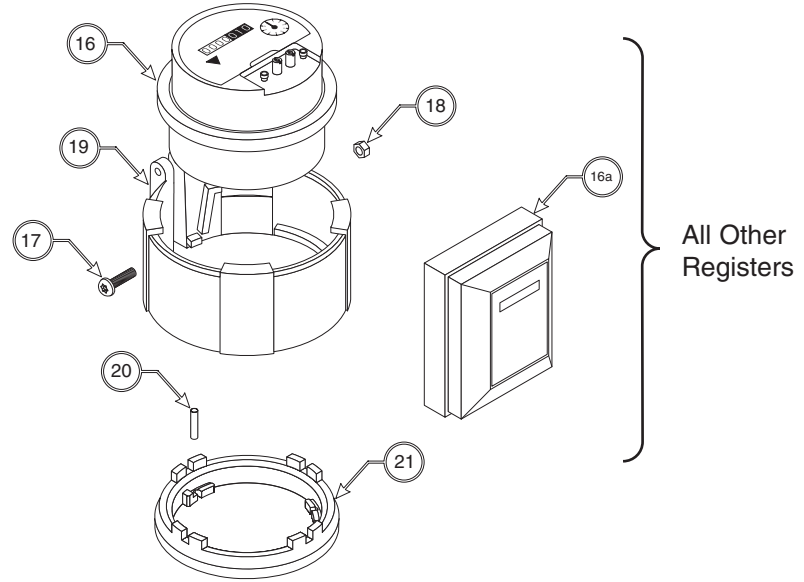
Mexico
Elster Medidores
Lago Onega #281
Col. Modelo Pensil.
Del. Miguel Hidalgo
CP 11460
525 55 203 8002
FAX 525 55 203 8270
e-mail: amcowater@prodigy.net.mx

IND-C7-P-P-58341/04-03

Direct Read Registers



Lid and hinge pin for Direct Read registers manufactured before August 2002



All Other Registers

Note: When ordering a direct read register replacement for meters manufactured before August 2002, parts 1 through 5 are required.

Industrial Bronze C700 Parts/Prices - 5/8" to 1"

Note: When ordering a replacement Direct Read register for meters manufactured before 8/2002 parts 1 thru 5 are required.

ILL. NO.	Description		5/8" x 1/2"	5/8" x 3/4"	3/4" x 3/4" (7.5")	3/4" x 3/4" (9")	3/4" x 1"	1"
1	Lid: Polymer	Price	\$1.00	\$1.00	\$1.00	\$1.00	\$1.00	\$1.00
		Part #	BTA8028	BTA8028	BTA8028	BTA8028	BTA8028	BTA8028
	Lid: Bronze	Price	\$3.45	\$3.45	\$3.45	\$3.45	\$3.45	\$3.45
		Part #	BTA0114	BTA0114	BTA0114	BTA0114	BTA0114	BTA0114
2	Hinge Pin	Price	\$0.10	\$0.10	\$0.10	\$0.10	\$0.10	\$0.10
		Part #	2287M2695	2287M2695	2287M2695	2287M2695	2287M2695	2287M2695
3	Direct Read Register & Polymer Housing	Price	\$22.45	\$22.45	\$22.45	\$22.45	\$22.45	\$22.45
	Gallons	Part #	MX15UAPLH	MX15UAPLH	MX20UAPLH	MX20UAPLH	MX20UAPLH	MX25UAPLH
	Cubic Feet	Part #	MX15FAPLH	MX15FAPLH	MX20FAPLH	MX20FAPLH	MX20FAPLH	MX25FAPLH
	Other Units		Contact Customer Service					
	Direct Read Register & Bronze Housing	Price	\$29.25	\$29.25	\$29.25	\$29.25	\$29.25	\$29.25
	Gallons	Part #	MX15UABZH	MX15UABZH	MX20UABZH	MX20UABZH	MX20UABZH	MX25UABZH
	Cubic Feet	Part #	MX15FABZH	MX15FABZH	MX20FABZH	MX20FABZH	MX20FABZH	MX25FABZH
	Other Units		Contact Customer Service					
4	Tamper-Resistant Plug (2) per meter	Price	\$0.30	\$0.30	\$0.30	\$0.30	\$0.30	\$0.30
		Part #	BTA8029	BTA8029	BTA8029	BTA8029	BTA8029	BTA8029
5	Adapter Ring	Price	\$1.60	\$1.60	\$1.60	\$1.60	\$1.60	\$1.60
		Part #	BTA8027	BTA8027	BTA8027	BTA8027	BTA8027	BTA8027
1 thru 5	Complete Assembly with Polymer Housing	Price	\$29.20	\$29.20	\$29.20	\$29.20	\$29.20	\$29.20
	Gallons	Part #	MX15U4PLH	MX15U4PLH	MX20U4PLH	MX20U4PLH	MX20U4PLH	MX25U4PLH
	Cubic Feet	Part #	MX15F4PLH	MX15F4PLH	MX20F4PLH	MX20F4PLH	MX20F4PLH	MX25F4PLH
	Other Units		Contact Customer Service					
1 thru 5	Complete Assembly with Bronze Housing	Price	\$36.00	\$36.00	\$36.00	\$36.00	\$36.00	\$36.00
	Gallons	Part #	MX15U4BZH	MX15U4BZH	MX20U4BZH	MX20U4BZH	MX20U4BZH	MX25U4BZH
	Cubic Feet	Part #	MX15F4BZH	MX15F4BZH	MX20F4BZH	MX20F4BZH	MX20F4BZH	MX25F4BZH
	Other Units		Contact Customer Service					
6	Body: Waterworks Bronze	Price	\$12.30	\$12.30	\$28.75	\$28.75	\$32.90	\$45.70
		Part #	MEN0905	MEN0904	CAB0023	CAB0022	CAB0024	CAB0078
	Body: Low-lead Bronze	Price	\$13.30	\$13.30	\$29.75	\$29.75	\$33.90	\$46.70
		Part #	CAB0180	CAB0179	CAB0182	CAB0181	CAB0183	CAB0184
7	Strainer	Price	\$1.00	\$1.00	\$1.00	\$1.00	\$1.00	\$1.70
		Part #	MEN0634	MEN0634	CAB0020	CAB0020	CAB0020	CAB0089
8	Chamber Locking Tab	Price	\$0.15	\$0.15	\$0.15	\$0.15	\$0.15	\$0.20
		Part #	MEN0633	MEN0633	MEN0633	MEN0633	MEN0633	CAB0090
9	Measuring Chamber (complete)	Price	\$13.34	\$13.34	\$41.33	\$41.33	\$41.33	\$66.89
		Part #	MEN4079	MEN4079	LAB0243	LAB0243	LAB0243	LAB0593
10	Chamber Port O-ring	Price	\$0.20	\$0.20	\$0.25	\$0.25	\$0.25	\$0.25
		Part #	2412M4001	2412M4001	2412M4002	2412M4002	2412M4002	2412M4003
11	Bottom Liner	Price	\$1.30	\$1.30	\$1.30	\$1.30	\$1.30	\$2.40
		Part #	MEN0080	MEN0080	MEN0080	MEN0080	MEN0080	CAB0130
12	Bottom Plate: Polymer	Price	\$3.85	\$3.85	\$3.85	\$3.85	\$3.85	None
		Part #	MEN0635	MEN0635	MEN0635	MEN0635	MEN0635	None
	Bottom Plate: Cast Iron	Price	\$3.85	\$3.85	\$3.85	\$3.85	\$3.85	\$7.30
		Part #	MEN0834	MEN0834	MEN0834	MEN0834	MEN0834	CAB0079
	Bottom Plate: Waterworks Bronze	Price	\$6.80	\$6.80	\$6.80	\$6.80	\$6.80	\$15.50
		Part #	MEN0637	MEN0637	MEN0637	MEN0637	MEN0637	CAB0081
	Bottom Plate: Low-lead Bronze	Price	\$7.80	\$7.80	\$7.80	\$7.80	\$7.80	\$16.50
		Part #	BTA0044	BTA0044	BTA0044	BTA0044	BTA0044	BTA0045
13	Bottom Bolts *	Price	\$0.40	\$0.40	\$0.40	\$0.40	\$0.40	\$0.50
		Part #	2137M3210	2137M3210	2137M3210	2137M3210	2137M3210	2137M3237

* 4 required for 5/8" and 3/4" sizes; 6 required for 1"

