

- **Improves revenue versus traditional mechanical meters**
 - ❑ Provides broad flow range, highest accuracy
 - ❑ Retains accuracy
 - No moving parts to wear and lose accuracy
 - ❑ Flow-profile conditioning sensor
 - ❑ Tolerant of poor upstream and downstream conditions
 - ❑ Bi-directional as standard
 - Equally accurate for forward and reverse flows

- **Offers lowest installation cost**
 - ❑ 'Fit and Flow™'
 - Foolproof installation
 - No on-site set-up
 - ❑ Compact & lightweight option to compound mechanical designs
 - Minimal personnel & equipment required for installation
 - Smaller size allows installation where mechanical meters are cost-prohibited
 - ❑ Submersible sensor & electronic display unit
 - Including flooded pits
 - ❑ Buriable sensor
 - Eliminates vaults
 - ❑ No strainer required
 - High accuracy unaffected by debris or turbulence
 - ❑ Battery powered option
 - Facilitates installation in remote locations
 - No external power supply required

- **Reduces operating/maintenance cost**
 - ❑ No moving parts to wear and lose accuracy
 - ❑ No strainer clean-out or valve maintenance
 - ❑ 3-year battery life
 - ❑ AC power not required
 - ❑ Lowers inventory cost

- **Flexibility**
 - ❑ Tariff function
 - Programmable for daily, weekly and seasonal rates
 - ❑ Encoder output
 - Compatible AMR Systems: Drive-by, Walk-by and Fixed Network Radio Frequency systems



AquaMaster™
electronics - the next
generation in water metering

The Next Generation

Commercial Water Flow Meter

AquaMaster™, available in sizes 5/8" to 24" (15 to 600 mm), is the total solution for flow measurement in the water industry. Outstanding performance, innovative features and user benefits, coupled with low cost of ownership ensures that AquaMaster™ is the first choice for bulk revenue, fire service, custody transfer and production metering.

AquaMaster™ has been designed specifically for the water industry in response to its stringent demands for enhanced metering capability; enabling ever more efficient and cost effective operation and compliance with increasing legal requirements.

In addition to high measurement performance the AquaMaster offers reading of totalizers via the industry standard inductive pad reader or radio frequency automatic meter reading. This feature allows easy access to billing information without the need to physically access the meter.



No External Power Required for Remote Locations

- No external power supply (2 internal batteries)
- 3-year battery life (28 months on 14" meters or larger)
- Site-replaceable batteries
- Unique battery management system gives a battery replacement window in excess of 1 year, with no flat-battery interruption to measurement.

AquaMaster™ is the ideal solution for locations where there is no external power. Through new design technology two user-replaceable internal batteries provide a 3-year battery life, thus eliminating the high cost of providing a power supply to the meter.

Typical Applications

- Bulk revenue
- Custody transfer
- Production metering
- Treated effluent

New Performance Standards

Calibration Characteristics for AquaMaster

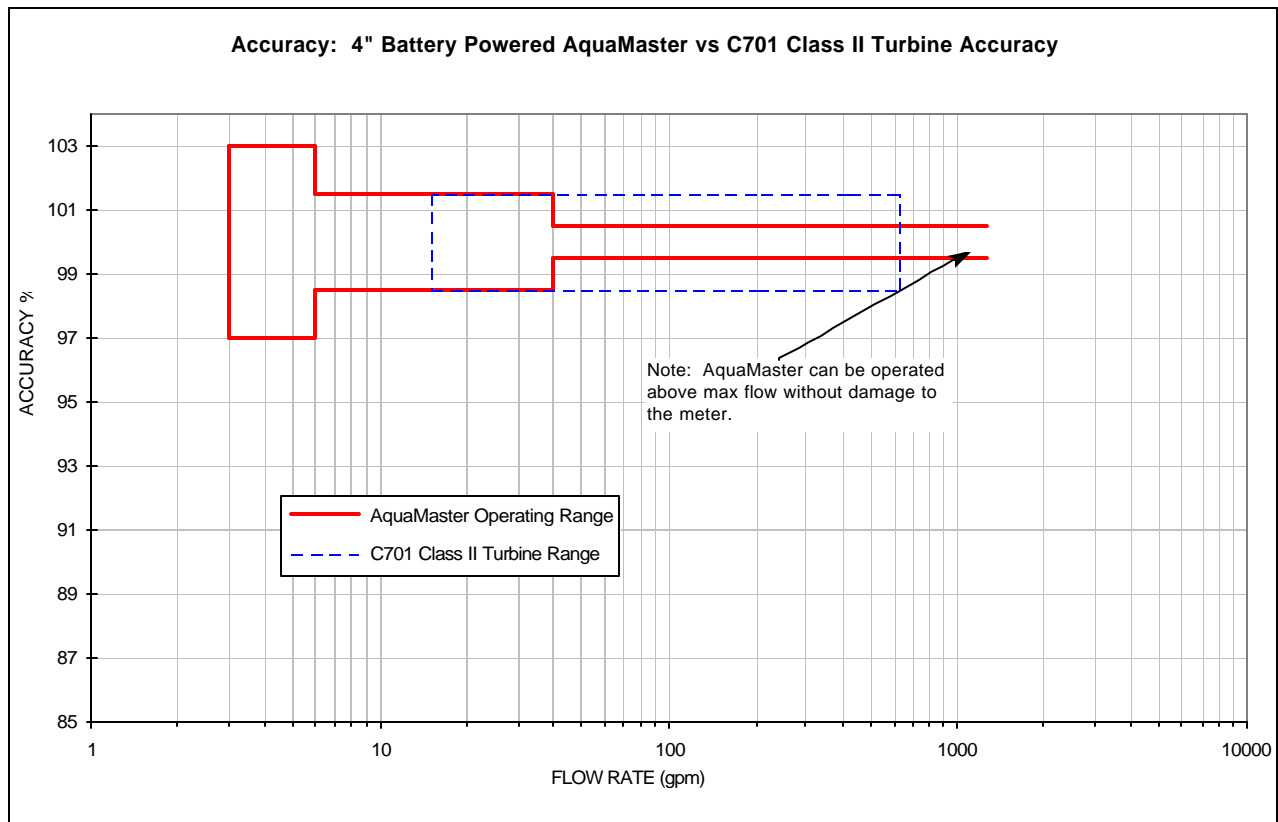
The broadest flow range, optimum accuracy and long-term stable calibration means that AquaMaster sets new performance standards in the water industry.

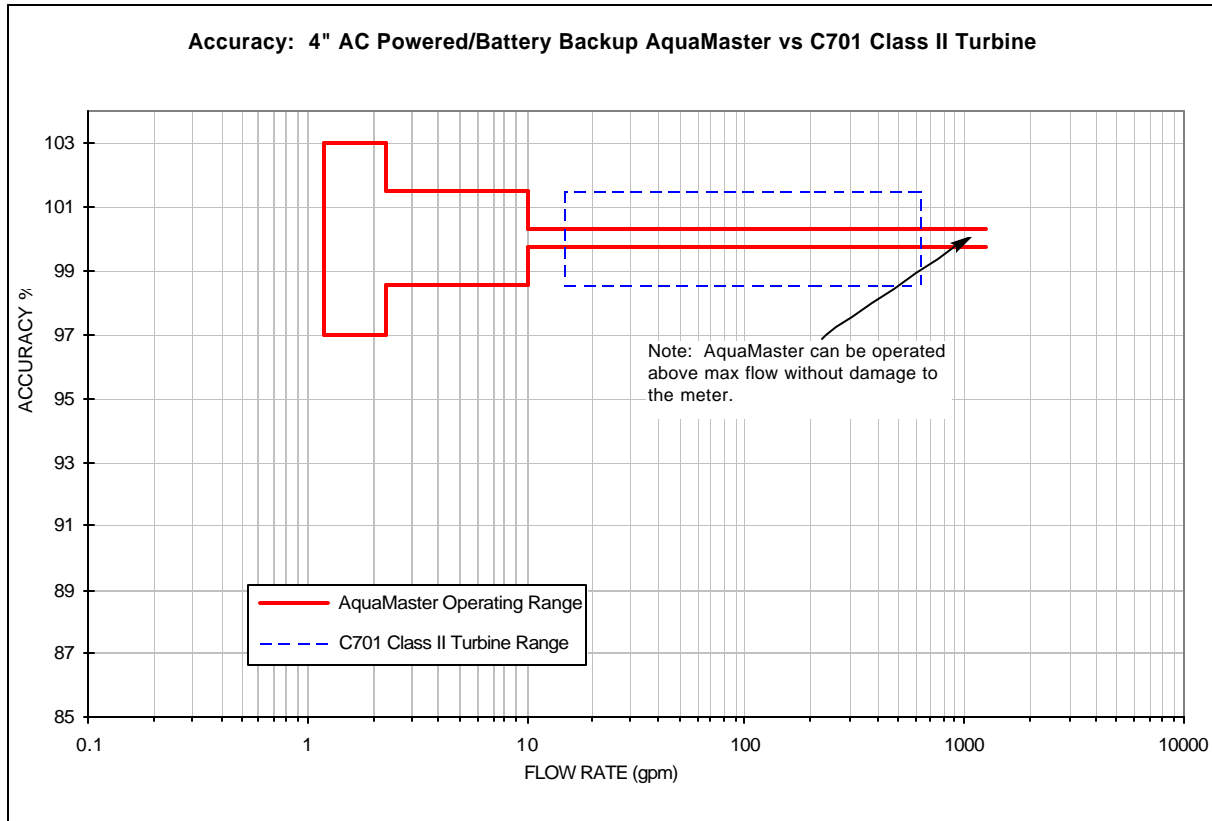
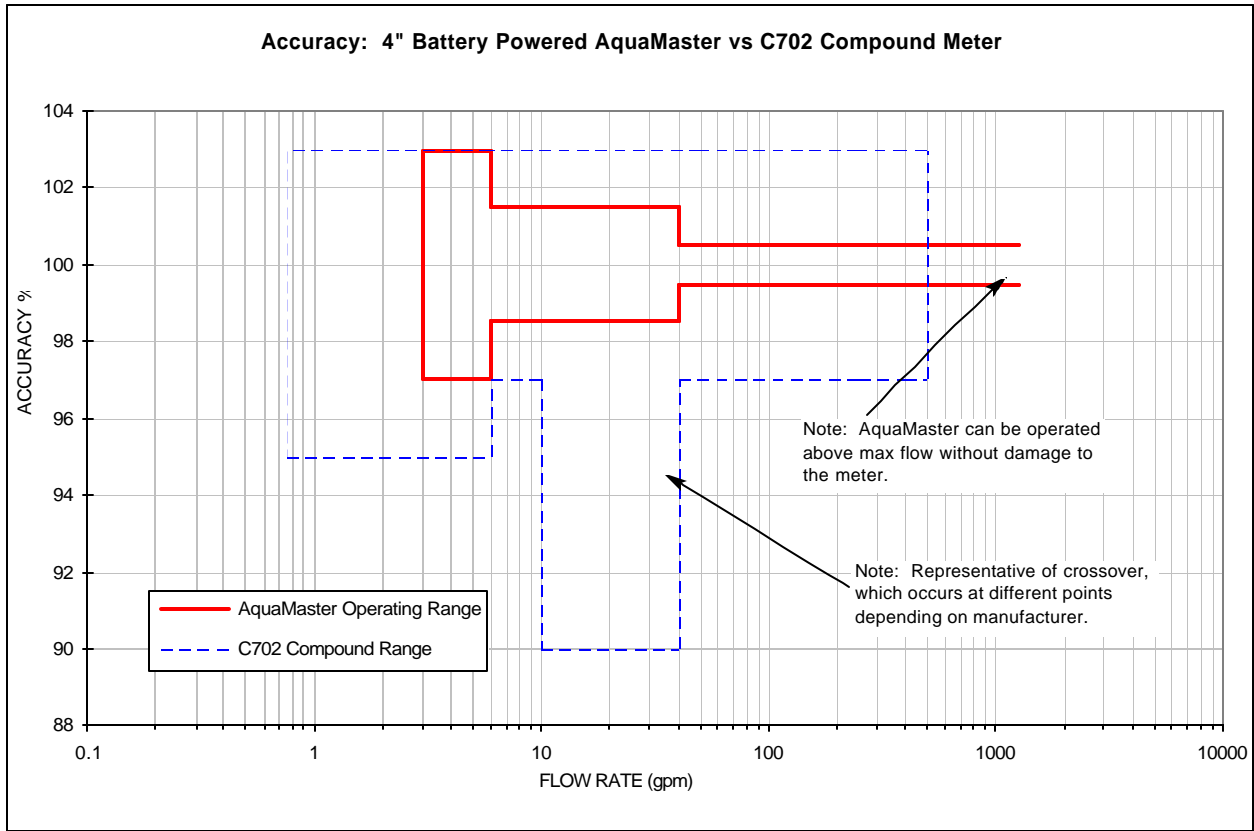
Using the 4" AquaMaster as an example, the charts below illustrate AquaMaster's performance versus new mechanical meters. Compared to AWWA 701 Class II Turbine Meters, AquaMaster measures significantly lower flows while more accurately measuring the entire turbine flow range.

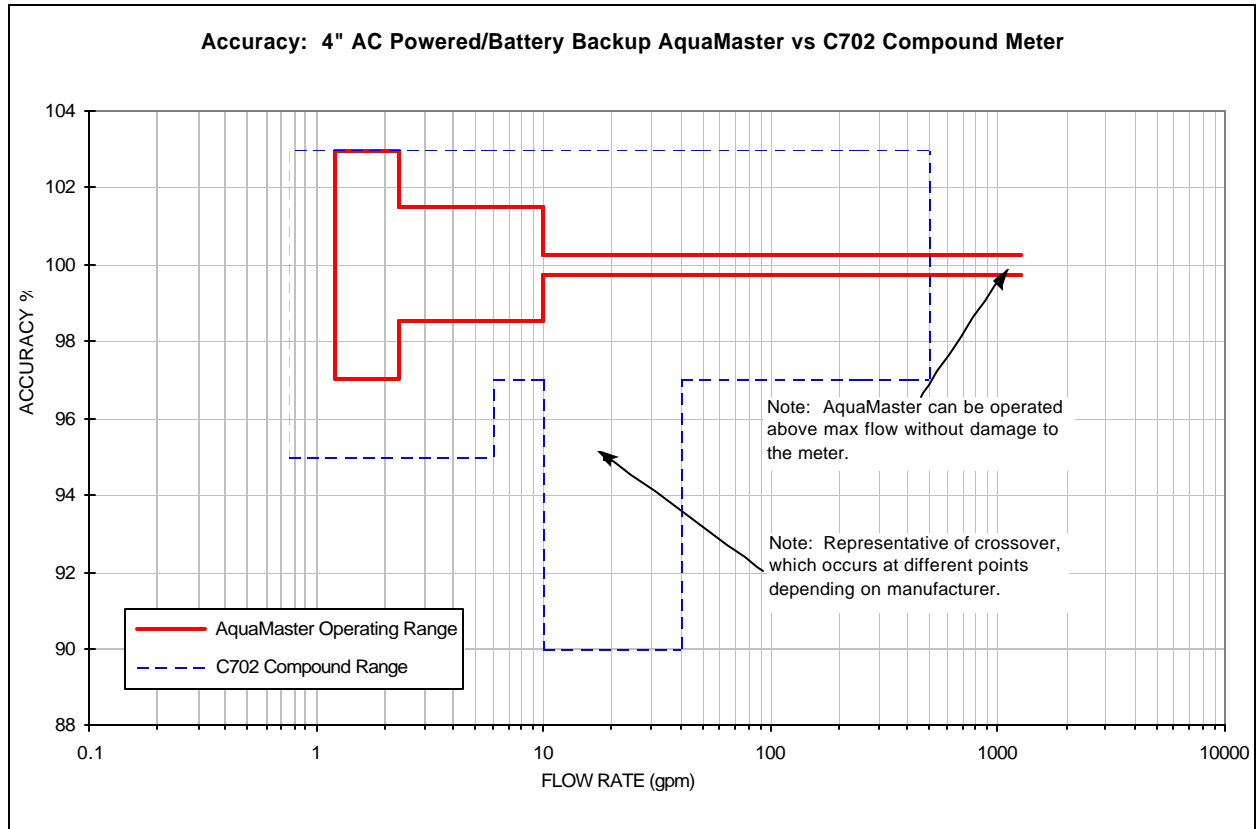
AquaMaster's high accuracy over a broad flow range also offers a revenue advantage over AWWA C702 Compound Meters. As illustrated for the 4" size, in addition to great accuracy at low flows and $\pm 1/2\%$ (battery) or $\pm 1/4\%$ (AC) for normal and high flows, AquaMaster avoids the accuracy loss that occurs at crossover in Compound Meters.

The clear bore of the AquaMaster eliminates the possibility of damage by particulate matter and the absence of moving and wearing components ensures that this unique level of performance is maintained long term.

The design of the AquaMaster sensor conditions the flow profile in the measuring section so that distortions in the flow profile, either upstream or downstream, are flattened, resulting in excellent in situ meter performance, even with poor hydraulic installation conditions.







Electronic Display Unit

- Comprehensive display
- Submersible for use in flooded pits rated IP68 (NEMA 6)
- Resettable or secure totals
- 1/5" high displays for totals (exceeding AWWA register digit requirements)
- Total security:
2 user security levels
Anti-tamper seals and switch
- 3 outputs
(pulses and alarm)

The AquaMaster™ Electronic Display Unit provides the most comprehensive range of flow data and information currently available to the water industry. If all the data is not required, the unit can be configured so that only the required values are displayed, thus ensuring simple reading with no superfluous data. Likewise, the display is available for top or side viewing, depending on the location of the meter, for easy reading in all locations.

Standard Tariff Setting

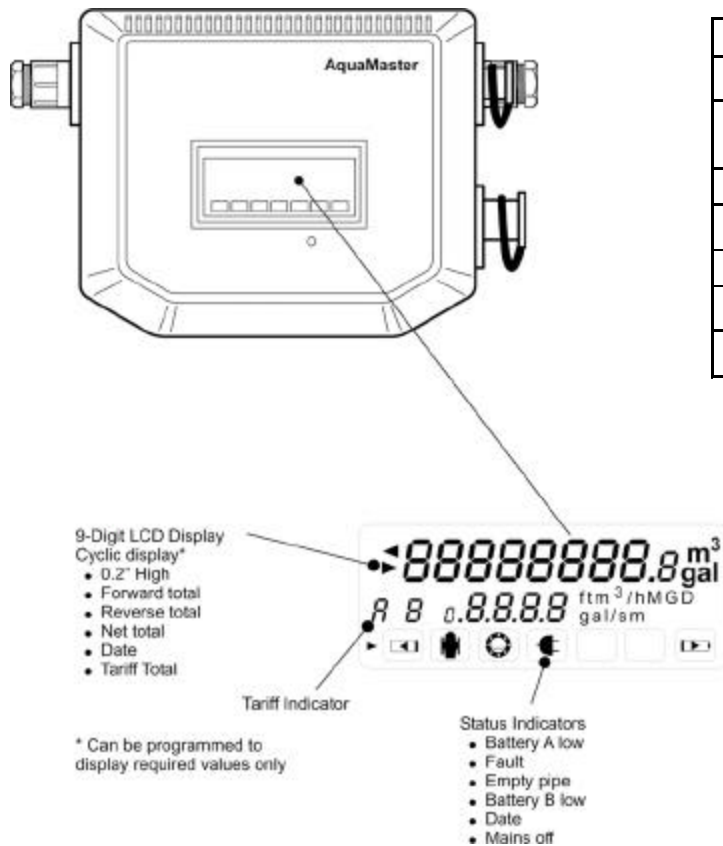
AquaMaster incorporates a multiple tariff feature where the accumulated flow volume is routed to one of two 8-digit signed tariffs; tariff A and tariff B, depending on time and date. It is fully programmable by the user for time of day, day of week or date during the year. These user-defined times/dates can be combined in a variety of modes as illustrated in the tables below.

Weekly Cycle Defined

Mode	Tariff A	Tariff B
1	Day time during weekend	Night time at weekend + day and night during week
2	Day time during week	Night time during week + day and night during weekend
3	All day times	All night times
4	Night time during weekend	Day time during weekend + day and night during week
5	Day and night during weekend	Day and night during week
6	Day time during weekend + night time during weekend	Night time during week + day time during weekend
7	All day times + night time during weekend	Night time during week

Yearly Cycle Defined

Mode	Tariff A	Tariff B
1	Day time during summer	Night time during summer + day and night during winter
2	Day time during winter	Night time during winter + day and night during summer
3	All day times	All night times
4	Night time during summer	Day time during summer + day and night during winter
5	Day and night during summer	Day and night during winter
6	Day time during winter + night time during summer	Night time during winter + day time during summer
7	All day times + night time during summer	Night time during winter



Electronic Water Meter

AquaMaster™

Easy, Low Cost Installation

No matter what the location or installation requirements, AquaMaster™ provides a cost-effective solution.

Both the sensor and the Electronic Display Unit are fully submersible, enabling installation in flooded meters vaults.

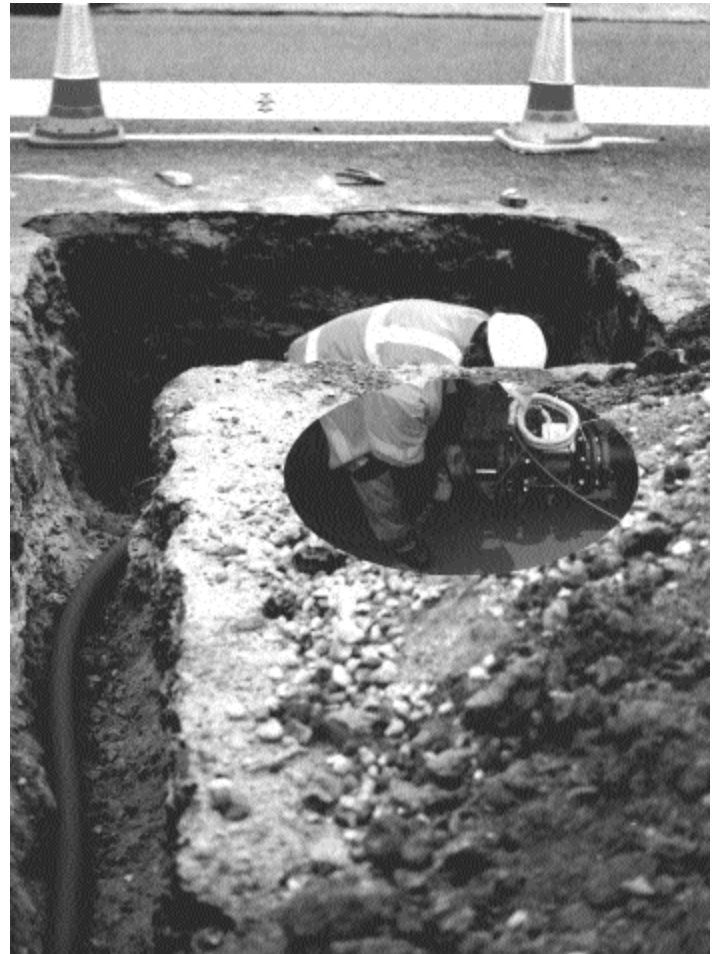
In addition, the sensor is buriable, thus eliminating the expense of a vault. Installation merely involves excavating to the pipeline, fitting the sensor and back filling the hole, to ensure very fast, low cost installation. The associated Electronic Display Unit is then located in the most convenient position for the user.

For new installations, the elimination of ancillary items (such as strainers) reduce material and installation cost. AquaMaster's compact size allows easy replacement of compound or turbine with the addition of spool pieces.

These factors, together with the innovative 'Fit and Flow™' system, ensure foolproof installation with total user confidence.

'Fit and Flow™'

- No need to match sensor and Electronic Display Unit
- Fast, reliable installation
- Foolproof, no errors
- Sensor stores all calibration factors, site settings, serial numbers, etc.
- Volume totalizer and tariff values backed-up in sensor for total security
- Multiple, programmable password levels stored for measurement security



Underground Installation of AquaMaster™

General Specification

AquaMaster - Operating Parameters

	Maximum Flow (gpm) AC: 99.75%-100.25% Bat: 99.5%-100.5%	Continuous Duty Flow (gpm) AC: 99.75%-100.25% Bat: 99.5%-100.5%	Accuracy AC Powered				Accuracy Battery Powered		Head Loss at Continuous Flow (psi)
			Low Flow (gpm) 97%-103%	Low Flow (gpm) 98.5%-101.5%	Normal Flow (gpm) 99.75%-100.25%	Low Flow (gpm) 97%-103%	Low Flow (gpm) 98.5%-101.5%	Normal Flow 99.5%-100.5%	
5/8"	22	18	0.03	0.06	0.33	0.08	0.15	1.0	8.2
3/4"	35	28	0.05	0.09	0.55	0.12	0.23	1.7	7.1
1"	55	44	0.08	0.15	0.77	0.19	0.37	2.2	8.9
1 1/2"	136	110	0.19	0.37	6.60	0.46	0.92	6.6	7.1
2"	220	176	0.3	0.60	6.60	0.74	1.47	10.0	6.8
3"	756	440	0.8	1.50	8.80	1.84	3.67	26	7.0
4"	1,268	700	1.2	2.30	10	3.0	5.9	40	7.1
6"	2,838	1,760	3	6	30	7.5	15	101	8.9
8"	3,658	2,770	4.5	9	60	11.5	23	167	5.5
10"	5,855	4,400	7.5	15	90	18.5	37	264	6.9
12"	8,806	7,040	11.5	23	130	29.5	59	396	7.0
14"	8,806	7,040	23.5	47	352	73.5	147	528	3.5
16"	13,759	11,000	36.5	73	440	91.5	183	660	6.8
18"	19,263	15,400	51.5	103	570	128.5	257	859	8.3
20"	22,014	17,600	58.5	117	660	183.5	367	991	8.7
24"	34,673	27,700	92.5	185	1100	231.0	462	1651	5.3

AquaMaster Operating Parameters Compared to AWWA Class II Turbine Meters (C701)

	Maximum Flow		Continuous Duty Flow		Low Flow		Normal Flow	Head Loss at C701 SMOC	
	AquaMaster (gpm) AC: 99.75%-100.25% Bat: 99.5%-100.5%	C701-88 (gpm) 98.5% -101.5%	AquaMaster (gpm) AC: 99.75%-100.25% Bat: 99.5%-100.5%	C701-88 (gpm) 98.5%-101.5%	AquaMaster AC (gpm) 98.5%-101.5%	AquaMaster-Battery (gpm) 98.5%-101.5%	C701-88 (gpm) 98.5%-101.5%	AquaMaster (psi)	C701-88 (psi)
2"	220	160	176	100	0.6	1.47	4	5.63	7
3"	756	350	440	240	1.5	3.67	8	4.45	7
4"	1268	630	700	420	2.3	5.9	15	5.74	7
6"	2838	1400	1760	920	6	15	30	5.62	7
8"	3658	2400	2770	1600	9	23	50	4.11	7
10"	5855	3800	4400	2500	15	37	75	5.12	7
12"	8806	5000	7040	3300	23	59	120	3.54	7

AquaMaster Operating Parameters Compared to AWWA Compound Meters (C702) Part 1

	Maximum Flow		Continuous Duty Flow		Normal Flow
	AquaMaster (gpm) AC: 99.75% - 100.25% Bat: 99.5% - 100.5%	C702-92 (gpm) 97% -103%	AquaMaster (gpm) AC: 99.75%-100.25% Bat: 99.5% - 100.5%	C702-92 (gpm) 97% -103%	C702-92 (gpm) 97% - 103%
2"	220	160	176	80	2
3"	756	320	440	160	4
4"	1268	500	700	250	6
6"	2838	1000	1760	500	10
8"	3658	1600	2770	800	16
10"	5855	2300	4400	1150	32

AquaMaster Operating Parameters Compared to AWWA Compound Meters (C702) Part 2

	Low Flow				Head Loss at C702 SMOC		
	AquaMaster - AC (gpm)		AquaMaster - Battery (gpm)		C702-92 (gpm) 95% - 101%	AquaMaster (psi)	C702-92 (psi)
	97% - 103%	98.5% - 101.5%	97% - 103%	98.5% - 101.5%			
2"	0.3	0.6	0.7	1.47	0.25	5.63	20
3"	0.8	1.5	1.8	3.67	0.5	3.72	20
4"	1.2	2.3	3.0	5.9	0.75	3.62	20
6"	3	6	7.5	15	1.5	2.87	20
8"	4.5	9	11.5	23	2	1.83	20
10"	7.5	15	18.5	37	4	1.88	20

...General Specification

Wetted Materials

Screw End Meters
Brass

Flanged meters
Stainless Steel

Electrodes
Stainless Steel 316L

Lining
Suitable for potable water

Pressure Limitations
As flange rating

Conductivity
>50µS/cm

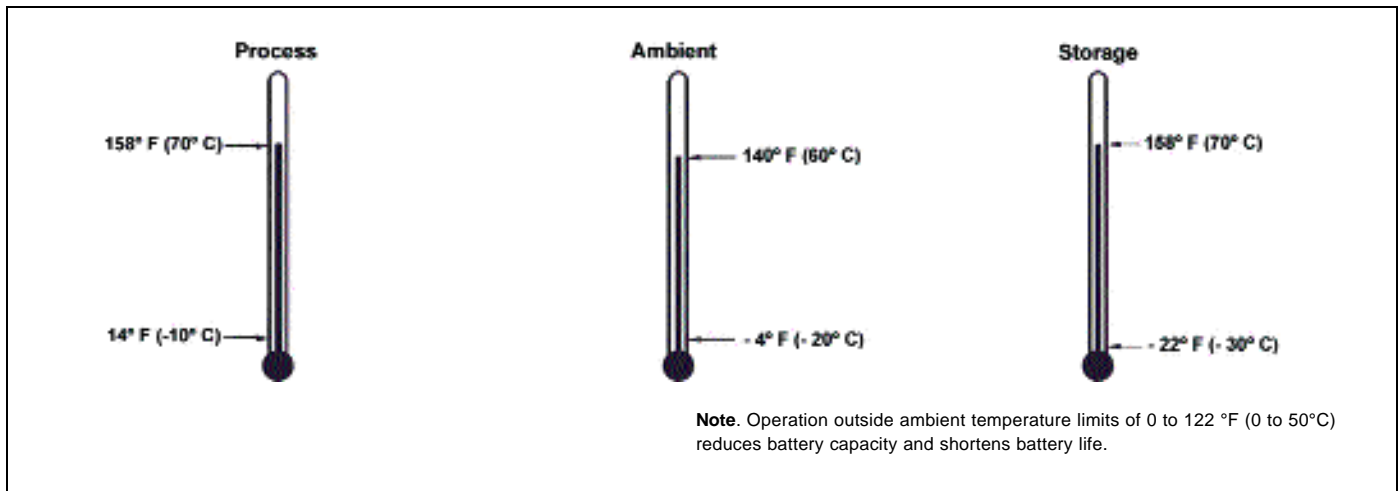
End Connections

Thread end connections
5/8" meter - 3/4" NPSM
3/4" meter - 1" NPSM
1" meter - 1 1/4" NPSM

1 1/2" to 12" (40 to 300mm) flanged
ANSI B16.5 1.5 Class 150
BS4504/ISO 7005 - PN16, PN10
AS 2129 Tables C, D and E
AS 4087/14, AS4087/16
JIS to BS2210, 5k, 10k and 30k
BS10 Tables D and E

14" to 24" (350 to 600mm) flanged
ANSI B16.5 1.5 Class 150
BS4504/ISO 7005 - PN10, PN16

Temperature Ranges



Electronic Display Unit

Mounting
Integral with sensor
or
Remote up to 650 ft (200m)

Housing
IP68 (NEMA 6P) Aluminum Alloy with Glass Window

Electrical Connections
20/16mm plastic glands, 20mm armored, or accepts 1/2 in. NPT threaded or military style plug & socket

Sensor Cable
AMCO cable supplied as standard
Special cable available on application
SWA cable available on application

Power Supply
Battery life @ 32 to 122°F (0 to 50°C)
1 battery - typically 1.2 years
2 batteries - typically 3 years (28 months for 14" meters or larger)

Type	Voltage Range (V) Absolute Rating	Frequency (Hz)	VA
AC	85 to 265	47 to 440	<10
Battery	3.6 (Lithium)	-	-

...Electronic Display Unit

Pulse and Alarm Outputs

Three bi-directional solid state switches with common isolation $\pm 35V$ DC 50mA.

- Output 1 Forward only, or forward plus reverse pulses
- Output 2 Reverse pulses, or direction indicator
- Pulse output 50Hz maximum, 50% nominal duty cycle
- Output 3 Alarm indicates any problems with the measurement or unit power

Encoder Interface

Function

Remote reading of totalizer and ID.

Protocol

AMCO Water Metering absolute encoder

Connections

2-wire for inductive reading pads (max. cable length 262 ft.)

3-wire for AMR

Compatible readers

T450

Logicon Versaprobe

Itron ERTs, Hexagram MTUs

Compatible inductive pads

AMCO Water Metering

Serial Data Communications

Local Port RS232 compatible via AMCO WMS lead (Option)

Remote Port (Option) RS232 with RI, RTS and CTS handshaking
(Not available with encoder output option)

Response Time (Programmable)

Minimum

1s (AC powered)

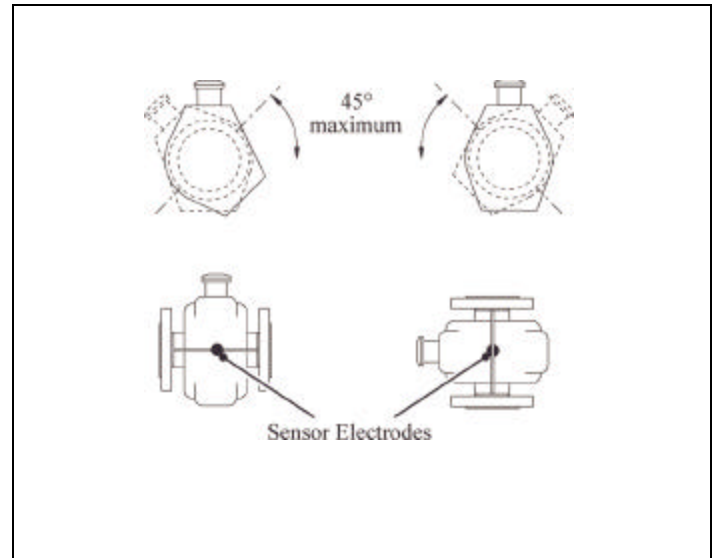
15s (battery powered)

Languages

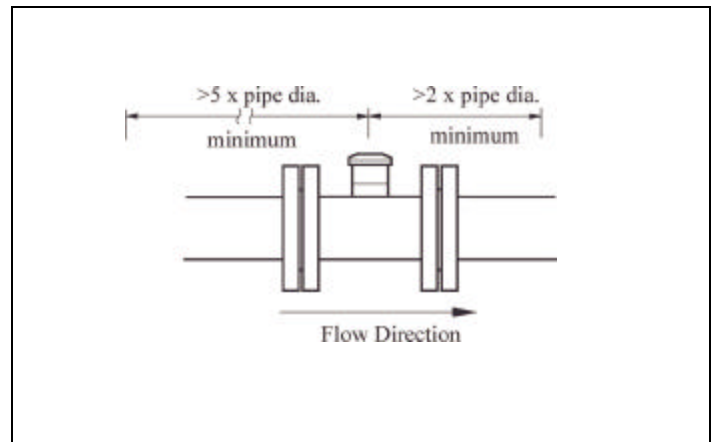
English
French
Spanish

Languages can be changed via Windows download program (contact AMCO Water)

Mounting



Pipe Conditions



...General Specification

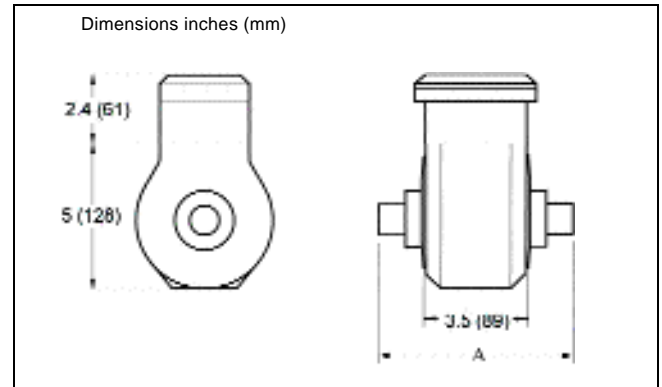
Default Settings Table

Configuration Parameter	Default North America
Pulse Factor	1
Pulse Units	Ugal
Totalizer Units	Ugal
Full Scale Flow	Iso 4064 Qn
Flow Units	MUGD
Velocity Units	ft/s
Date Format from Country Code	MMDDYY
Flow Response Time (s)	3
Display Flow Rate	Yes
Display Forward Total	Yes
Display Reverse Total	Yes
Display Net Total	No
Display Date	No
Display Velocity	No
Output Option Pulse Forward	Pulses Forward
Output Option Pulse Reverse	Pulses Reverse
Profile Factor	1
Probe Insertion Factor	1

Sensor Specification (nominal dimensions)

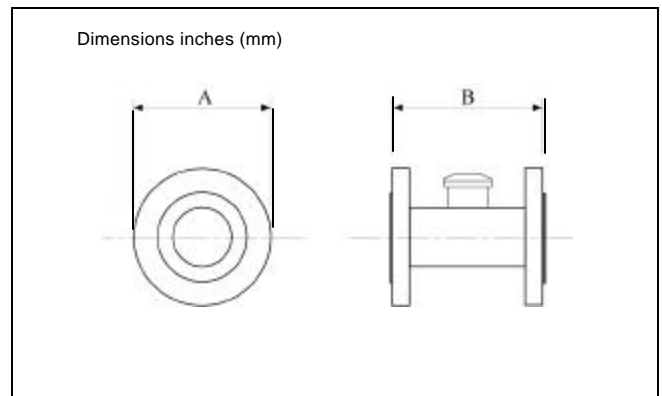
5/8" to 1" (15 to 25mm) - Screw Ends

Meter Size		Dimensions in. (mm)	Connection	Approx. Weight	
in.	mm	A		lb	kg
5/8	16	4.7 (119)	G 3/4 in. B or 3/4 in. NPSM	5	2.5
3/4	20	5 (127)	G 1 in. B or 1 in. NPSM	5	2.5
1	25	5 (127)	G 1 1/4 in. B or 1 1/4 in. NPSM	5	2.5



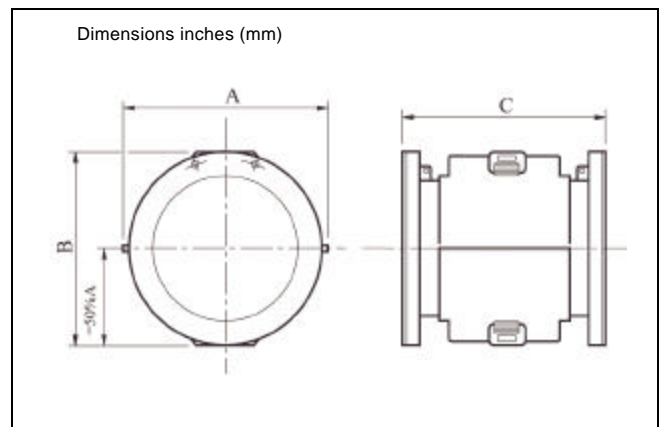
1 1/2" to 12" (40 to 300 mm) - Flanged

Meter Size		Dimensions in. (mm)		Approx. Weight	
in.	mm	A	B	lb	kg
1 1/2	40	7 (176)	7.9 (200)	20	9
2	50	7 (176)	7.9 (200)	23	10
3	80	8.6 (219)	7.9 (200)	40	18
4	100	9.8 (230.5)	9.8 (250)	54	24
6	150	11.8 (281)	11.8 (300)	84	38
8	200	15.8 (402)	13.8 (350)	81	37
10	250	17.3 (440)	17.7 (450)	132	60
12	300	18.9 (480)	19.7 (500)	154	70



14" to 24" (350 to 600 mm) - Flanged

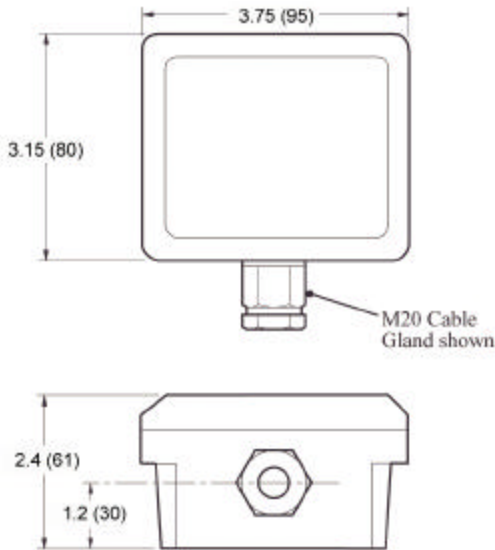
Meter Size		Dimensions in. (mm)			Approx. Weight	
in.	mm	A	B	C	lb	kg
14	350	20.2 (513)	20.5 (520)	21.7 (550)	220	100
16	400	22.4 (570)	22.7 (576)	23.6 (600)	253	115
18	450	24.9 (632)	24.7 (627)	27.5 (698)	352	160
20	500	27.0 (686)	26.7 (679)	30.2 (768)	455	217
24	600	30.4 (772)	30.3 (770)	36.1 (918)	693	315



Overall Dimensions

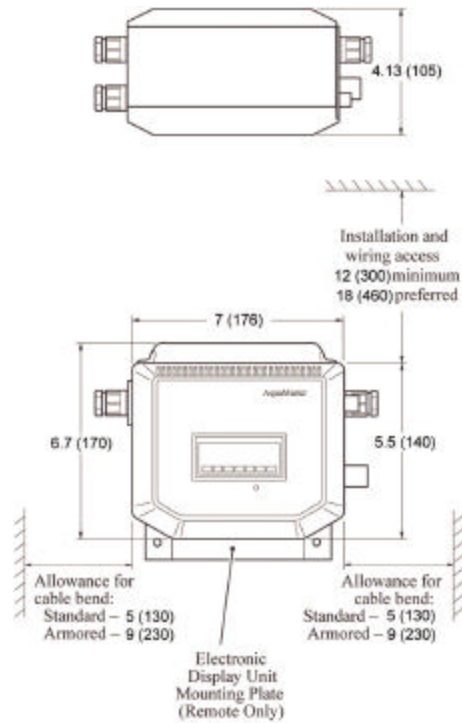
Terminal Box - Sensor Mounted

Dimensions inches (mm)



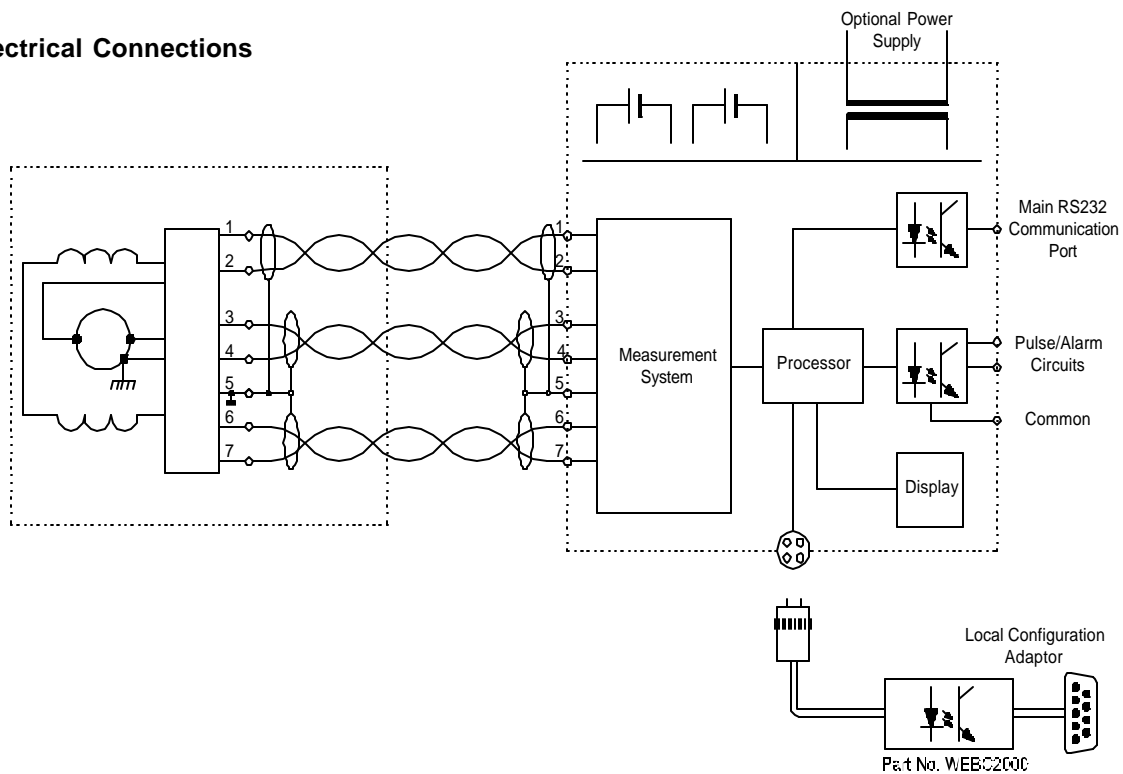
IP68/NEMA6P Metal Electronic Display Unit

Dimension inches (mm)



Note. For integral mounting, the Electronic Display Unit is supplied mounted on top of the terminal box.

Electrical Connections





AMCO Water Metering Systems Inc.
www.amcowater.com

United States

AMCO Water Metering Systems
P.O. Box 1852
Ocala, FL 34478-1852
352-732-4670 FAX 352-368-1950
Outside FL: 800-874-0890
Inside FL: 800-356-6829
email:
watermeters@amcowater.com

Caribbean

AMCO Water Metering Systems
P.O. Box 225
Carretera 112 KM 2.3
Isabela, PR 00662
787-872-2006
FAX 787-872-5427
email:
prwatermeters@amcowater.com

Canada

Elster Water
3450 Harvester Road
Burlington, Ontario L7N 3W5
866-703-7582
905-634-4895
FAX 905-634-6705
email:
watermeters@ca.elster.com

Mexico

Elster Medidores
Lago Onega #281
Col. Modelo Pensil.
Del. Miguel Hidalgo
C P 11460
525 55 203 8002
FAX 525 55 203 8270
email:
amcowater@prodigy.net.mx

AquaMaster is a trademark of ABB Inc.

© 2003 AMCO Water Metering Systems Inc. All rights reserved.

AM-TS/01-03